

## TITANUM-3 Lenses for Dragon LEDs



© LEDIL Oy 2007 - All rights reserved

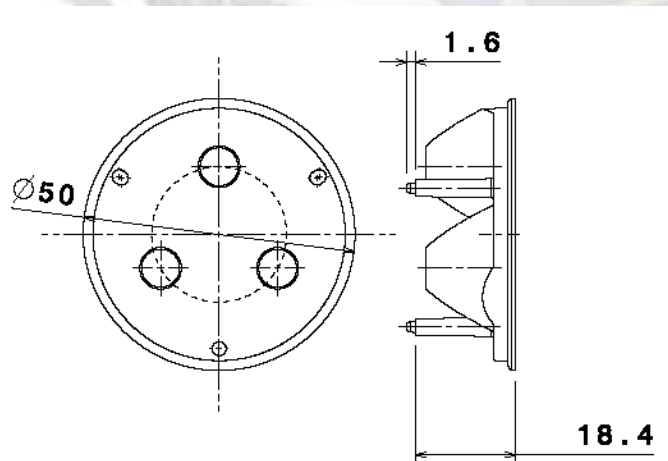
Use with Osram Dragon series of white and monochromate LEDs

- Lens material optical grade PMMA with high UV and temperature resistance (105°C/220°F)
- High optical efficiency, > 85%
- No lens holder. Fastening to heat sink with an adhesive tape
- Diameter 50 mm (MR16)
- Easy build of a complete luminaire using TITANUM-3, Dragon and heat sink
- Mechanical CAD models available upon request
- All 3 lens types have the same outer dimensions

### LENS TYPES

NAME	ORDERING CODE	FWHM Angle, Thinfilm, ThinGaN or chip coated white	FWHM Angle, White with volume casting
TITANUM-3 spot	TITANUM-3-S	±7°	±7°
TITANUM-3 medium	TITANUM-3-M	±15°	±15°
TITANUM-3 wide	TITANUM-3-W	±30°	±30°

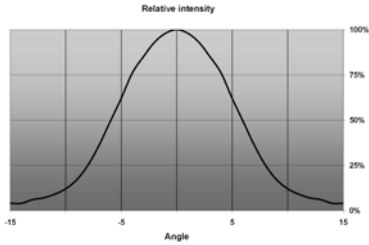
### DIMENSIONS



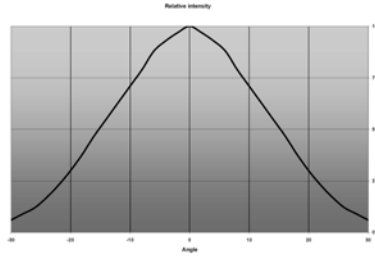
© Ledil Oy – PRELIMINARY - Subject to change without prior notice

## MEASUREMENT DATA & PHOTOGRAPHS

TITANUM-3-S



TITANUM-3-M



TITANUM-3-W

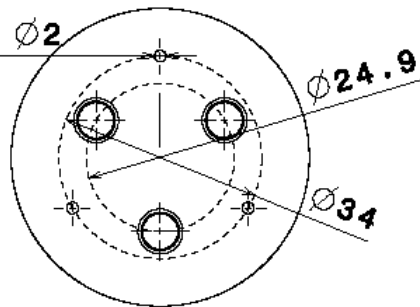
COMING  
SOON



COMING  
SOON

## PCB LAYOUT

Lens Pin Size  $\varnothing 2$



NOTE: 120° between each 2 lenses and each 2 lens pins

## PACKAGING

Lenses are packed in carton boxes of 384 pieces in each box.