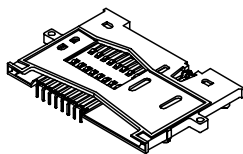
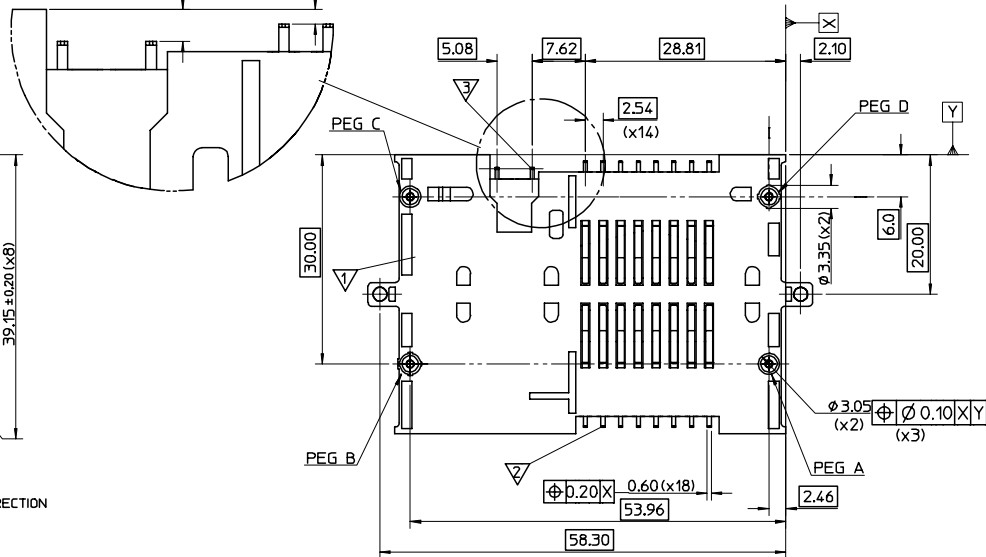
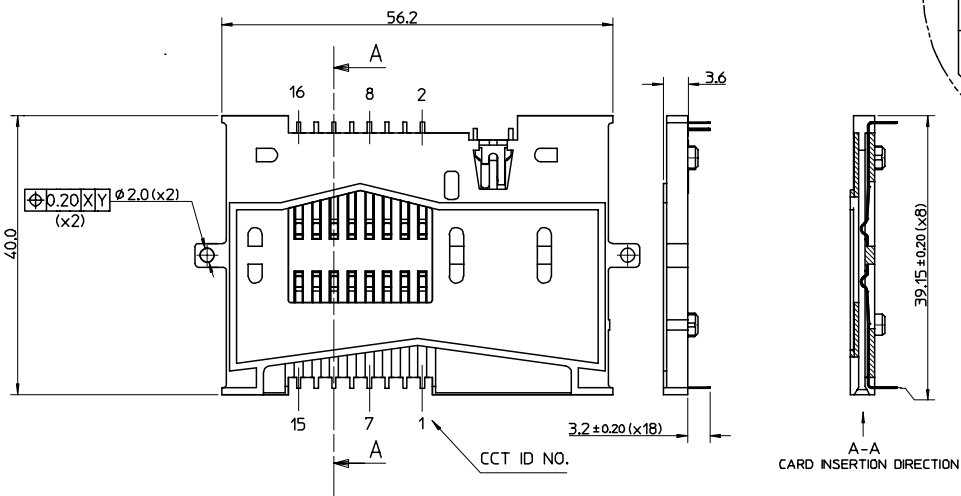
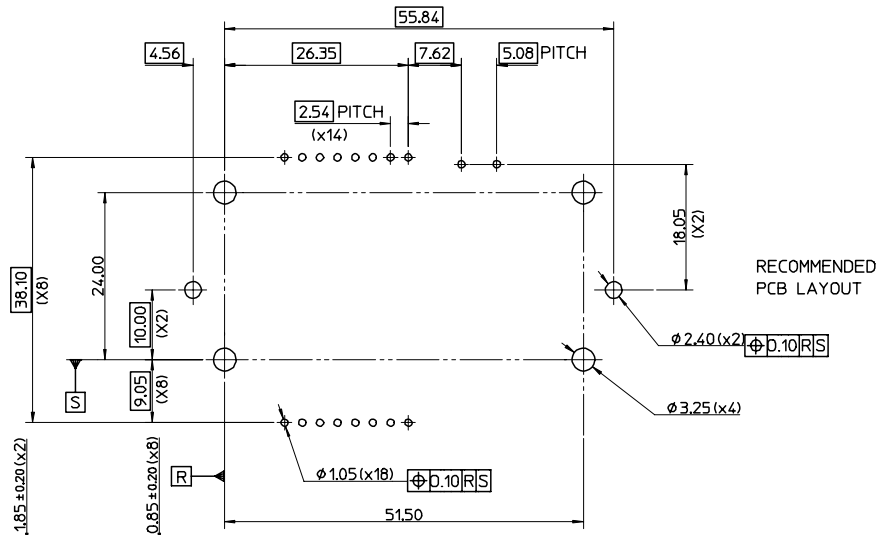


ITEM	COMPONENT	QTY	MATERIAL
▽	HOUSING	1	POLYAMIDE (PA46) ,45% GLASS FILL ,COLOUR BLACK
▽	SIGNAL TERMINAL	SEE CHART	0.20 REF. THK. PHOSPHOR BRONZE GOLD OVER NICKEL ON CONTACT AREA
▽	SWITCH CONTACT	1	TIN IN SOLDER AREA. NICKEL UNDERCOAT ALLOVER

PART NO.	CCT SIZE WITH PEGS	HOLD DOWN FEATURES	PART NO.	CCT SIZE WITH PEGS	HOLD DOWN FEATURES
91322-0004	8 A,B,C,D	YES	91322-0003	16 A,B,C,D	YES
91322-0026	8 A,B,C,D	NO	91322-0040	16 A,B,C,D	NO
91322-0019	8 A,C	YES	91322-0033	16 A,C	YES
91322-0020	8 A,C	NO	91322-0034	16 A,C	NO
91322-0021	8 B,D	YES	91322-0035	16 B,D	YES
91322-0022	8 B,D	NO	91322-0036	16 B,D	NO
91322-0023	8 NONE	YES	91322-0037	16 NONE	YES
91322-0024	8 NONE	NO	91322-0038	16 NONE	NO



NOTES:  
 1. SEE PRODUCT SPECIFICATION PS-91321-005  
 2. PACKAGING: TRAYS.

DRAWING ERROR	EC NO: E2006-0249	QUALITY SYMBOLS	GENERAL TOLERANCES (UNLESS SPECIFIED)	SCALE 2 : 1	DESIGN UNITS METRIC	THIRD ANGLE PROJECTION	REVISE ON CAD ONLY
	DRWN:DBYRNES 08/11/2004	▽ 0	mm INCH	MM ONLY	TITLE		
	CHKD:BYRNES 2005/10/04	∇ 0	4 PLACES ± --- ± ---	DRAWN BY DATE	MKEANE 98/08/28	SMART CARD CONNECTOR FRICTION (THRU HOLE)	
APPR:BMAGUIRE 2005/10/12	REV		2 PLACES ± 0.05 ± ---	CHECKED BY DATE	JHORGAN 98/08/28	MOLEX INCORPORATED	
			1 PLACE ± 0.10 ± ---	APPROVED BY DATE	MWLHITE 98/08/28	SEE CHART	DOCUMENT NO. SD-91322-005
			ANGULAR ±1/2°	MATERIAL NO.			SHEET NO. 1 OF 1
			DRAFT WHERE APPLICABLE	THIS DRAWING CONTAINS INFORMATION THAT IS PROPRIETARY TO MOLEX INCORPORATED AND SHOULD NOT BE USED WITHOUT WRITTEN PERMISSION			
			MUST REMAIN WITHIN DIMENSIONS	A2			