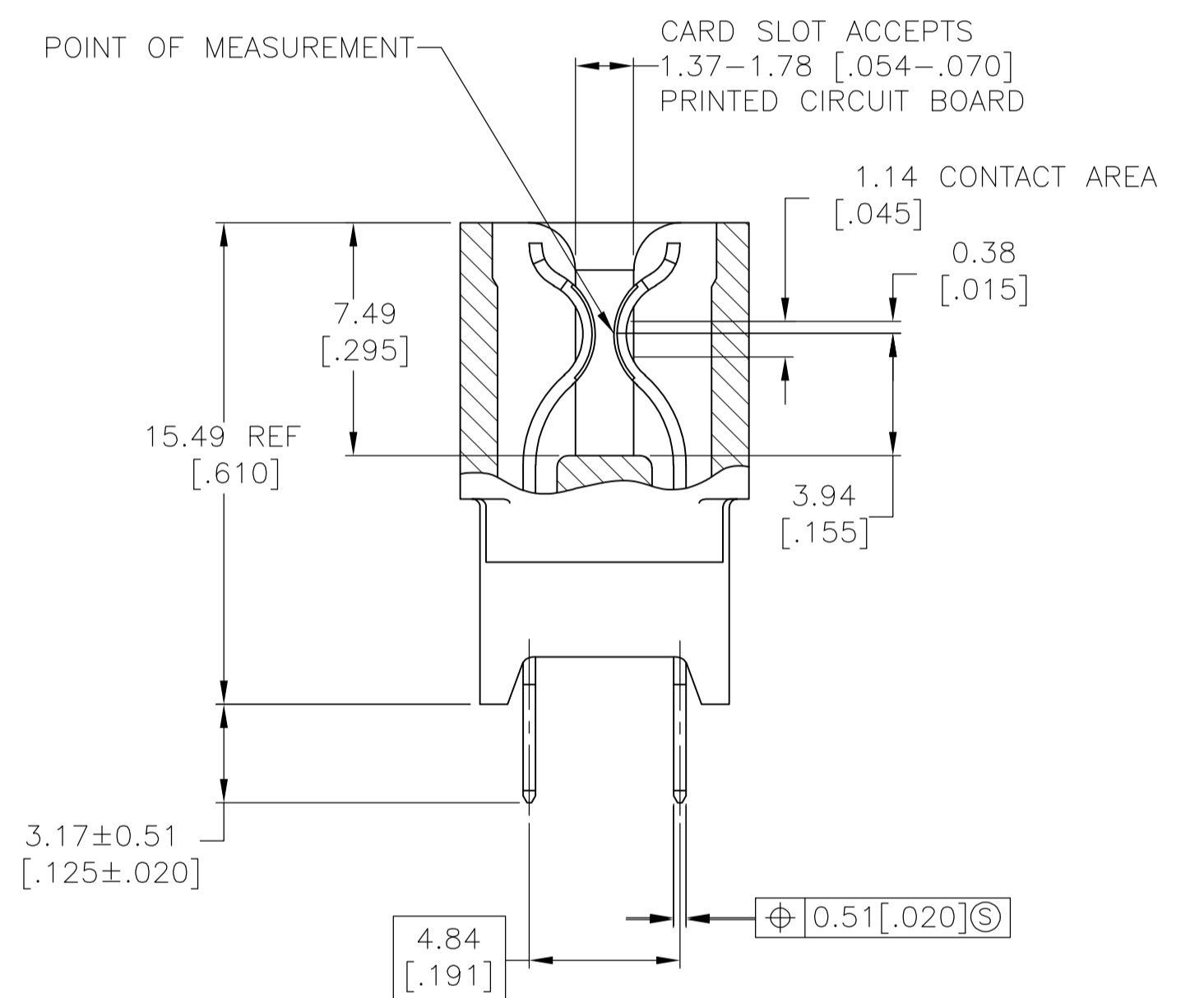
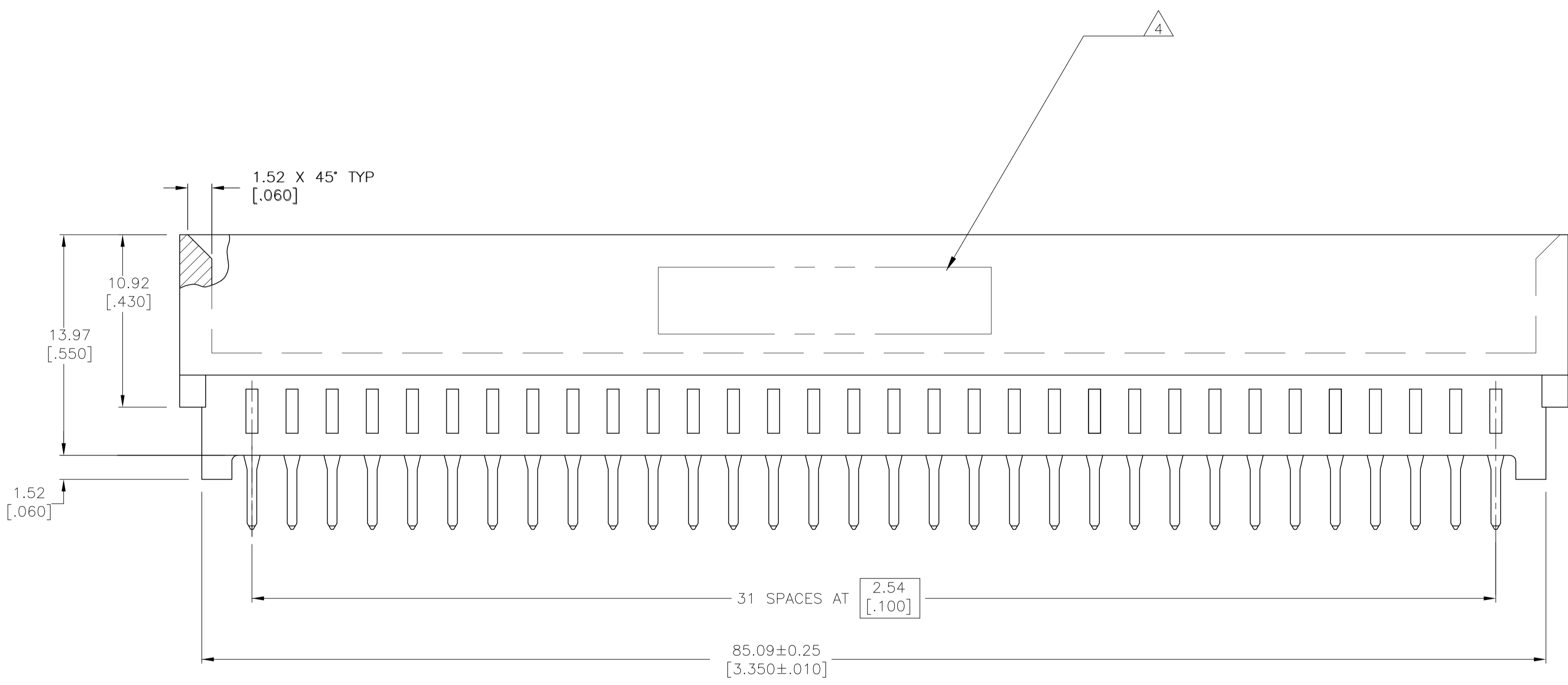


BOARD RETENTION FEATURE

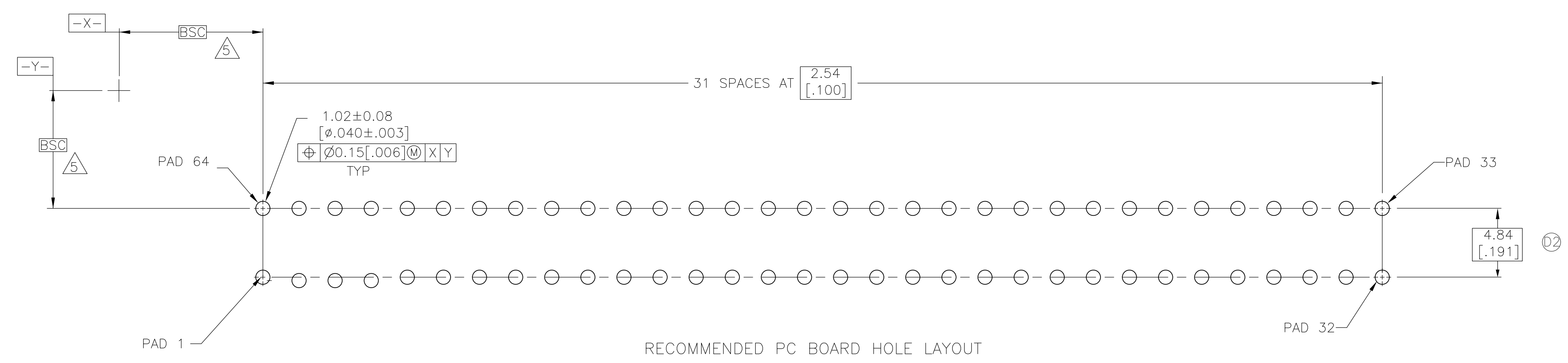
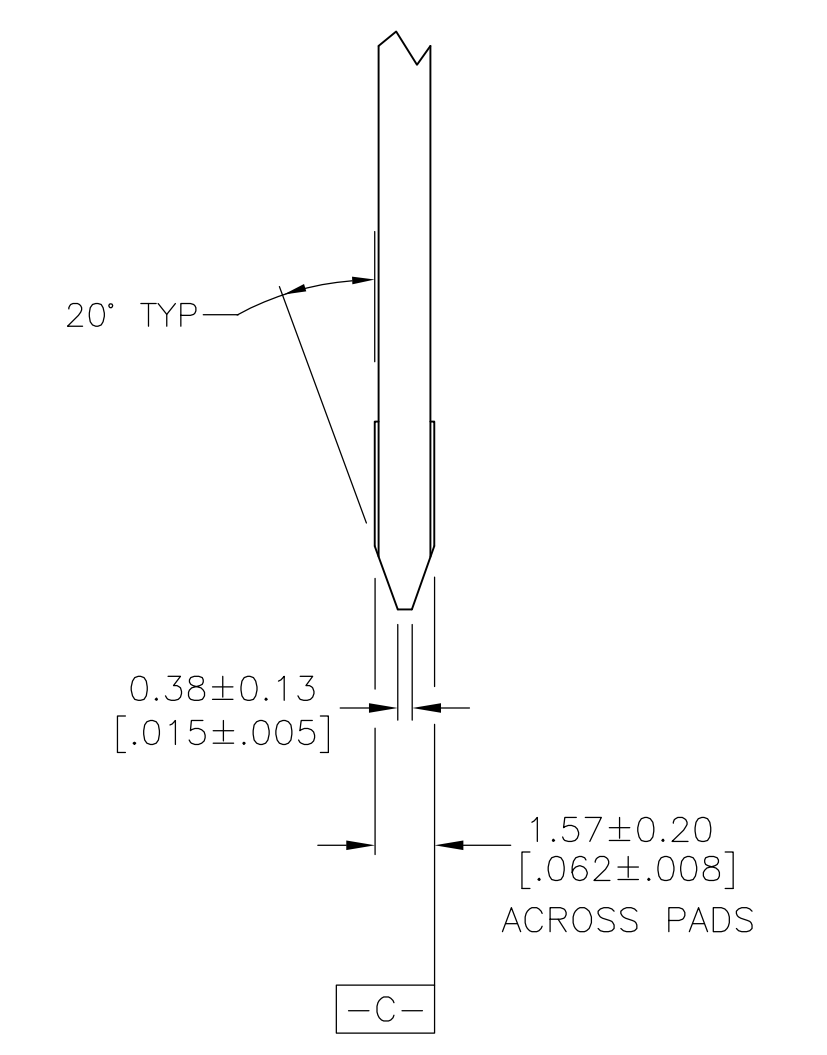
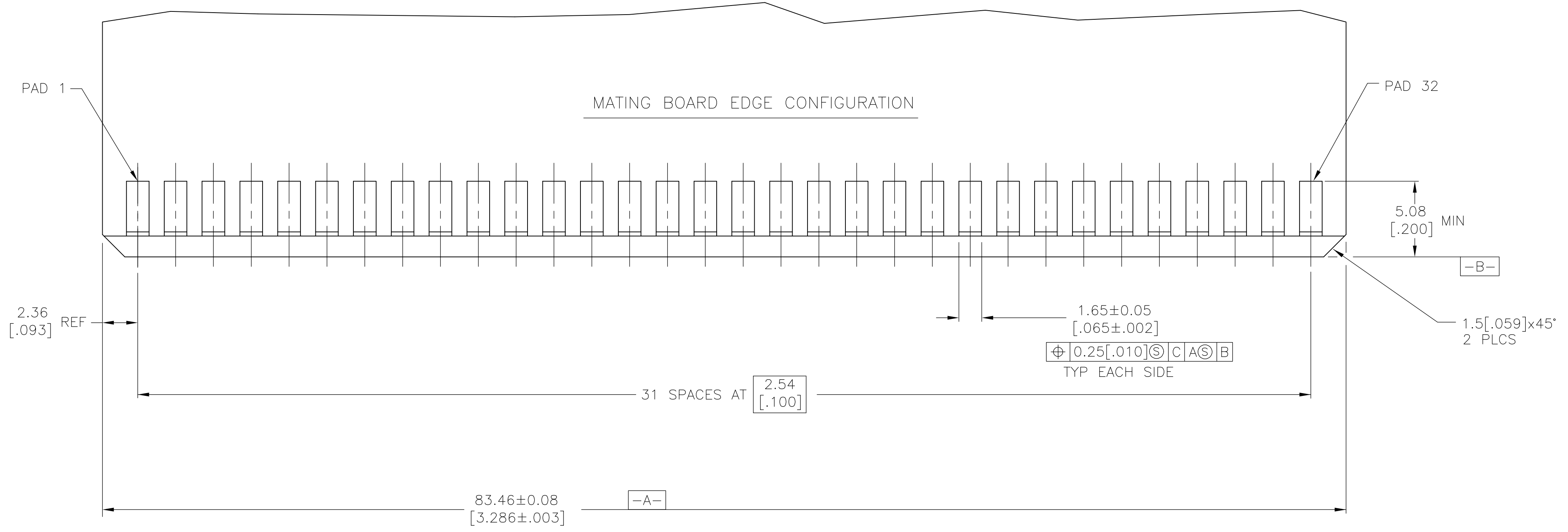


- 1 HOUSING: GLASS FILLED POLYESTER, BLACK.
- 2 CONTACT: HIGH CONDUCTIVITY COPPER ALLOY.
NICKEL PLATE: 0.00127 [$.000050$] MIN - ALL OVER.
MATTE TIN PLATE: 0.00254 [$.000100$] MIN - SOLDER POSTS.
GOLD PLATE: 0.00076 [$.000030$] MIN - CONTACT AREA.
- 3. NICKEL PLATE PER MIL-G-45204.
GOLD PLATE PER QQ-N-290.
- 4 AMP PART NUMBER AND DATE CODE MAY BE MARKED IN APPROXIMATE AREA SHOWN, EITHER SIDE.
- 5 DATUMS PLUS BASIC DIMENSIONS ESTABLISHED BY CUSTOMER.

2,3,30,31,34,35,62,63	1761469-1
RETENTION LOCATION	PART NUMBER

THIS DRAWING IS A CONTROLLED DOCUMENT.

DIMENSIONS:	TOLERANCES UNLESS OTHERWISE SPECIFIED:	DIN R. GRZYBOWSKI 21SEPT04	21SEPT04	 TE Connectivity
0. PLC ± -	1. PLC ± -	CHK A. FRANTUM 21SEPT04	21SEPT04	
2. PLC ± -	3. PLC ± -	APVD A. FRANTUM 21SEPT04	21SEPT04	
4. PLC ± -	ANGLES ± °	NAME	NAME	
MATERIAL	FINISH	PRODUCT SPEC	APPLICATION SPEC	CONNECTOR ASSEMBLY, STANDARD EDGE II, HIGH CURRENT
		108-2148	114-13018	DUAL POSITION, 2.54 [0.100] CENTERLINE
		SIZE	CAGE CODE	DRAWING NO
		A1	00779	1761469
		WEIGHT		
		CUSTOMER DRAWING	SCALE	SHEET
			5:1	1 OF 2
				REV D2



THIS DRAWING IS A CONTROLLED DOCUMENT.		DRN: R. GRZYBOWSKI 21SEP104	
DIMENSIONS: mm [INCHES]		CHK: A. FRANTUM 21SEP104	
TOLERANCES UNLESS OTHERWISE SPECIFIED:		APPD: A. FRANTUM 21SEP104	NAME: FRANTUM
0. PLC ± -	1. PLC ± -	PRODUCT SPEC	108-2148
2. PLC ± .13[.005]	3. PLC ± -	APPLICATION SPEC	114-13018
4. PLC ± -	ANGLES ± 2°	SIZE: A1	CAGE CODE: 00779
MATERIAL: SEE SHEET 1	FINISH: SEE SHEET 1	WEIGHT: -	DRAWING NO: 1761469
CUSTOMER DRAWING		SCALE: 5:1	SHEET 2 OF 2