

THIS COPY IS PROVIDED ON A RESTRICTED BASIS AND IS NOT TO BE USED IN ANY WAY DETRIMENTAL TO THE INTERESTS OF PANDUIT CORP.

TWIST TIE

IDENTIFICATION LABEL

RapidID LABEL 1

RapidID LABEL 2

STRAIN RELIEF BOOT

TANGLE-FREE LATCH

MODULAR PLUG

LENGTH ≥ 0.5M

PLUG POSITION 1

NOTES:

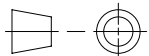
1. VISIT OUR ON-LINE CATALOG AT WWW.PANDUIT.COM FOR A LIST OF CURRENT PARTS APPLICABLE FOR USE WITH THIS PRODUCT.
2. TERMINATED WITH (8 POSITIONS) MODULAR PLUGS AT BOTH ENDS PER T568B.
3. WEIGHT: CONSTRUCTED WITH STRANDED CAT6 UTP 24AWG CM PATCH CABLE.
4. MATERIALS:
PLUG: POLYCARBONATE
BOOT: CLEAR PVC
5. NOMINAL CABLE DIAMETER JACKET DIAMETER IS 0.235 IN (5.97MM)

CABLE COLORS **	= COLOR
OFF WHITE	--
BLACK	BL
BLUE	BU
RED	RD
YELLOW	YL
GREEN	GR
ORANGE	OR
VIOLET	VL

SEE SHEET 3 FOR PATCH CORD LENGTHS AND PART NUMBERS

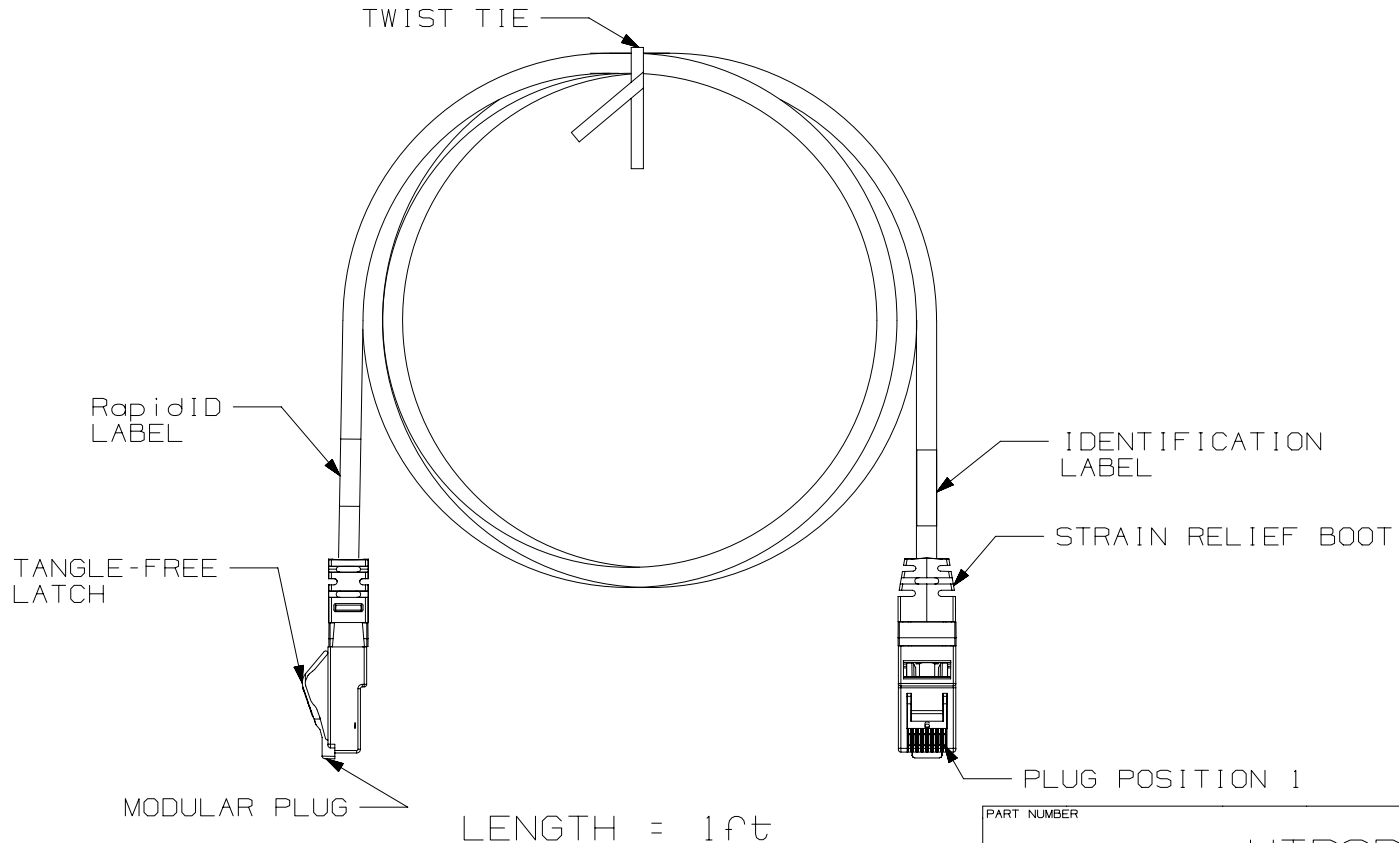
T568B WIRING SCHEME

PLUG POSITION:	CABLE WIRE:
1	WHITE/ORANGE
2	ORANGE
3	WHITE/GREEN
4	BLUE
5	WHITE/BLUE
6	GREEN
7	WHITE/BROWN
8	BROWN

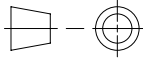
PART NUMBER		UTPSPXX**Y	
TITLE		TX6 PLUS UTP PATCH CORDS (CM)	
CUSTOMER DRAWING			
ITEM REVISION NAME		M02479NV/05	
DATASET FILE NAME		M02479NV_DC360/05A	
		THIRD ANGLE PROJECTION	
MATERIAL		SEE NOTE 4	
DRAWING NUMBER		02479-360	
DRAWN BY	DATE	CHK	SCALE
NER	3-28-06	WJC	NONE
REV	DATE	BY	CHK
05A	5-20-21	BJN	REFR
REV	DATE	BY	CHK
05A	5-20-21	BJN	REFR
APR		RWI	
DESCRIPTION		ECN	
ADDED NEW SHEET 2 REVISED & REDRAWN PREVIOUS REVISIONS REMVD FOR CLARITY		02479-360	
DESCRIPTION		ECN	

A-SIZE CUSTOMER

THIS COPY IS PROVIDED ON A RESTRICTED BASIS AND IS NOT TO BE USED IN ANY WAY DETRIMENTAL TO THE INTERESTS OF PANDUIT CORP.



SEE SHEET 3 FOR
PATCH CORD LENGTHS
AND PART NUMBERS

PART NUMBER		UTPSPXX**Y	
TITLE		TX6 PLS UTP PATCH CORDS (CM)	
		CUSTOMER DRAWING	
ITEM REVISION NAME		M02479NV/05	
DATASET FILE NAME		M02479NV_DC360/05A	
		THIRD ANGLE PROJECTION	
MATERIAL		SEE NOTE 4	
DRAWING NUMBER		02479-360	
DRAWN BY	DATE	CHK	SCALE
NER	3-28-06	WJC	NONE
SHEET 2 OF 3			SIZE
			A

05A	5-20-21	BJN	REFR	RWI	SEE SHEET 1 FOR REVISION HISTORY	02479-360
REV	DATE	BY	CHK	APR	DESCRIPTION	ECN

A-SIZE CUSTOMER

2

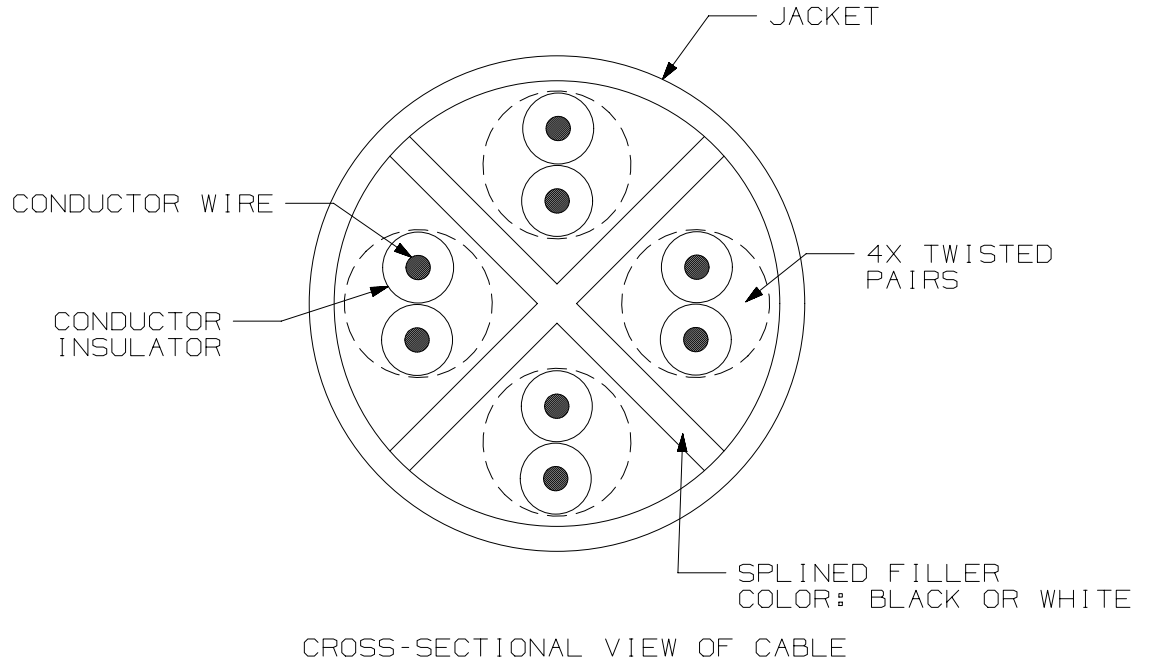
1

2

1

THIS COPY IS PROVIDED ON A RESTRICTED BASIS AND IS NOT TO BE USED IN ANY WAY DETRIMENTAL TO THE INTERESTS OF PANDUIT CORP.
TX6 PLUS UTP PATCH CORDS

PANDUIT PART NUMBER	MIN. CABLE LENGTH	PANDUIT PART NUMBER	MIN. CABLE LENGTH
UTPSP1**Y	1 FT.	UTPSP0.5M**Y	0.5 METER
UTPSP2**Y	2 FT.	UTPSP1M**Y	1 METER
UTPSP3**Y	3 FT.	UTPSP1.5M**Y	1.5 METER
UTPSP4**Y	4 FT.	UTPSP2M**Y	2 METERS
UTPSP5**Y	5 FT.	UTPSP2.5M**Y	2.5 METERS
UTPSP6**Y	6 FT.	UTPSP3M**Y	3 METERS
UTPSP7**Y	7 FT.	UTPSP4M**Y	4 METERS
UTPSP8**Y	8 FT.	UTPSP5M**Y	5 METERS
UTPSP9**Y	9 FT.	UTPSP6M**Y	6 METERS
UTPSP10**Y	10 FT.	UTPSP7M**Y	7 METERS
UTPSP11**Y	11 FT.	UTPSP8M**Y	8 METERS
UTPSP12**Y	12 FT.	UTPSP9M**Y	9 METERS
UTPSP13**Y	13 FT.	UTPSP10M**Y	10 METERS
UTPSP14**Y	14 FT.	UTPSP15M**Y	15 METERS
UTPSP15**Y	15 FT.	UTPSP20M**Y	20 METERS
UTPSP16**Y	16 FT.	UTPSP25M**Y	25 METERS
UTPSP17**Y	17 FT.	UTPSP30M**Y	30 METERS
UTPSP18**Y	18 FT.	UTPSP35M**Y	35 METERS
UTPSP19**Y	19 FT.	UTPSP40M**Y	40 METERS
UTPSP20**Y	20 FT.		
UTPSP25**Y	25 FT.		
UTPSP30**Y	30 FT.		
UTPSP35**Y	35 FT.		
UTPSP40**Y	40 FT.		



PART NUMBER		UTPSPXX**Y	
TITLE		TX6 PLUS UTP PATCH CORDS (CM)	
ITEM REVISION NAME		CUSTOMER DRAWING	
DATASET FILE NAME		M02479NV/05	
		M02479NV_DC360/05A	
MATERIAL		SEE NOTE 4	
DRAWING NUMBER		02479-360	
DRAWN BY		NER	
DATE		3-28-06	
CHK		WJC	
SCALE		NONE	
SHEET 3 OF 3		A	

05A	5-20-21	BJN	REFR	RWI	SEE SHEET 1 FOR REVISION HISTORY	02479-360
REV	DATE	BY	CHK	APR	DESCRIPTION	ECN

B

B

A

A

A-SIZE CUSTOMER