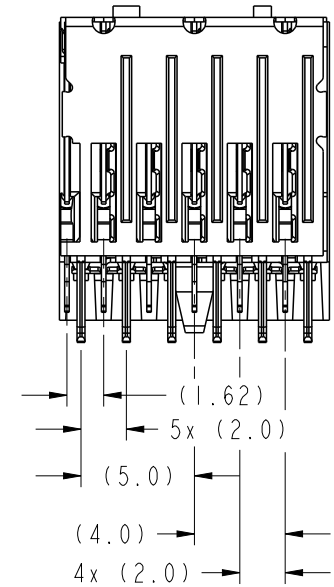
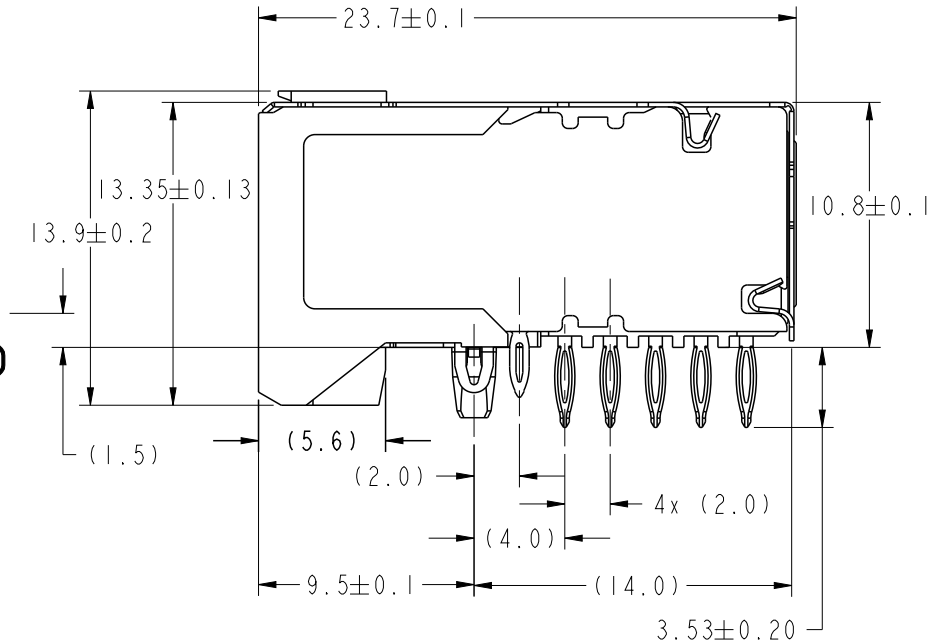
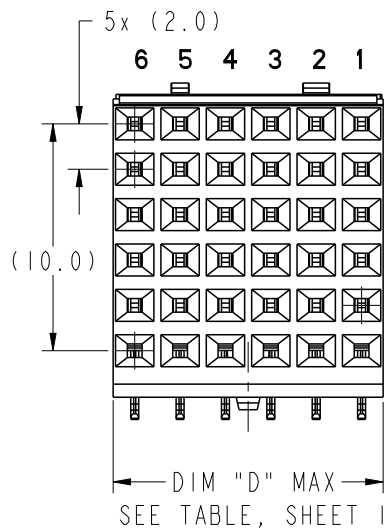


PRODUCT NUMBER	DIM "C"	DIM "D"
84688-101LF	---	11.98
84688-102LF	12.00	23.98
84688-103LF	24.00	35.98
84688-104LF	36.00	47.98
84688-105LF	48.00	59.98
84688-106LF	60.00	71.98
84688-108LF	OBSELETE	

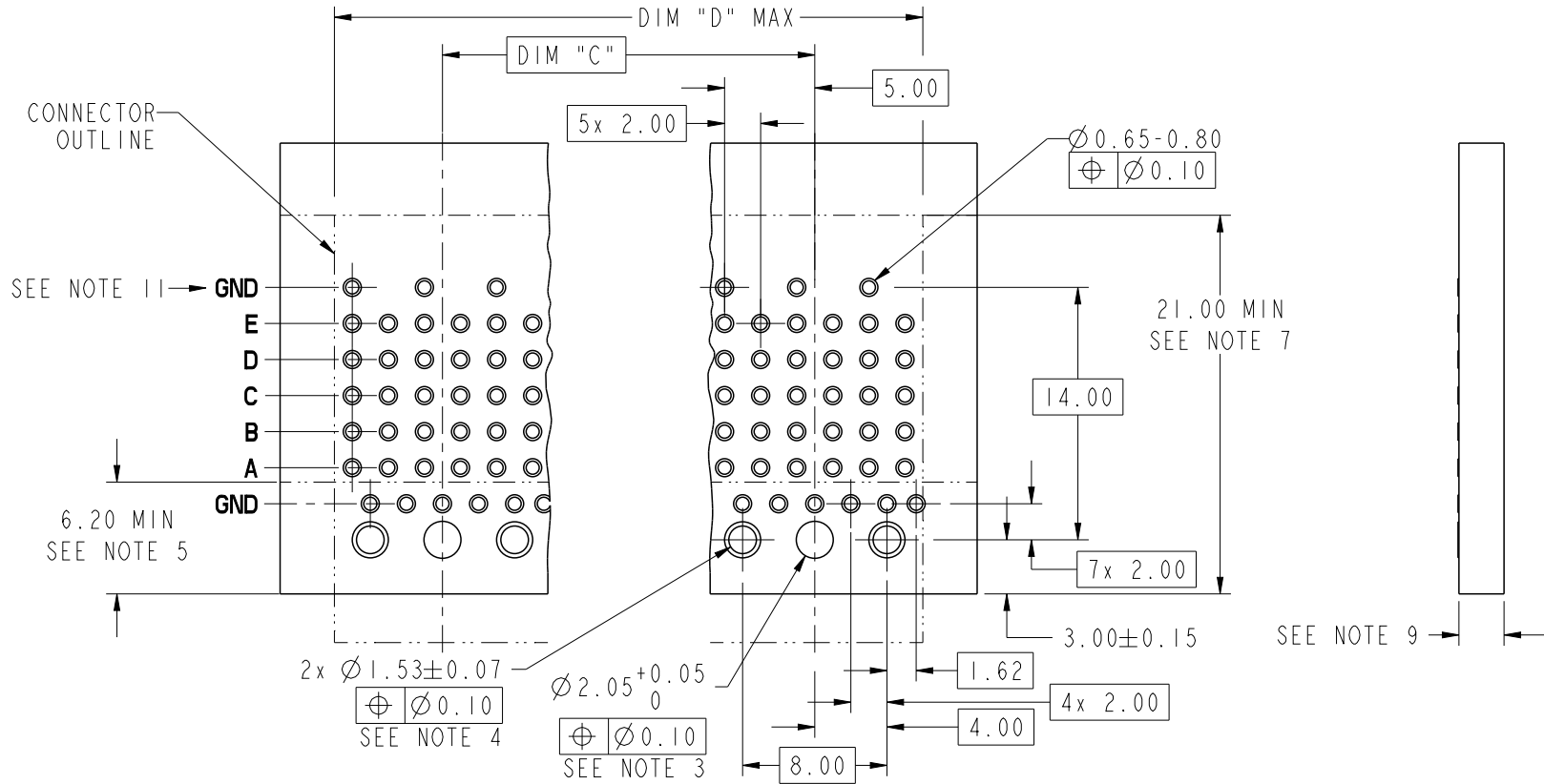


spec ref		dr	P-Mathew Nebu	2011/05/20	projection 	MM ←→	size	A4	scale	3:1	
tolerance std		eng	Narayanan, Aru	2021/02/02			ecn no	ELX-I-39848-1			
ISO 406 ISO 1101		chr	-	-			rel level	Released			
TOLERANCES UNLESS OTHERWISE SPECIFIED		appr	Kuriakose, San	2021/02/02	product family		METRAL 1000				
surface	linear	0.X	±0.3	Amphenol FCI	title		RIGHT ANGLE SIGNAL RECEPTACLE		dwg no	84688	rev
		0.XX	±0.13								
ISO 1302	angular	0°	±2°								

Creo F119:ELX-IC:ACC, REV F, 2020-12-21

PRODUCT NUMBER
84688-XYLLF






RECOMMENDED PCB HOLE
PATTERN-COMPONENT SIDE
FOR PTH REFER DRAWING 58351

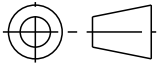
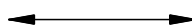


spec ref		dr P-Mathew Nebu 2011/05/20		projection 	MM 	size A4	scale 1:1
tolerance std ISO 406 ISO 1101		eng Narayanan, Aru 2021/02/02				ecn no ELX-I-39848-1	
TOLERANCES UNLESS OTHERWISE SPECIFIED		chr -				rel level Released	
surface		appr Kuriakose, San 2021/02/02		product family METRAL(tm)		rev	
linear	0.X	±0.3		RIGHT ANGLE SIGNAL RECEPTACLE		84688	
	0.XX	±0.13					
angular	0.XXX	±0.050		5 ROW MONOBLOCK		V	
	0°	±2°					
ISO 1302		amphenol-icc.com		cat. no.		Product - Customer Drw	
						sheet 2 of 4	

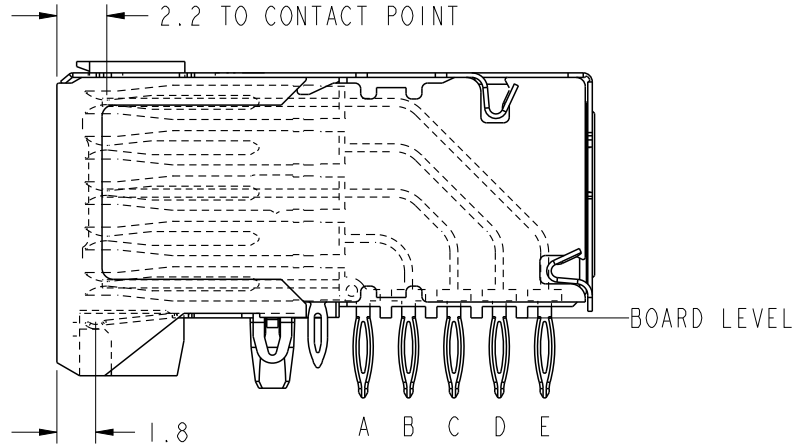
Creo F114:ELX-MC-ACC,REV F,2020-12-21

NOTES

1. UNLESS OTHERWISE SPECIFIED ALL DIMENSIONS AND TOLERANCES ARE IN ACCORDANCE WITH ASME Y14.5M, 1994
2. MATERIAL : BODY : THERMOPLASTIC UL94-V0. 
: CONTACT : COPPER ALLOY.
3. Ø2.05 HOLE IS UNPLATED
4. Ø1.53 PLATED HOLES (2x) ARE FOR GROUNDS
5. FOR PLATING PERFORMANCE REFER DRAWING # 10159408. 
6. AVOID TRACES IN THIS AREA ON TOP OF PCB DUE TO EXPOSED GROUND SHIELD
6. UNDERPLATING FOR SHIELD AND SIGNAL CONTACTS
7. COMPONENT KEEP OUT ZONE FOR PRESS BLOCK CLEARANCE
8. SEE GS-20-017 FOR APPLICATION OF CONNECTOR TO PCB
9. PCB THICKNESS RANGE: 1.3mm TO 2.5mm
10. SEE PRODUCT SPECIFICATION GS-12-110 FOR PRODUCT PERFORMANCE CHARACTERISTICS.
11. THIS GROUND ROW OF VIA-HOLES ONLY REQUIRED FOR PREVIOUS REVISIONS OF THIS DESIGN WHERE THE TOP SHIELDS HAD EON PRESS-FIT. DUE TO INVENTORIES OF PREVIOUS VERSION WE RECOMMEND THEY BE DESIGNED IN.
12. PRODUCTS MEET EUROPEAN UNION DIRECTIVES AND OTHER COUNTRY REGULATIONS AS DESCRIBED IN GS-47-0004. 
13. ALL PRODUCTS WILL WITHSTAND EXPOSURE TO 260°C FOR 60 SECONDS IN A CONVECTION, INFRA-RED OR VAPOR PHASE REFLOW OVEN.
14. A  SYMBOL WILL BE NEXT TO ANY DIMENSION, VIEW, OR NOTE WHICH HAS BEEN MODIFIED WITH THE DRAWING CURRENT REVISION
15. 84688-XYLFF.
 ↑
 'x' REFER DRAWING # 10159408. 

spec ref		dr	P-Mathew Nebu	2011/05/20	projection 	MM 	size	A4	scale	1:1			
tolerance std ISO 406 ISO 1101	TOLERANCES UNLESS OTHERWISE SPECIFIED		eng	Narayanan, Aru			2021/02/02	ecn no	ELX-I-39848-1				
			chr	-			-		rel level	Released			
surface ISO 1302	linear	0.X	±0.3	Amphenol FCi	title	RIGHT ANGLE SIGNAL RECEPTACLE	dwg no	84688		rev			
		0.XX	±0.13								cat. no.	Product - Customer Drw	sheet 3 of 4
		0.XXX	±0.050										
	angular	0°	±2°	amphenol-icc.com									

DISTANCE FROM CONTACT POINT TO BOARD	
CONTACT	DISTANCE
A	12.5
B	16.2
C	19.5
D	22.3
E	25.2



CONTACT POINT AND SKEW

spec ref		dr	P-Mathew Nebu	2011/05/20	projection 	MM 	size	A4	scale	3:1	
tolerance std		eng	Narayanan, Aru	2021/02/02			ecn no	ELX-I-39848-1			
ISO 406 ISO 1101		chr	-	-				rel level	Released		
TOLERANCES UNLESS OTHERWISE SPECIFIED		appr	Kuriakose, San	2021/02/02	product family		METRAL 1000		rev	V	
surface	linear	0.X	±0.3	Amphenol FCI	title		RIGHT ANGLE SIGNAL RECEPTACLE		dwg no	84688	
		0.XX	±0.13								
		0.XXX	±0.050								
ISO 1302	angular	0°	±2°	amphenol-icc.com	cat. no.		Product - Customer Drw		sheet 4 of 4		