



A Product Line of
Diodes Incorporated



SPECIFICATION FOR APPROVAL

CUSTOMER _____

NOMINAL FREQUENCY 100MHz, 125MHz




PRODUCT TYPE TYPE NX 3.2x2.5 SEAM SEALED CRYSTAL CLOCK OSCILLATOR

SPEC. NO. (P/N) NX33SA0001

CUSTOMER P/N _____

ISSUE DATE March 12, 2018

VERSION B

APPROVED	PREPARED	QA
		

Diodes Incorporated

No.2, Ziqiang 5th Rd., Zhongli Industrial Park,
Zhongli Dist., Taoyuan City 32063, Taiwan (R.O.C.)
TEL: 886-3-451-8888
FAX: 886-3-461-3865
<https://www.diodes.com>

*Pb-free
*RoHS Compliant
*HF-Halogen Free
*REACH Compliant

TYPE NX 3.2x2.5 SEAM SEALED CRYSTAL CLOCK OSCILLATOR

NX33SA0001

VER. B 12-Mar-18

ELECTRICAL SPECIFICATIONS

SRe Part Number : NX33SA0001

Item	Symbol	Specifications	Units	Notes	
Nominal Frequency 1	Fo	100.000000	MHz	See Frequency Select Table on page 4	
Nominal Frequency 2		125.000000			
Frequency Stability	FT	± 20	ppm	**See note	
Operating Temperature Range	TR	-40 to +85	°C		
Supply Voltage	V _{CC}	+3.3 ± 5.0%	V		
Logic Type	LT	LVDS			
Supply Current, Output Enabled	I _{CC/OE}	70	mA	Max. OE tied to "1" or open	
Supply Current, Output Disabled	I _{CC/OD}	40	mA	Max. Output is Hi-Z	
Duty Cycle (Symmetry)	DC/SY	45 / 55	%	Measured 50% of Waveform	
Rise / Fall Time	T _R /T _F	0.4	ns	Max. measured 20/80% of Waveform	
Output Voltage "0" Level	V _{OL}	1.10 / 0.9	V	Typ. / Min.	
Output Voltage "1" Level	V _{OH}	1.43 / 1.6	V	Typ. / Max.	
Output Load		100Ω connected between outputs		Output requires termination	
Differential Output Voltage	V _{OD}	247 / 454	mV	Min. / Max.	
Jitter, Phase	100MHz	RMS	1	ps	Max. 12kHz ~ 20MHz Frequency Band
	125MHz	RMS	0.4 / 0.6	ps	Typ./Max. 12kHz ~ 20MHz Frequency Band
Jitter, Accumulated	RMS(1-σ)	6	ps	Max. 20,000 Consecutive Periods	
Jitter, Peak to Peak	Pk-Pk	40	ps	Max. 100,000 Random Periods	
Storage Temperature Range		-55 to +125	°C		

※ This product doesn't include harmful substance that stipulated by SONY SS-00259 Level 1 and S-AT2-001 Level 1 standard. RoHS Compliant (Pb - Free).

**Stability includes all combinations of Operating Temperature, Load changes, rated Input (Supply) Voltage changes, Initial Calibration Tolerance (25°C), Aging (1 years at 25°C Average Effective Ambient Temperature), Shock and Vibration.

Output Enable / Disable & Frequency Select Function

Parameter	Min.	Typ.	Max.	Units	Notes
Input Voltage (Pin1 & Pin2), OE & FS (High)	0.7V _{CC}			V	
Input Voltage (Pin1 & Pin2), OE & FS (Low)			0.3V _{CC}	V	
Output Disable Delay			100	ns	
Output Enable Delay			100	ns	
Settling Time after FS change			10	ms	
Start Up Time			10	ms	

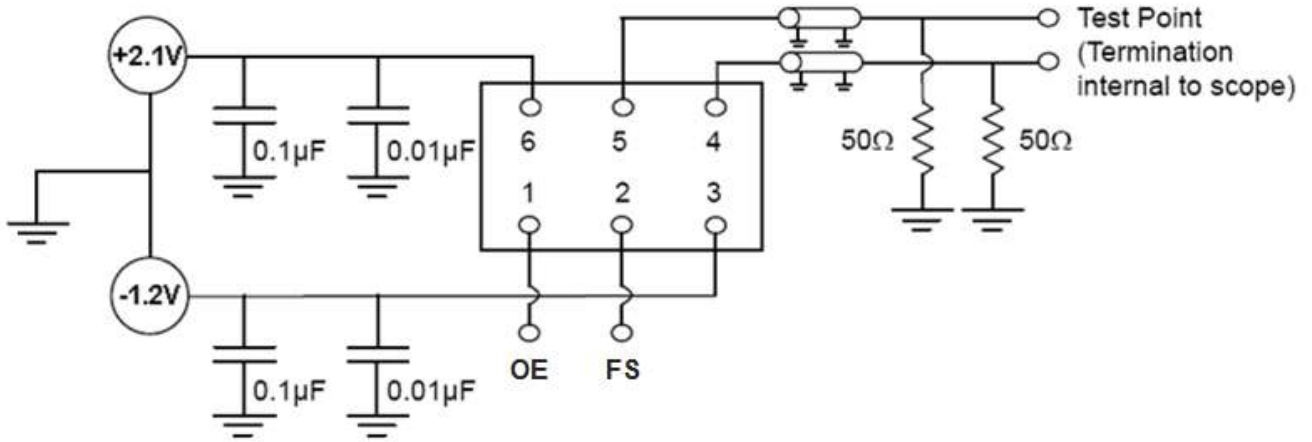


TYPE NX 3.2x2.5 SEAM SEALED CRYSTAL CLOCK OSCILLATOR

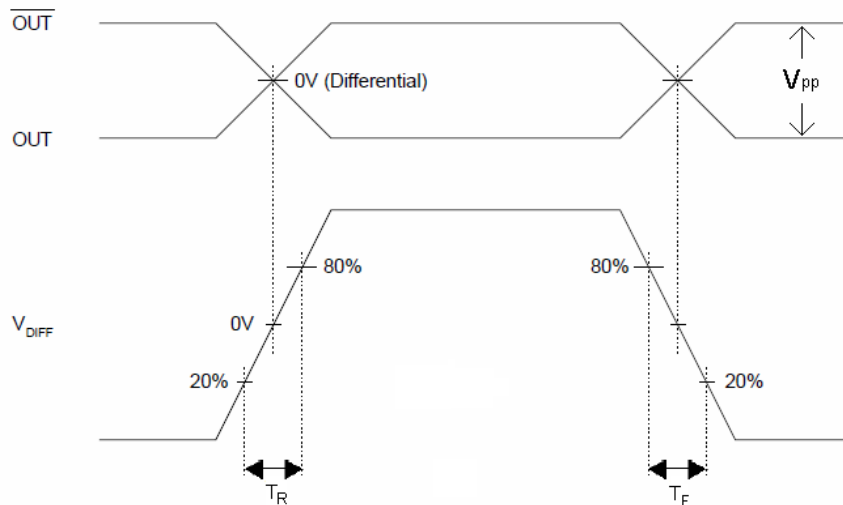
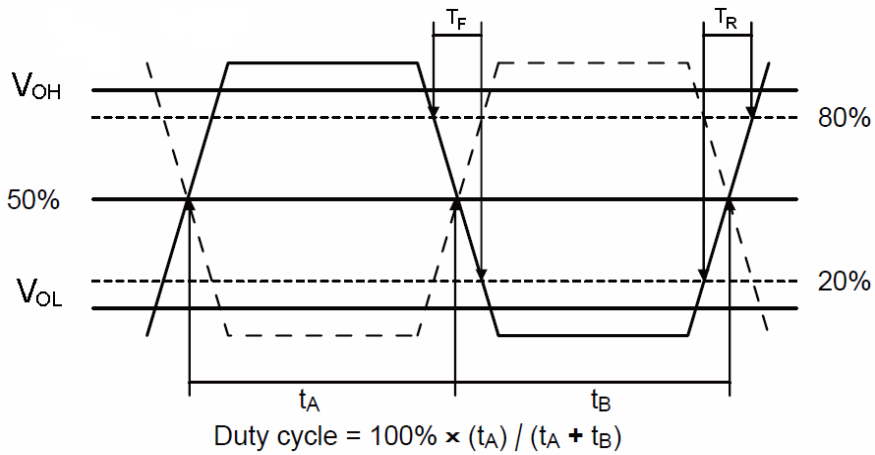
NX33SA0001

VER. B 12-Mar-18

TEST CIRCUIT



OUTPUT WAVEFORM



TYPE NX 3.2x2.5 SEAM SEALED CRYSTAL CLOCK OSCILLATOR

NX33SA0001

VER. B 12-Mar-18

RELIABILITY SPECIFICATIONS

ENVIRONMENTAL:

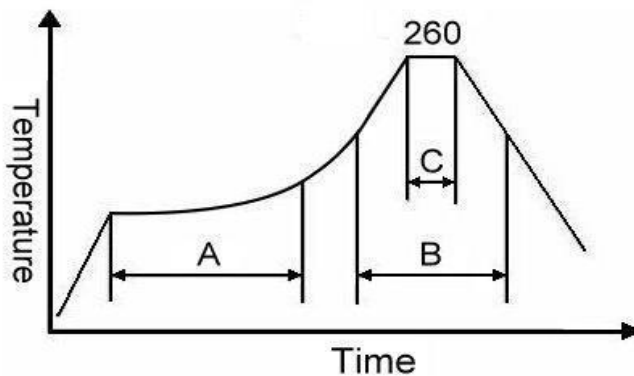
- a) THERMAL SHOCK: MIL-STD-883, Method 1011, Condition A
- b) MOISTURE RESISTANCE: MIL-STD-883, Method 1004
- c) VIBRATION: MIL-STD-883, Method 2007, Condition A
- d) RESISTANCE TO SOLDERING HEAT: J-STD-020D Table 5-2 Pb-free devices (except 2 cycles max)
- e) HAZARDOUS SUBSTANCE: Pb - free and RoHS/ Green Compliant.

MECHANICAL:

- a) SHOCK: MIL-STD-883, Method 2002, Condition B
- b) SOLDERABILITY: JESD22-B102-D Method 2 (Preconditioning E)
- c) TERMINAL STRENGTH: MIL-STD-883, Method 2004, Test Condition D
- d) GROSS LEAK: MIL-STD-883, Method 1014, Condition C
- e) FINE LEAK: MIL-STD-883, Method 1014, Condition A2, $R1=2 \times 10^{-8}$ atm cc/s
- f) SOLVENT RESISTANCE: MIL-STD-202, Method 215

SUGGESTED IR REFLOW PROFILE

*As per IPC-JEDEC J-STD-020D



Note:

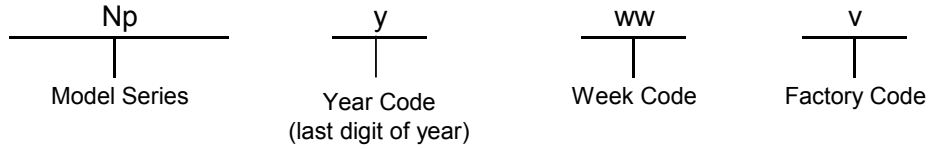
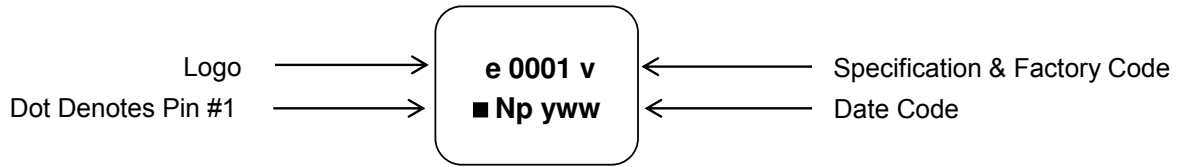
	Stage	Temperature	Time
A	Preheat	150~200°C	60~120 Sec
B	Primary Heat	217°C	60~150 Sec
C	Peak	260°C	10 Sec

TYPE NX 3.2x2.5 SEAM SEALED CRYSTAL CLOCK OSCILLATOR

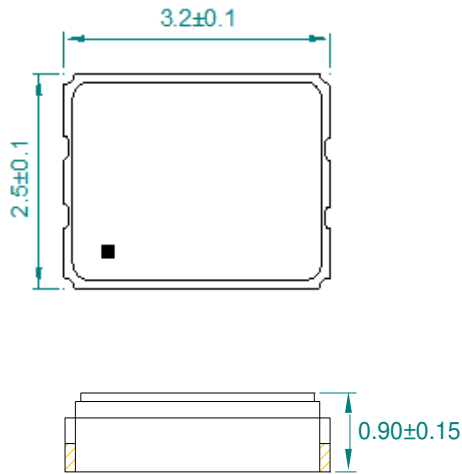
NX33SA0001

VER. B 12-Mar-18

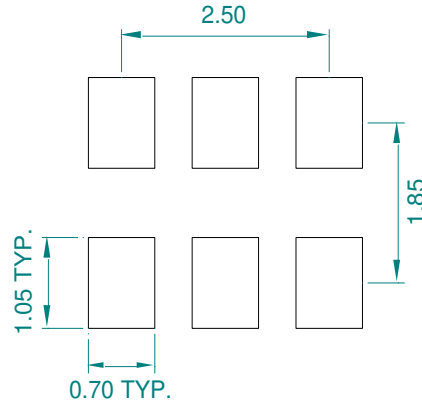
MARKING



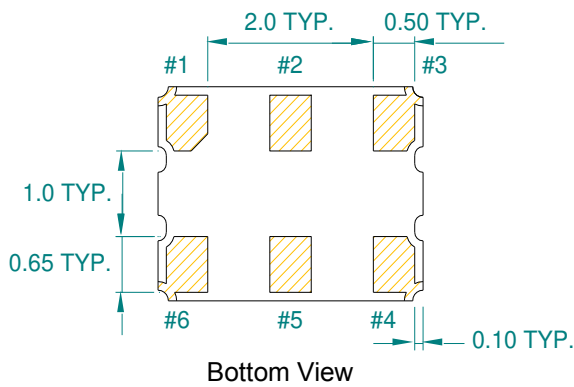
MECHANICAL DRAWINGS (Scale: None. Dimensions are in mm.)



Recommended Land Pattern*



*External high-frequency power decoupling is recommended. (see test circuit for minimum recommendation). To ensure optimal performance, do not route traces beneath the package.



Pin	Function
1	OE
2	FS
3	Ground
4	Q
5	\bar{Q}
6	V _{CC}

Frequency Select Table

FS	Output
0	Frequency 1
1	Frequency 2

TYPE NX 3.2x2.5 SEAM SEALED CRYSTAL CLOCK OSCILLATOR

NX33SA0001

VER. B 12-Mar-18

PACKING

