



+1.2V to +5.5V, ±15kV ESD-Protected, 0.1µA, 35Mbps, 8-Channel Level Translators

General Description

The MAX3000E/MAX3001E/MAX3002–MAX3012 8-channel level translators provide the level shifting necessary to allow data transfer in a multivoltage system. Externally applied voltages, V_{CC} and V_L , set the logic levels on either side of the device. Logic signals present on the V_L side of the device appear as a higher voltage logic signal on the V_{CC} side of the device, and vice-versa.

The MAX3000E/MAX3001E/MAX3002/MAX3003 use an architecture specifically designed to be bidirectional without the use of a directional pin.

The MAX3000E/MAX3001E/MAX3002/MAX3004–MAX3012 feature an EN input that, when low, reduces the V_{CC} and V_L supply currents to $< 2\mu\text{A}$. The MAX3000E/MAX3001E also have $\pm 15\text{kV}$ ESD protection on the I/O V_{CC} side for greater protection in applications that route signals externally. The MAX3000E operates at a guaranteed data rate of 230kbps. The MAX3001E operates at a guaranteed data rate of 4Mbps. The MAX3002–MAX3012 operate at a guaranteed data rate of 20Mbps over the entire specified operating voltage range.

The MAX3000E/MAX3001E/MAX3002–MAX3012 accept V_L voltages from +1.2V to +5.5V and V_{CC} voltages from +1.65V to +5.5V, making them ideal for data transfer between low-voltage ASICs/PLDs and higher voltage systems. The MAX3000E/MAX3001E/MAX3002–MAX3012 are available in 20-bump UCSP™, 20-pin TQFN (5mm x 5mm), and 20-pin TSSOP packages.

Applications

- CMOS Logic-Level Translation
- Cellphones
- SPI™ and MICROWIRE™ Level Translation
- Low-Voltage ASIC Level Translation
- Smart Card Readers
- Cellphone Cradles
- Portable POS Systems
- Portable Communication Devices
- Low-Cost Serial Interfaces
- GPS
- Telecommunications Equipment

UCSP is a trademark of Maxim Integrated Products, Inc.

SPI is a trademark of Motorola, Inc.

MICROWIRE is a trademark of National Semiconductor.

Features

- ◆ Guaranteed Data Rate Options
 - 230kbps (MAX3000E)
 - 4Mbps (MAX3001E)
 - 20Mbps (MAX3002–MAX3012)
- ◆ Bidirectional Level Translation Without Using a Directional Pin (MAX3000E/MAX3001E/MAX3002/MAX3003)
- ◆ Unidirectional Level Translation (MAX3004–MAX3012)
- ◆ Operation Down to +1.2V on V_L
- ◆ $\pm 15\text{kV}$ ESD Protection on I/O V_{CC} Lines (MAX3000E/MAX3001E)
- ◆ Ultra-Low 0.1µA Supply Current in Shutdown
- ◆ Low Quiescent Current ($< 10\mu\text{A}$)
- ◆ UCSP, TQFN, and TSSOP Packages

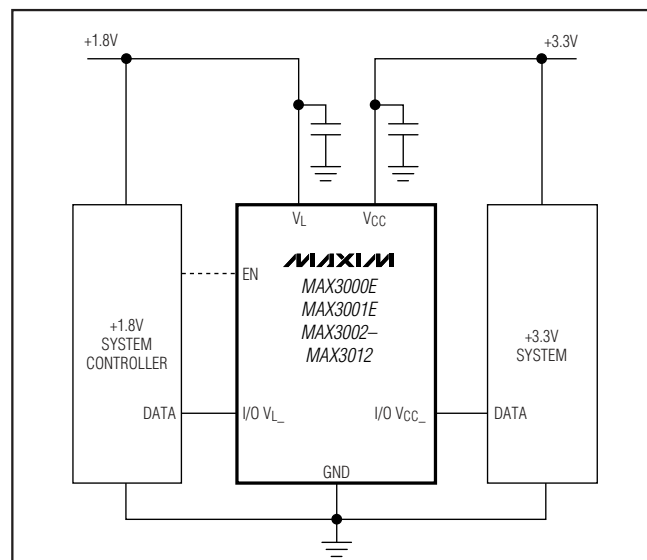
Ordering Information

PART	TEMP RANGE	PIN-PACKAGE	PKG CODE
MAX3000EUP	-40°C to +85°C	20 TSSOP	U20-3
MAX3000EEBP-T	-40°C to +85°C	4 x 5 UCSP	B20-1

Ordering Information continued at end of data sheet.

Note: All devices operate over the -40°C to +85°C operating temperature range.

Typical Operating Circuit



Pin Configurations and Functional Diagrams appear at end of data sheet.



+1.2V to +5.5V, ±15kV ESD-Protected, 0.1µA, 35Mbps, 8-Channel Level Translators

ABSOLUTE MAXIMUM RATINGS

(All voltages referenced to GND.)

V _{CC}	-0.3V to +6V
V _L	-0.3V to +6V
I/O V _{CC}	-0.3V to (V _{CC} + 0.3V)
I/O V _L	-0.3V to (V _L + 0.3V)
EN, EN A/B	-0.3V to +6V
Short-Circuit Duration I/O V _L , I/O V _{CC} to GND	Continuous
Continuous Power Dissipation (T _A = +70°C)	
20-Pin TSSOP (derate 7.0mW/°C above +70°C)	559mW
20-Bump UCSP (derate 10mW/°C above +70°C)	800mW
20-Pin 5mm x 5mm TQFN	
(derate 20.0mW/°C above +70°C)	1667mW

Operating Temperature Ranges

MAX3001EAUP	-40°C to +125°C
MAX300_EE_P	-40°C to +85°C
MAX30_E_P	-40°C to +85°C
Junction Temperature	+150°C
Storage Temperature Range	-65°C to +150°C
Lead Temperature (soldering, 10s)	+300°C

Stresses beyond those listed under "Absolute Maximum Ratings" may cause permanent damage to the device. These are stress ratings only, and functional operation of the device at these or any other conditions beyond those indicated in the operational sections of the specifications is not implied. Exposure to absolute maximum rating conditions for extended periods may affect device reliability.

ELECTRICAL CHARACTERISTICS

(V_{CC} = +1.65V to +5.5V, V_L = +1.2V to V_{CC}, EN = V_L (MAX3000E/MAX3001E/MAX3002/MAX3004-MAX3012), EN A/B = V_L or 0 (MAX3003), T_A = T_{MIN} to T_{MAX}. Typical values are at V_{CC} = +1.65V, V_L = +1.2V, and T_A = +25°C.) (Notes 1, 2)

PARAMETER	SYMBOL	CONDITIONS	MIN	TYP	MAX	UNITS
POWER SUPPLIES						
V _L Supply Range	V _L		1.2		V _{CC}	V
V _{CC} Supply Range	V _{CC}		1.65		5.50	V
Supply Current from V _{CC}	I _{QVCC}	I/O V _{CC} = 0, I/O V _L = 0 or I/O V _{CC} = V _{CC} , I/O V _L = V _L , MAX3000E/MAX3002-MAX3012		0.1	10	µA
		I/O V _{CC} = 0, I/O V _L = 0 or I/O V _{CC} = V _{CC} , I/O V _L = V _L , MAX3001E		0.1	50	
Supply Current from V _L	I _{QVL}	I/O V _{CC} = 0, I/O V _L = 0 or I/O V _{CC} = V _{CC} , I/O V _L = V _L , MAX3000E/MAX3002-MAX3012		0.1	10	µA
		I/O V _{CC} = 0, I/O V _L = 0 or I/O V _{CC} = V _{CC} , I/O V _L = V _L , MAX3001E		0.1	50	
V _{CC} Shutdown Supply Current	I _{SHDN-VCC}	T _A = +25°C, EN = 0, MAX3000E/MAX3001E/MAX3002/ MAX3004-MAX3012		0.1	2	µA
		T _A = +25°C, EN A/B = 0, MAX3003		0.1	2	
V _L Shutdown Supply Current	I _{SHDN-VL}	T _A = +25°C, EN = 0, MAX3000E/MAX3001E/MAX3002/ MAX3004-MAX3012		0.1	2	µA
		T _A = +25°C, EN A/B = 0, MAX3003		0.1	2	

+1.2V to +5.5V, ±15kV ESD-Protected, 0.1µA, 35Mbps, 8-Channel Level Translators

ELECTRICAL CHARACTERISTICS (continued)

(V_{CC} = +1.65V to +5.5V, V_L = +1.2V to V_{CC}, EN = V_L (MAX3000E/MAX3001E/MAX3002/MAX3004–MAX3012), EN A/B = V_L or 0 (MAX3003), T_A = T_{MIN} to T_{MAX}. Typical values are at V_{CC} = +1.65V, V_L = +1.2V, and T_A = +25°C.) (Notes 1, 2)

PARAMETER	SYMBOL	CONDITIONS	MIN	TYP	MAX	UNITS
I/O V _{CC} _ Three-State Output Leakage Current		T _A = +25°C, EN = 0, MAX3000E/MAX3001E/MAX3002/MAX3004–MAX3012		0.1	2	µA
		T _A = +25°C, EN A/B = 0, MAX3003		0.1	2	
I/O V _L _ Three-State Output Leakage Current		EN A/B = 0, MAX3003		0.1	2	µA
I/O V _L _ Pulldown Resistance During Shutdown		EN = 0, MAX3000E/MAX3001E/MAX3002/MAX3004–MAX3012	4.59		8.30	kΩ
EN or EN A/B Input Leakage Current		T _A = +25°C			1	µA
LOGIC-LEVEL THRESHOLDS						
I/O V _L _ Input-Voltage High Threshold	V _{IHL}				2/3 × V _L	V
I/O V _L _ Input-Voltage Low Threshold	V _{ILL}		1/3 × V _L			V
I/O V _{CC} _ Input-Voltage High Threshold	V _{IHC}				2/3 × V _{CC}	V
I/O V _{CC} _ Input-Voltage Low Threshold	V _{ILC}		1/3 × V _{CC}			V
EN, EN A/B Input-Voltage High Threshold	V _{IH}				V _L - 0.4	V
EN, EN A/B Input-Voltage Low Threshold	V _{IL}		0.4			V
I/O V _L _ Output-Voltage High	V _{OHL}	I/O V _L _ source current = 20µA, I/O V _{CC} _ ≥ V _{CC} - 0.4V	V _L - 0.4			V
I/O V _L _ Output-Voltage Low	V _{OLL}	I/O V _L _ sink current = 20µA, I/O V _{CC} _ ≤ 0.4V			0.4	V
I/O V _{CC} _ Output-Voltage High	V _{OHC}	I/O V _{CC} _ source current = 20µA, I/O V _L _ ≥ V _L - 0.4V	V _{CC} - 0.4			V
I/O V _{CC} _ Output-Voltage Low	V _{OLC}	I/O V _{CC} sink current = 20µA, I/O V _L _ ≤ 0.4V			0.4	V
ESD PROTECTION						
I/O V _{CC} _		Human Body Model, MAX3000E/MAX3001E		±15		kV

MAX3000E/MAX3001E/MAX3002–MAX3012

+1.2V to +5.5V, ±15kV ESD-Protected, 0.1µA, 35Mbps, 8-Channel Level Translators

TIMING CHARACTERISTICS

($V_{CC} = +1.65V$ to $+5.5V$, $V_L = +1.2V$ to V_{CC} , $EN = V_L$ (MAX3000E/MAX3001E/MAX3002/MAX3004-MAX3012), $EN\ A/B = V_L$ or 0 (MAX3003), $T_A = T_{MIN}$ to T_{MAX} . Typical values are at $V_{CC} = +1.65V$, $V_L = +1.2V$, and $T_A = +25^\circ C$.) (Notes 1, 2)

PARAMETER	SYMBOL	CONDITIONS	MIN	TYP	MAX	UNITS
I/O V_{CC} Rise Time	t_{RVCC}	$R_S = 50\Omega$, $C_{VCC} = 50pF$, MAX3000E, Figures 1a, 1b	400	800	1200	ns
		$R_S = 50\Omega$, $C_{VCC} = 50pF$, MAX3001E, Figures 1a, 1b		25	50	
		$R_S = 50\Omega$, $C_{VCC} = 50pF$, MAX3002-MAX3012, Figures 1a, 1b			15	
I/O V_{CC} Fall Time	t_{FVCC}	$R_S = 50\Omega$, $C_{VCC} = 50pF$, MAX3000E, Figures 1a, 1b	400	800	1200	ns
		$R_S = 50\Omega$, $C_{VCC} = 50pF$, MAX3001E, Figures 1a, 1b		25	50	
		$R_S = 50\Omega$, $C_{VCC} = 50pF$, MAX3002-MAX3012, Figures 1a, 1b			15	
I/O V_L Rise Time	t_{RVL}	$R_S = 50\Omega$, $C_{VL} = 50pF$, MAX3000E, Figures 2a, 2b	400	800	1200	ns
		$R_S = 50\Omega$, $C_{VL} = 50pF$, MAX3001E, Figures 2a, 2b		25	50	
		$R_S = 50\Omega$, $C_{VL} = 15pF$, MAX3002-MAX3012, Figures 2a, 2b			15	
I/O V_L Fall Time	t_{FVL}	$R_S = 50\Omega$, $C_{VL} = 50pF$, MAX3000E, Figures 2a, 2b	400	800	1200	ns
		$R_S = 50\Omega$, $C_{VL} = 50pF$, MAX3001E, Figures 2a, 2b		25	65	
		$R_S = 50\Omega$, $C_{VL} = 15pF$, MAX3002-MAX3012, Figures 2a, 2b			15	
Propagation Delay (Driving I/O V_L)	I/O V_L -VCC	$R_S = 50\Omega$, $C_{VCC} = 50pF$, MAX3000E, Figures 1a, 1b			1000	ns
		$R_S = 50\Omega$, $C_{VCC} = 50pF$, MAX3001E, Figures 1a, 1b			50	
		$R_S = 50\Omega$, $C_{VCC} = 50pF$, MAX3002-MAX3012, Figures 1a, 1b			20	
Propagation Delay (Driving I/O V_{CC})	I/O V_{CC} -VL	$R_S = 50\Omega$, $C_{VL} = 50pF$, MAX3000E, Figures 2a, 2b			1000	ns
		$R_S = 50\Omega$, $C_{VL} = 50pF$, MAX3001E, Figures 2a, 2b			50	
		$R_S = 50\Omega$, $C_{VL} = 15pF$, MAX3002-MAX3012, Figures 2a, 2b			20	

Note 1: All units are 100% production tested at $T_A = +25^\circ C$. Limits over the operating temperature range are guaranteed by design and not production tested.

Note 2: For normal operation, ensure that $V_L < V_{CC}$. During power-up, $V_L > V_{CC}$ does not damage the device.

+1.2V to +5.5V, ±15kV ESD-Protected, 0.1µA, 35Mbps, 8-Channel Level Translators

TIMING CHARACTERISTICS (continued)

(V_{CC} = +1.65V to +5.5V, V_L = +1.2V to V_{CC}, EN = V_L (MAX3000E/MAX3001E/MAX3002/MAX3004–MAX3012), EN A/B = V_L or 0 (MAX3003), T_A = T_{MIN} to T_{MAX}. Typical values are at V_{CC} = +1.65V, V_L = +1.2V, and T_A = +25°C.) (Notes 1, 2)

PARAMETER	SYMBOL	CONDITIONS	MIN	TYP	MAX	UNITS
Channel-to-Channel Skew	t _{SKEW}	R _S = 50Ω, C _{VCC} = 50pF, C _{VL} = 50pF, MAX3000E			500	ns
		R _S = 50Ω, C _{VCC} = 50pF, C _{VL} = 50pF, MAX3001E			10	
		R _S = 50Ω, C _{VCC} = 50pF, C _{VL} = 15pF, MAX3002–MAX3012			5	
Part-to-Part Skew	t _{PPSKEW}	R _S = 50Ω, C _{VCC} = 50pF, C _{VL} = 50pF, ΔT _A = +20°C, MAX3000E (Note 3)			800	ns
		R _S = 50Ω, C _{VCC} = 50pF, C _{VL} = 50pF, ΔT _A = +20°C, MAX3001E (Note 3)			30	
		R _S = 50Ω, C _{VCC} = 50pF, C _{VL} = 15pF, ΔT _A = +20°C, MAX3002–MAX3012 (Note 3)			10	
Propagation Delay from I/O V _{L_} to I/O V _{CC_} after EN	t _{EN-VCC}	C _{VCC} = 50pF, MAX3000E/MAX3001E, MAX3002–MAX3012, Figure 3			2	µs
Propagation Delay from I/O V _{CC_} to I/O V _{L_} after EN	t _{EN-VL}	C _{VL} = 50pF, MAX3000E/MAX3001E/MAX3002/MAX3004–MAX3012, Figure 4			2	µs
		C _{VL} = 15pF, MAX3003, Figure 4			2	
Maximum Data Rate		R _S = 50Ω, C _{VCC} = 50pF, C _{VL} = 50pF, MAX3000E	230			kbps
		R _S = 50Ω, C _{VCC} = 50pF, C _{VL} = 50pF, MAX3001E	4			Mbps
		R _S = 50Ω, C _{VCC} = 50pF, C _{VL} = 15pF, MAX3002–MAX3012	20			

Note 3: V_{CC} from device 1 must equal V_{CC} of device 2; V_L from device 1 must equal V_L of device 2.

MAX3000E/MAX3001E/MAX3002–MAX3012

+1.2V to +5.5V, ±15kV ESD-Protected, 0.1µA, 35Mbps, 8-Channel Level Translators

TIMING CHARACTERISTICS—MAX3002–MAX3012

(V_{CC} = +1.65V to +5.5V, V_L = +1.2V to V_{CC}, EN = V_L (MAX3002/MAX3004–MAX3012), EN A/B = V_L or 0 (MAX3003), T_A = T_{MIN} to T_{MAX}.) (Notes 1, 2)

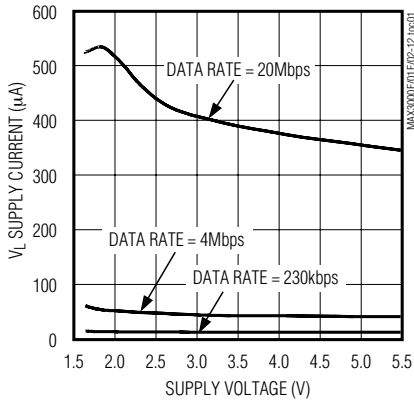
PARAMETER	SYMBOL	CONDITIONS	MIN	TYP	MAX	UNITS
+1.2V ≤ V_L ≤ V_{CC} ≤ +3.3V						
I/O V _{CC} _ Rise Time	t _{RVCC}				15	ns
I/O V _{CC} _ Fall Time	t _{FVCC}				15	ns
I/O V _L _ Rise Time	t _{RVL}				15	ns
I/O V _L _ Fall Time	t _{FVL}				15	ns
Propagation Delay	I/O _V L-V _{CC}	Driving I/O V _L _			15	ns
	I/O _V CC-V _L	Driving I/O V _{CC} _			15	
Channel-to-Channel Skew	t _{SKEW}	Each translator equally loaded			5	ns
Maximum Data Rate			20			Mbps
+2.5V ≤ V_L ≤ V_{CC} ≤ +3.3V						
I/O V _{CC} _ Rise Time	t _{RVCC}				8.5	ns
I/O V _{CC} _ Fall Time	t _{FVCC}				8.5	ns
I/O V _L _ Rise Time	t _{RVL}				8.5	ns
I/O V _L _ Fall Time	t _{FVL}				8.5	ns
Propagation Delay	I/O _V L-V _{CC}	Driving I/O V _L _			8.5	ns
	I/O _V CC-V _L	Driving I/O V _{CC} _			8.5	
Channel-to-Channel Skew	t _{SKEW}	Each translator equally loaded			10	ns
Maximum Data Rate			35			Mbps
+1.8V ≤ V_L ≤ V_{CC} ≤ +2.5V						
I/O V _{CC} _ Rise Time	t _{RVCC}				10	ns
I/O V _{CC} _ Fall Time	t _{FVCC}				10	ns
I/O V _L _ Rise Time	t _{RVL}				10	ns
I/O V _L _ Fall Time	t _{FVL}				10	ns
Propagation Delay	I/O _V L-V _{CC}	Driving I/O V _L _			15	ns
	I/O _V CC-V _L	Driving I/O V _{CC} _			10	
Channel-to-Channel Skew	t _{SKEW}	Each translator equally loaded			5	ns
Maximum Data Rate			30			Mbps

+1.2V to +5.5V, ±15kV ESD-Protected, 0.1μA, 35Mbps, 8-Channel Level Translators

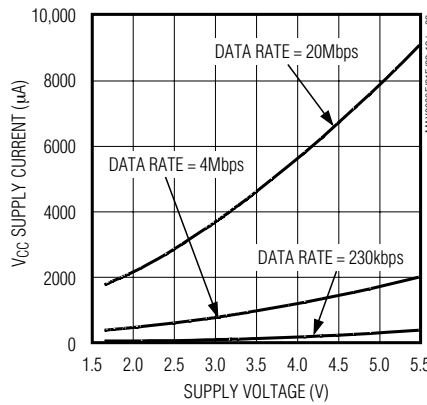
Typical Operating Characteristics

($T_A = +25^\circ\text{C}$, unless otherwise noted.)

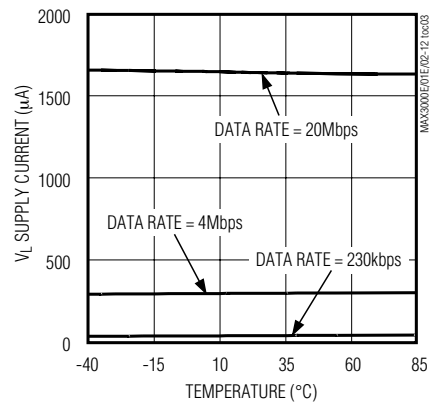
V_L SUPPLY CURRENT vs. SUPPLY VOLTAGE
(DRIVING I/O V_L , $V_L = 1.8\text{V}$)



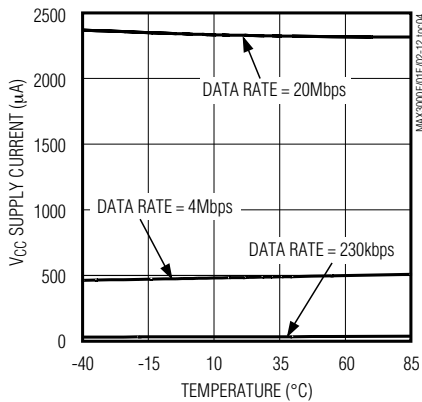
V_{CC} SUPPLY CURRENT vs. SUPPLY VOLTAGE
(DRIVING I/O V_L , $V_L = 1.8\text{V}$)



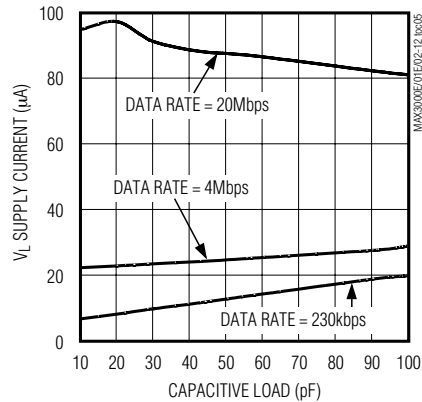
V_L SUPPLY CURRENT vs. TEMPERATURE
(DRIVING I/O V_{CC} , $V_{CC} = 3.3\text{V}$, $V_L = 1.8\text{V}$)



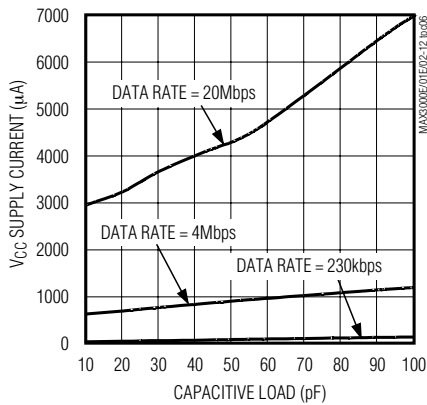
V_{CC} SUPPLY CURRENT vs. TEMPERATURE
(DRIVING I/O V_{CC} , $V_{CC} = 3.3\text{V}$, $V_L = 1.8\text{V}$)



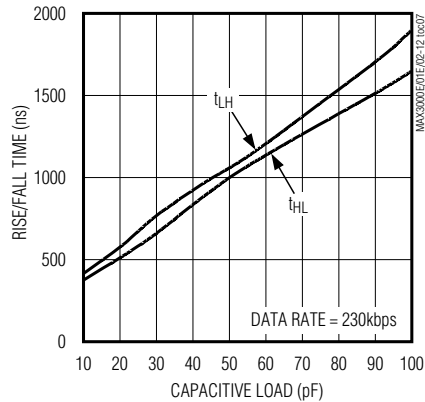
V_L SUPPLY CURRENT vs. CAPACITIVE LOAD ON I/O V_{CC} (DRIVING I/O V_L , $V_{CC} = 3.3\text{V}$, $V_L = 1.8\text{V}$)



V_{CC} SUPPLY CURRENT vs. CAPACITIVE LOAD ON I/O V_{CC} (DRIVING I/O V_L , $V_{CC} = 3.3\text{V}$, $V_L = 1.8\text{V}$)



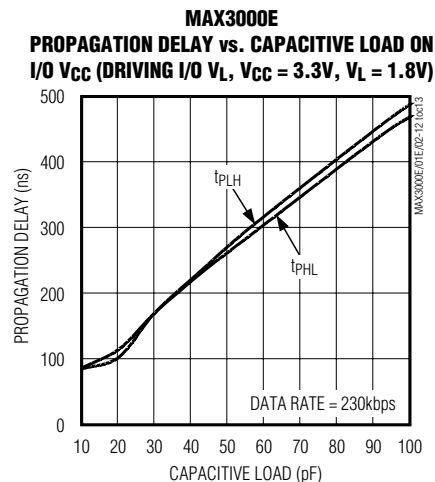
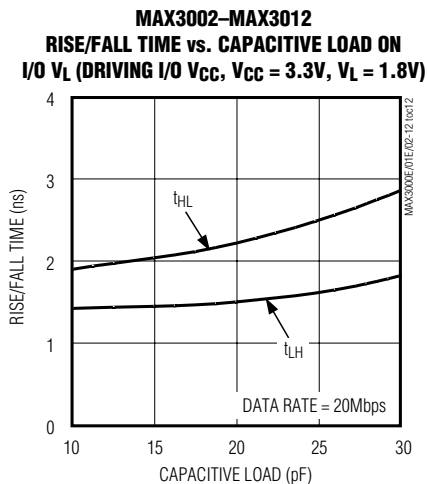
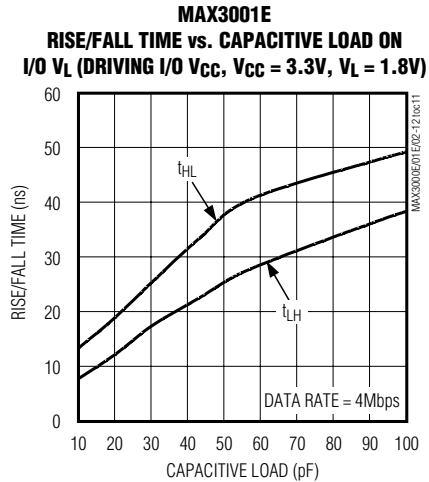
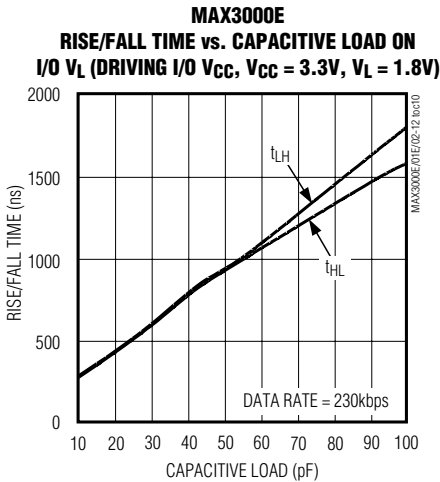
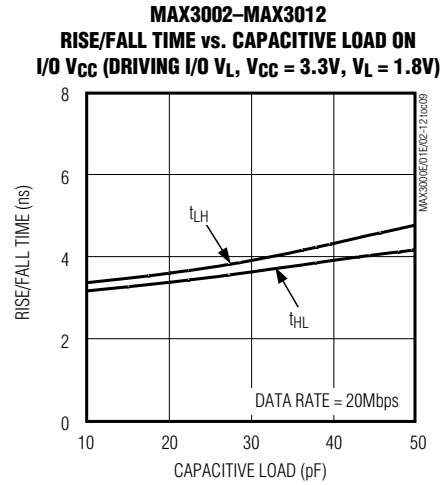
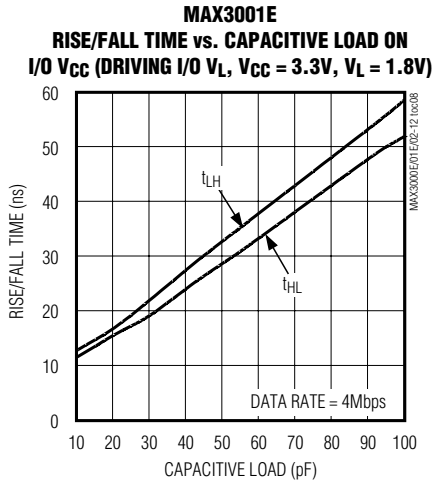
MAX3000E
RISE/FALL TIME vs. CAPACITIVE LOAD ON I/O V_{CC} (DRIVING I/O V_L , $V_{CC} = 3.3\text{V}$, $V_L = 1.8\text{V}$)



+1.2V to +5.5V, ±15kV ESD-Protected, 0.1µA, 35Mbps, 8-Channel Level Translators

Typical Operating Characteristics (continued)

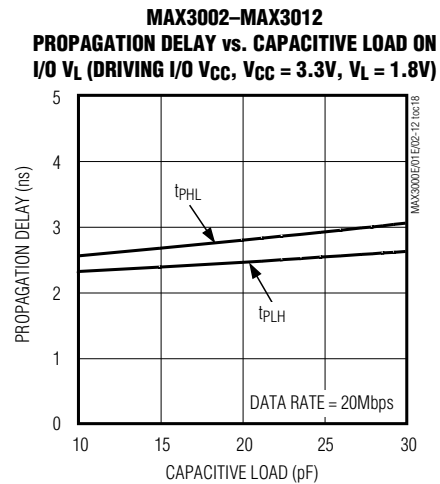
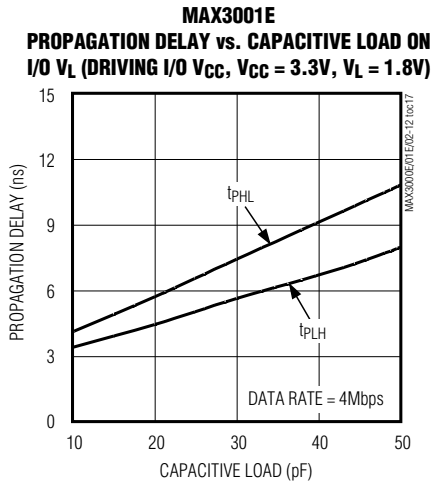
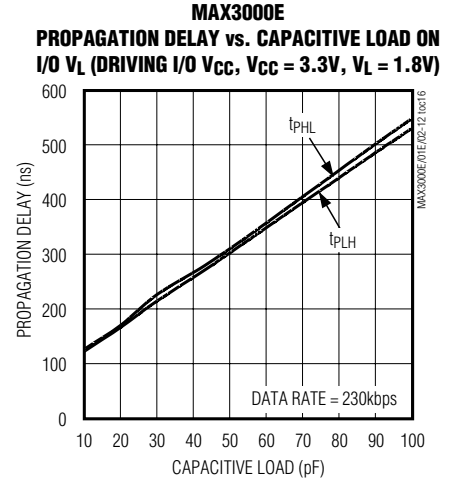
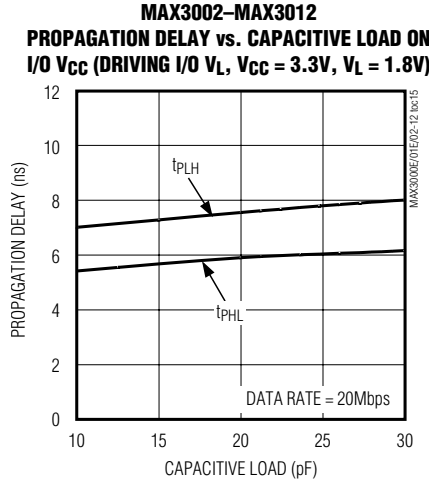
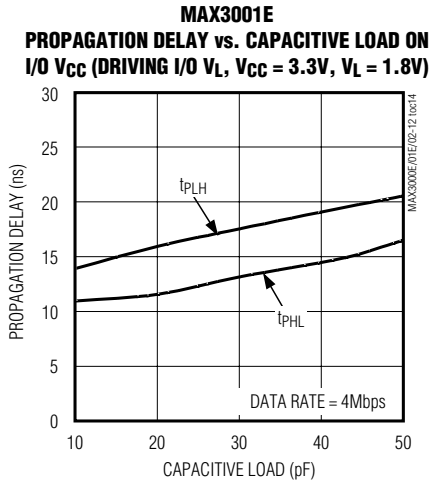
(T_A = +25°C, unless otherwise noted.)



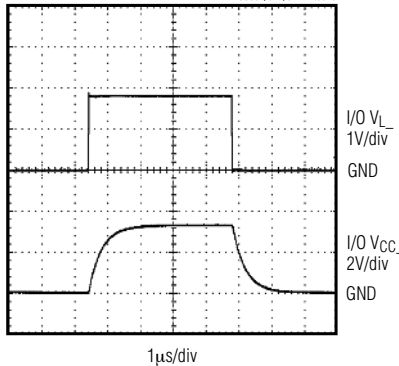
+1.2V to +5.5V, ±15kV ESD-Protected, 0.1µA, 35Mbps, 8-Channel Level Translators

Typical Operating Characteristics (continued)

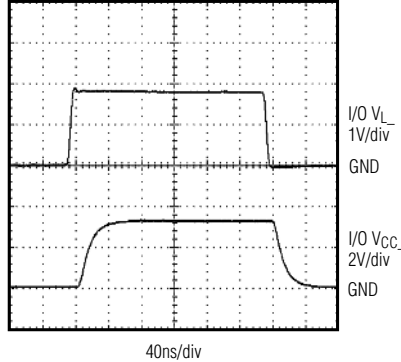
(T_A = +25°C, unless otherwise noted.)



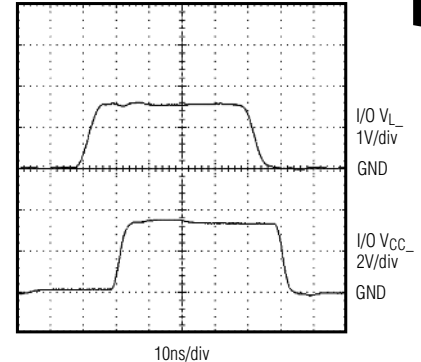
MAX3000E RAIL-TO-RAIL DRIVING
 (DRIVING I/O V_L, V_{CC} = 3.3V, V_L = 1.8V, C_{VCC} = 50pF, DATA RATE = 230kpbs)



MAX3001E RAIL-TO-RAIL DRIVING
 (DRIVING I/O V_L, V_{CC} = 3.3V, V_L = 1.8V, C_{VCC} = 50pF, DATA RATE = 4Mbps)



MAX3002–MAX3012 RAIL-TO-RAIL DRIVING
 (DRIVING I/O V_L, V_{CC} = 3.3V, V_L = 1.8V, C_{VCC} = 50pF, DATA RATE = 20Mbps)



MAX3000E/MAX3001E/MAX3002-MAX3012

+1.2V to +5.5V, ±15kV ESD-Protected, 0.1µA, 35Mbps, 8-Channel Level Translators

Pin Description

MAX3000E/MAX3001E/MAX3002

TSSOP	PIN		NAME	FUNCTION
	UCSP	TQFN		
1	B1	19	I/O V _{L1}	Input/Output 1, Referenced to V _L
2	A1	20	V _L	Logic Input Voltage, +1.2V ≤ V _L ≤ V _{CC} . Bypass V _L to GND with a 0.1µF capacitor.
3	A2	1	I/O V _{L2}	Input/Output 2, Referenced to V _L
4	B2	2	I/O V _{L3}	Input/Output 3, Referenced to V _L
5	A3	3	I/O V _{L4}	Input/Output 4, Referenced to V _L
6	B3	4	I/O V _{L5}	Input/Output 5, Referenced to V _L
7	A4	5	I/O V _{L6}	Input/Output 6, Referenced to V _L
8	B4	6	I/O V _{L7}	Input/Output 7, Referenced to V _L
9	A5	7	I/O V _{L8}	Input/Output 8, Referenced to V _L
10	B5	8	EN	Enable Input. If EN is pulled low, I/O V _{CC1} to I/O V _{CC8} are in three-state, while I/O V _{L1} to I/O V _{L8} have internal 6kΩ pulldown resistors. Drive EN high (V _L) for normal operation.
11	C5	9	GND	Ground
12	D5	10	I/O V _{CC8}	Input/Output 8, Referenced to V _{CC}
13	C4	11	I/O V _{CC7}	Input/Output 7, Referenced to V _{CC}
14	D4	12	I/O V _{CC6}	Input/Output 6, Referenced to V _{CC}
15	C3	13	I/O V _{CC5}	Input/Output 5, Referenced to V _{CC}
16	D3	14	I/O V _{CC4}	Input/Output 4, Referenced to V _{CC}
17	C2	15	I/O V _{CC3}	Input/Output 3, Referenced to V _{CC}
18	D2	16	I/O V _{CC2}	Input/Output 2, Referenced to V _{CC}
19	C1	17	V _{CC}	V _{CC} Input Voltage, +1.65V ≤ V _{CC} ≤ +5.5V. Bypass V _{CC} to GND with a 0.1µF capacitor.
20	D1	18	I/O V _{CC1}	Input/Output 1, Referenced to V _{CC}
—	—	EP	EP	Exposed Pad. Connect to GND.

MAX3000E/MAX3001E/MAX3002-MAX3012

+1.2V to +5.5V, ±15kV ESD-Protected, 0.1µA, 35Mbps, 8-Channel Level Translators

Pin Description (continued)

MAX3003

PIN			NAME	FUNCTION
TSSOP	UCSP	TQFN		
1	B1	19	I/O V _L 1A	Input/Output 1A, Referenced to V _L
2	A1	20	V _L	Logic Input Voltage, +1.2V ≤ V _L ≤ V _{CC} . Bypass V _L to GND with a 0.1µF capacitor.
3	A2	1	I/O V _L 2A	Input/Output 2A, Referenced to V _L
4	B2	2	I/O V _L 3A	Input/Output 3A, Referenced to V _L
5	A3	3	I/O V _L 4A	Input/Output 4A, Referenced to V _L
6	B3	4	I/O V _L 1B	Input/Output 1B, Referenced to V _L
7	A4	5	I/O V _L 2B	Input/Output 2B, Referenced to V _L
8	B4	6	I/O V _L 3B	Input/Output 3B, Referenced to V _L
9	A5	7	I/O V _L 4B	Input/Output 4B, Referenced to V _L
10	B5	8	EN A/B	Enable Input. If EN A/B is pulled low, channels 1B through 4B are active, and channels 1A through 4A are in three-state. If EN A/B is driven high to V _L , channels 1A through 4A are active, and channels 1B through 4B are in three-state.
11	C5	9	GND	Ground
12	D5	10	I/O V _{CC} 4B	Input/Output 4B, Referenced to V _{CC}
13	C4	11	I/O V _{CC} 3B	Input/Output 3B, Referenced to V _{CC}
14	D4	12	I/O V _{CC} 2B	Input/Output 2B, Referenced to V _{CC}
15	C3	13	I/O V _{CC} 1B	Input/Output 1B, Referenced to V _{CC}
16	D3	14	I/O V _{CC} 4A	Input/Output 4A, Referenced to V _{CC}
17	C2	15	I/O V _{CC} 3A	Input/Output 3A, Referenced to V _{CC}
18	D2	16	I/O V _{CC} 2A	Input/Output 2A, Referenced to V _{CC}
19	C1	17	V _{CC}	V _{CC} Input Voltage, +1.65V ≤ V _{CC} ≤ +5.5V. Bypass V _{CC} to GND with a 0.1µF capacitor.
20	D1	18	I/O V _{CC} 1A	Input/Output 1A, Referenced to V _{CC}
—	—	EP	EP	Exposed Pad. Connect to GND.

MAX3000E/MAX3001E/MAX3002-MAX3012

+1.2V to +5.5V, ±15kV ESD-Protected, 0.1µA, 35Mbps, 8-Channel Level Translators

Pin Description (continued)

MAX3004–MAX3012

NAME	FUNCTION (Note 1)
V _{CC}	V _{CC} Input Voltage, +1.65V < V _{CC} < +5.5V. Bypass V _{CC} to GND with a 0.1µF capacitor.
V _L	Logic Input Voltage, +1.2V ≤ V _L ≤ V _{CC} . Bypass V _L to GND with a 0.1µF capacitor.
GND	Ground
EN (MAX3004)	Enable Input. If EN is pulled low, OV _{CC} 1–OV _{CC} 8 are in three-state, while IV _L 1–IV _L 8 have 6kΩ pull-down resistors. Drive EN high (V _L) for normal operation.
EN (MAX3005)	Enable Input. If EN is pulled low, IV _{CC} 1 and OV _{CC} 2–OV _{CC} 8 are in three-state, while OV _L 1 and IV _L 2–IV _L 8 have 6kΩ pull-down resistors. Drive EN high (V _L) for normal operation.
EN (MAX3006)	Enable Input. If EN is pulled low, IV _{CC} 1, IV _{CC} 2, and OV _{CC} 3–OV _{CC} 8 are in three-state, while OV _L 1, OV _L 2, and IV _L 3–IV _L 8 have 6kΩ pull-down resistors. Drive EN high (V _L) for normal operation.
EN (MAX3007)	Enable Input. If EN is pulled low, IV _{CC} 1, IV _{CC} 2, IV _{CC} 3, and OV _{CC} 4–OV _{CC} 8 are in three-state, while OV _L 1, OV _L 2, OV _L 3, and IV _L 4–IV _L 8 have 6kΩ pull-down resistors. Drive EN high (V _L) for normal operation.
EN (MAX3008)	Enable Input. If EN is pulled low, IV _{CC} 1–IV _{CC} 4 and OV _{CC} 5–OV _{CC} 8 are in three-state, while OV _L 1–OV _L 4 and IV _L 5–IV _L 8 have 6kΩ pull-down resistors. Drive EN high (V _L) for normal operation.
EN (MAX3009)	Enable Input. If EN is pulled low, IV _{CC} 1–IV _{CC} 5, OV _{CC} 6, OV _{CC} 7, and OV _{CC} 8 are in three-state, while OV _L 1–OV _L 5, IV _L 6, IV _L 7, and IV _L 8 have 6kΩ pull-down resistors. Drive EN high (V _L) for normal operation.
EN (MAX3010)	Enable Input. If EN is pulled low, IV _{CC} 1–IV _{CC} 6, OV _{CC} 7, and OV _{CC} 8 are in three-state, while OV _L 1–OV _L 6, IV _L 7, and IV _L 8 have 6kΩ pull-down resistors. Drive EN high (V _L) for normal operation.
EN (MAX3011)	Enable Input. If EN is pulled low, IV _{CC} 1–IV _{CC} 7 and OV _{CC} 8 are in three-state, while OV _L 1–OV _L 7 and IV _L 8 have 6kΩ pull-down resistors. Drive EN high (V _L) for normal operation.
EN (MAX3012)	Enable Input. If EN is pulled low, IV _{CC} 1–IV _{CC} 8 are in three-state, while OV _L 1–OV _L 8 have 6kΩ pull-down resistors. Drive EN high (V _L) for normal operation.
IV _L 1–IV _L 8	Inputs Referenced to V _L , Numbers 1 to 8
OV _L 1–OV _L 8	Outputs Referenced to V _L , Numbers 1 to 8
IV _{CC} 1–IV _{CC} 8	Inputs Referenced to V _{CC} , Numbers 1 to 8
OV _{CC} 1–OV _{CC} 8	Outputs Referenced to V _{CC} , Numbers 1 to 8

Note 1: For specific pin numbers, see the *Pin Configurations*.

+1.2V to +5.5V, ±15kV ESD-Protected, 0.1µA, 35Mbps, 8-Channel Level Translators

Test Circuits/Timing Diagrams

MAX3000E/MAX3001E/MAX3002-MAX3012

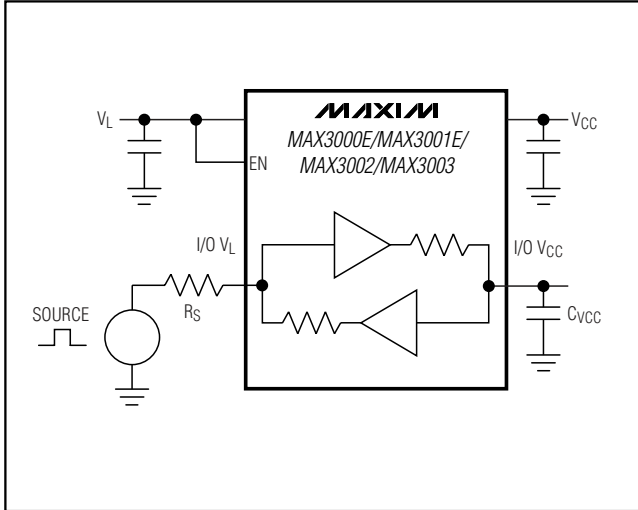


Figure 1a. Driving I/O VL

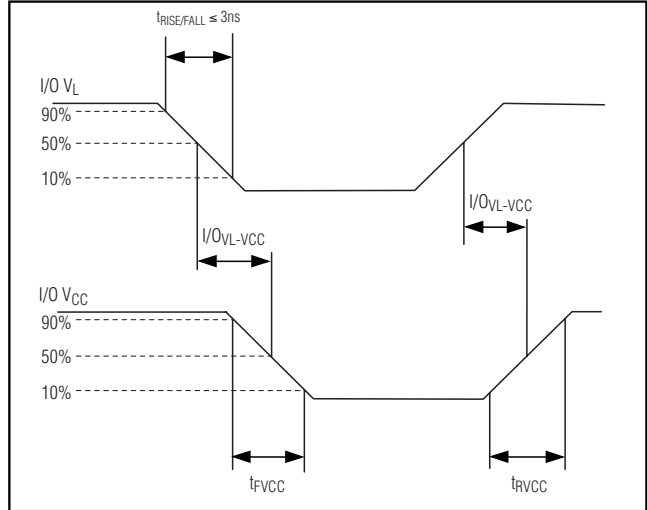


Figure 1b. Timing for Driving I/O VL

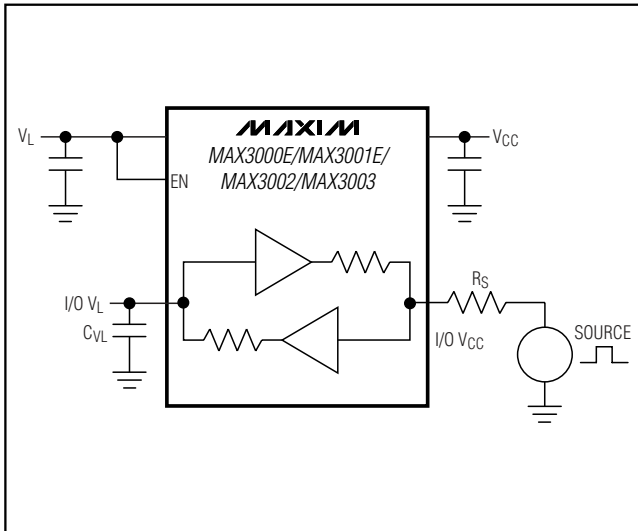


Figure 2a. Driving I/O VCC

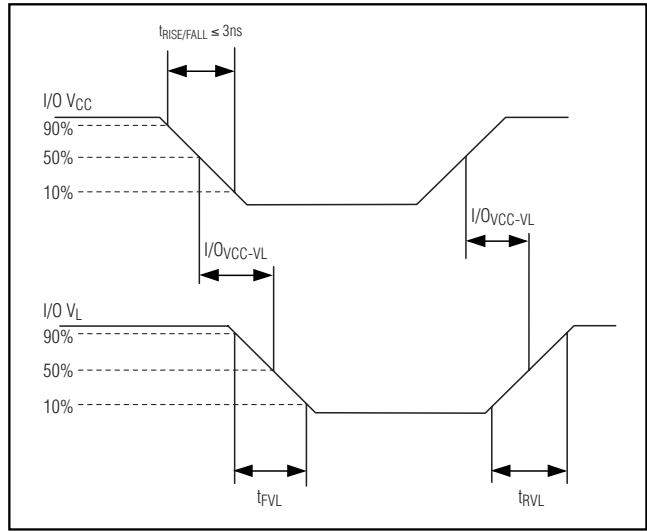


Figure 2b. Timing for Driving I/O VCC

+1.2V to +5.5V, ±15kV ESD-Protected, 0.1µA, 35Mbps, 8-Channel Level Translators

Test Circuits/Timing Diagrams (continued)

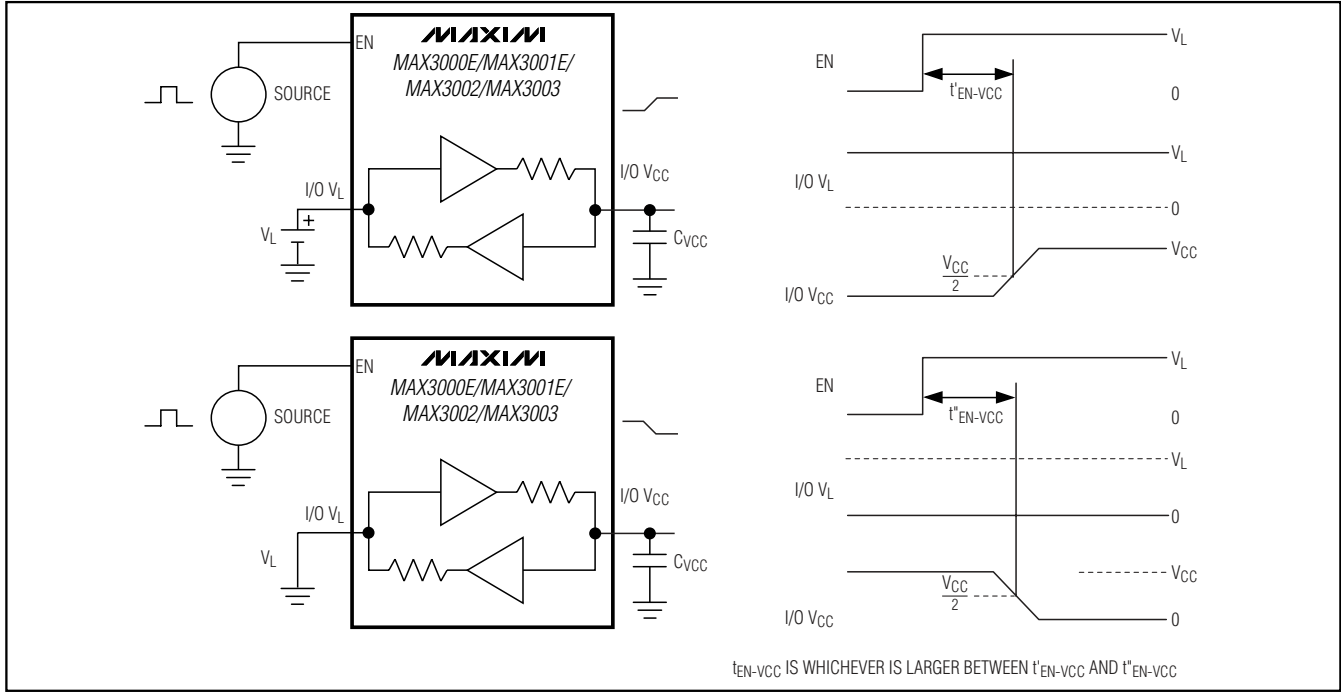


Figure 3. Propagation Delay from I/O VL to I/O VCC After EN

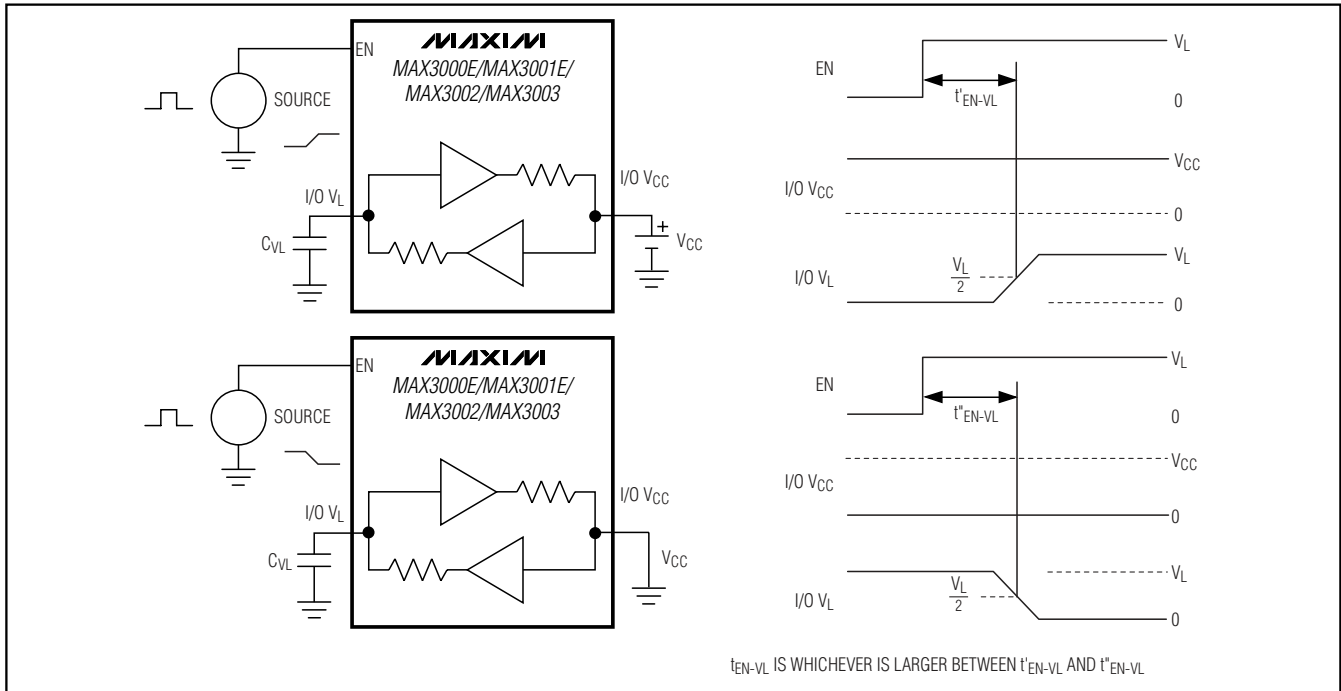


Figure 4. Propagation Delay from I/O VCC to I/O VL After EN

+1.2V to +5.5V, ±15kV ESD-Protected, 0.1μA, 35Mbps, 8-Channel Level Translators

Detailed Description

The MAX3000E/MAX3001E/MAX3002–MAX3012 logic-level translators provide the level shifting necessary to allow data transfer in a multivoltage system. Externally applied voltages, V_{CC} and V_L , set the logic levels on either side of the device. Logic signals present on the V_L side of the device appear as a higher voltage logic signal on the V_{CC} side of the device, and vice-versa. The MAX3000E/MAX3001E/MAX3002/MAX3003 are bidirectional level translators allowing data translation in either direction ($V_L \leftrightarrow V_{CC}$) on any single data line. These devices use an architecture specifically designed to be bidirectional without the use of a direction pin. The MAX3004–MAX3012 unidirectional level translators level shift data in one direction ($V_L \rightarrow V_{CC}$ or $V_{CC} \rightarrow V_L$) on any single data line. The MAX3000E/MAX3001E/MAX3002–MAX3012 accept V_L from +1.2V to +5.5V. All devices have V_{CC} ranging from +1.65V to +5.5V, making them ideal for data transfer between low-voltage ASICs/PLDs and higher voltage systems.

The MAX3000E/MAX3001E/MAX3002/MAX3004–MAX3012 feature an output enable mode that reduces V_{CC} supply current to less than 2μA, and V_L supply current to less than 2μA when in shutdown. The MAX3000E/MAX3001E have ±15kV ESD protection on the V_{CC} side for greater protection in applications that route signals externally. The MAX3000E operates at a guaranteed data rate of 230kbps; the MAX3001E operates at a guaranteed data rate of 4Mbps and the MAX3002–MAX3012 are guaranteed with a data rate of 20Mbps of operation over the entire specified operating voltage range.

Level Translation

For proper operation, ensure that $+1.65V \leq V_{CC} \leq +5.5V$, $+1.2V \leq V_L \leq +5.5V$, and $V_L \leq V_{CC}$. During power-up sequencing, $V_L \geq V_{CC}$ does not damage the device. During power-supply sequencing, when V_{CC} is floating and V_L is powering up, up to 10mA current can be sourced to each load on the V_L side, yet the device does not latch up.

The maximum data rate also depends heavily on the load capacitance (see the *Typical Operating Characteristics*), output impedance of the driver, and the operational voltage range (see the *Timing Characteristics* table).

Input Driver Requirements

The MAX3001E/MAX3002–MAX3012 architecture is based on a one-shot accelerator output stage. See Figure 5. Accelerator output stages are always in three-

state except when there is a transition on any of the translators on the input side, either I/O V_L or I/O V_{CC} .

When there is such a transition, the accelerator stages become active, charging (discharging) the capacitances at the I/Os. Due to its bidirectional nature, both stages become active during the one-shot pulse. This can lead to some current feeding into the external source that is driving the translator. However, this behavior helps to speed up the transition on the driven side.

For proper full-speed operation, the output current of a device that drives the inputs of the MAX3000E/MAX3001E/MAX3002–MAX3012 should meet the following requirements:

- MAX3000E (230kbps):
 $i > 1\text{mA}$, $R_{drv} < 1\text{k}\Omega$
- MAX3001E (4Mbps):
 $i > 10^7 \times V \times (C + 10\text{pF})$
- MAX3002–MAX3012 (20Mbps):
 $i > 10^8 \times V \times (C + 10\text{pF})$

where i is the driver output current, V is the logic-supply voltage (i.e., V_L or V_{CC}) and C is the parasitic capacitance of the signal line.

Enable Output Mode (EN, EN A/B)

The MAX3000E/MAX3001E/MAX3002 and the MAX3004–MAX3012 feature an EN input, and the MAX3003 has an EN A/B input. Pull EN low to set the MAX3000E/MAX3001E/MAX3002/MAX3004–MAX3012s' I/O V_{CC} 1 through I/O V_{CC} 8 in three-state output mode, while I/O V_L 1 through I/O V_L 8 have internal 6kΩ pulldown resistors. Drive EN to logic-high (V_L) for normal operation. The MAX3003 is intended for bus multiplexing or bus switching applications. Drive EN A/B low to place channels 1B through 4B in active mode, while channels 1A through 4A are in three-state mode. Drive EN A/B to logic-high (V_L) to enable channels 1A through 4A, while channels 1B through 4B remain in three-state mode.

±15kV ESD Protection

As with all Maxim devices, ESD-protection structures are incorporated on all pins to protect against electrostatic discharges encountered during handling and assembly. The I/O V_{CC} lines have extra protection against static discharge. Maxim's engineers have developed state-of-the-art structures to protect these pins against ESD of ±15kV without damage. The ESD structures withstand high ESD in all states: normal operation, three-state output mode, and powered down. After an ESD event, Maxim's E versions keep working without latchup, whereas competing products can latch and must be powered down to remove latchup.

+1.2V to +5.5V, ±15kV ESD-Protected, 0.1µA, 35Mbps, 8-Channel Level Translators

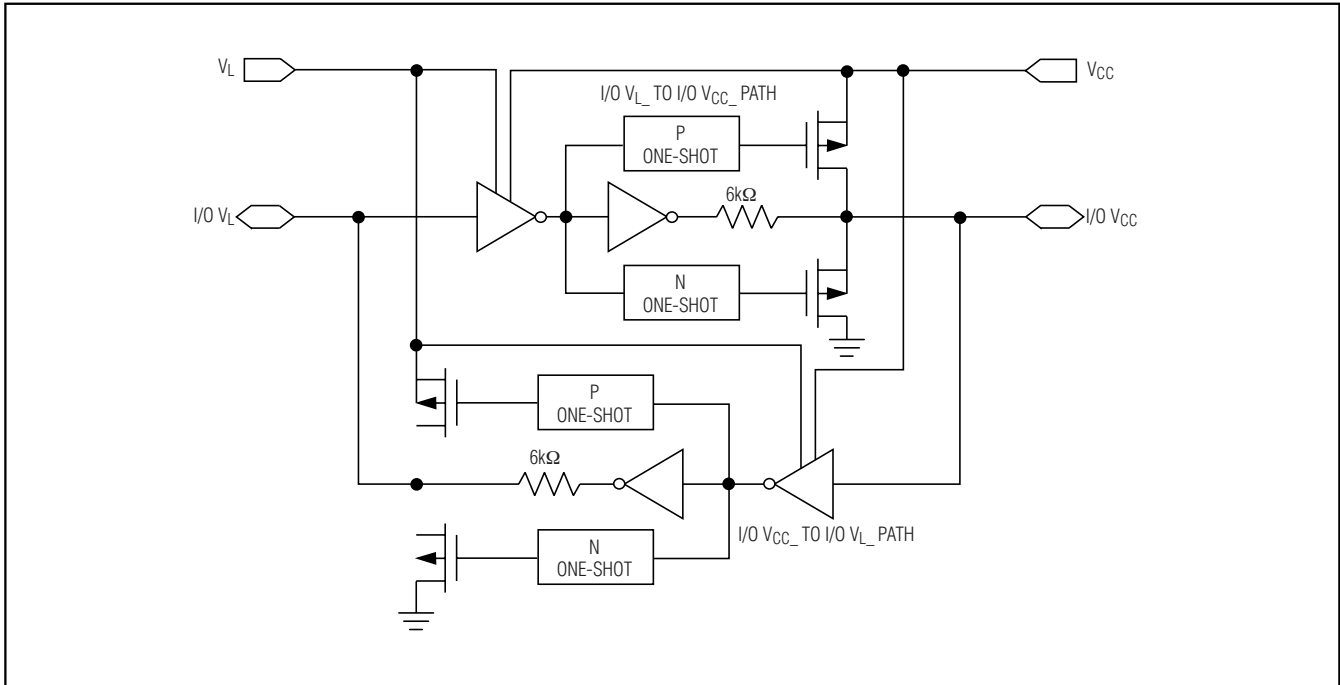


Figure 5. MAX3001E/MAX3002-MAX3012 Simplified Functional Diagram (1 I/O Line)

ESD protection can be tested in various ways. The I/O V_{CC} lines of the MAX3000E/MAX3001E are characterized for protection to ±15kV using the Human Body Model.

ESD Test Conditions

ESD performance depends on a variety of conditions. Contact Maxim for a reliability report that documents test setup, test methodology, and test results.

Human Body Model

Figure 7a shows the Human Body Model and Figure 7b shows the current waveform it generates when discharged into a low impedance. This model consists of a 100pF capacitor charged to the ESD voltage of interest, which is then discharged into the test device through a 1.5kΩ resistor.

Machine Model

The Machine Model for ESD tests all pins using a 200pF storage capacitor and zero discharge resistance. Its objective is to emulate the stress caused by contact that occurs with handling and assembly during manufacturing. Of course, all pins require this protection during manufacturing, not just inputs and outputs. Therefore, after PCB assembly, the Machine Model is less relevant to I/O ports.

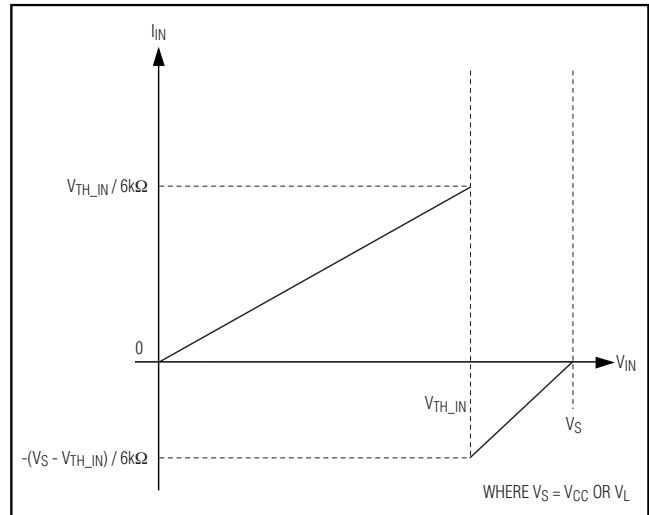


Figure 6. Typical I_{IN} vs. V_{IN}

+1.2V to +5.5V, ±15kV ESD-Protected, 0.1µA, 35Mbps, 8-Channel Level Translators

Applications Information

Power-Supply Decoupling

To reduce ripple and the chance of transmitting incorrect data, bypass V_L and V_{CC} to ground with a 0.1µF capacitor. To ensure full ±15kV ESD protection, bypass V_{CC} to ground with a 1µF capacitor. Place all capacitors as close to the power-supply inputs as possible.

I²C Level Translation

For I²C level translation for I²C applications, please refer to the MAX3372E–MAX3379E/MAX3390E–MAX3393E datasheet.

Unidirectional vs. Bidirectional Level Translator

The MAX3000E/MAX3001E/MAX3002/MAX3003 bidirectional translators can operate as a unidirectional device to translate signals without inversion. The MAX3004–MAX3012 unidirectional level translators, level-shift data in one direction ($V_L \rightarrow V_{CC}$ or $V_{CC} \rightarrow V_L$) on any single data line (see the *Ordering Information*.) These devices provide the smallest solution (UCSP package) for unidirectional level translation without inversion.

MAX3000E/MAX3001E/MAX3002-MAX3012

+1.2V to +5.5V, ±15kV ESD-Protected, 0.1µA, 35Mbps, 8-Channel Level Translators

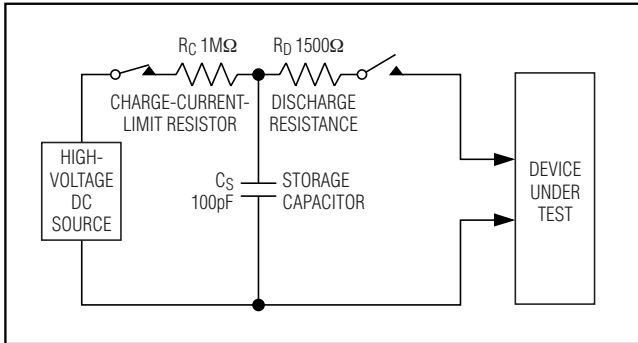


Figure 7a. Human Body ESD Test Model

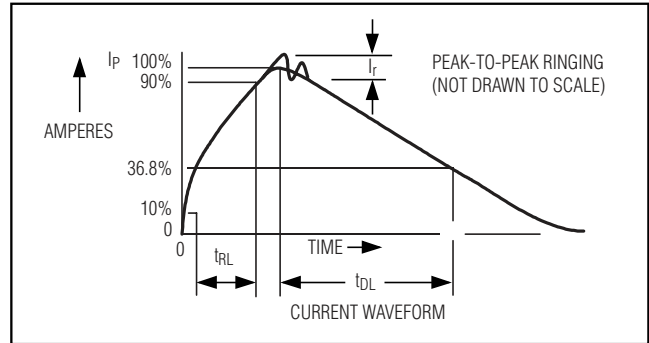


Figure 7b. Human Body Current Waveform

Selector Guide

PART	EN	EN A/B	Tx/Rx*	DATA RATE	ESD PROTECTION (kV)
MAX3000E	√	—	8/8	230kbps	±15
MAX3001E	√	—	8/8	4Mbps	±15
MAX3002	√	—	8/8	**	±2
MAX3003	—	√	8/8	**	±2
MAX3004	√	—	8/0	**	±2
MAX3005	√	—	7/1	**	±2
MAX3006	√	—	6/2	**	±2
MAX3007	√	—	5/3	**	±2
MAX3008	√	—	4/4	**	±2
MAX3009	√	—	3/5	**	±2
MAX3010	√	—	2/6	**	±2
MAX3011	√	—	1/7	**	±2
MAX3012	√	—	0/8	**	±2

*Tx = VL → VCC; Rx = VCC → VL

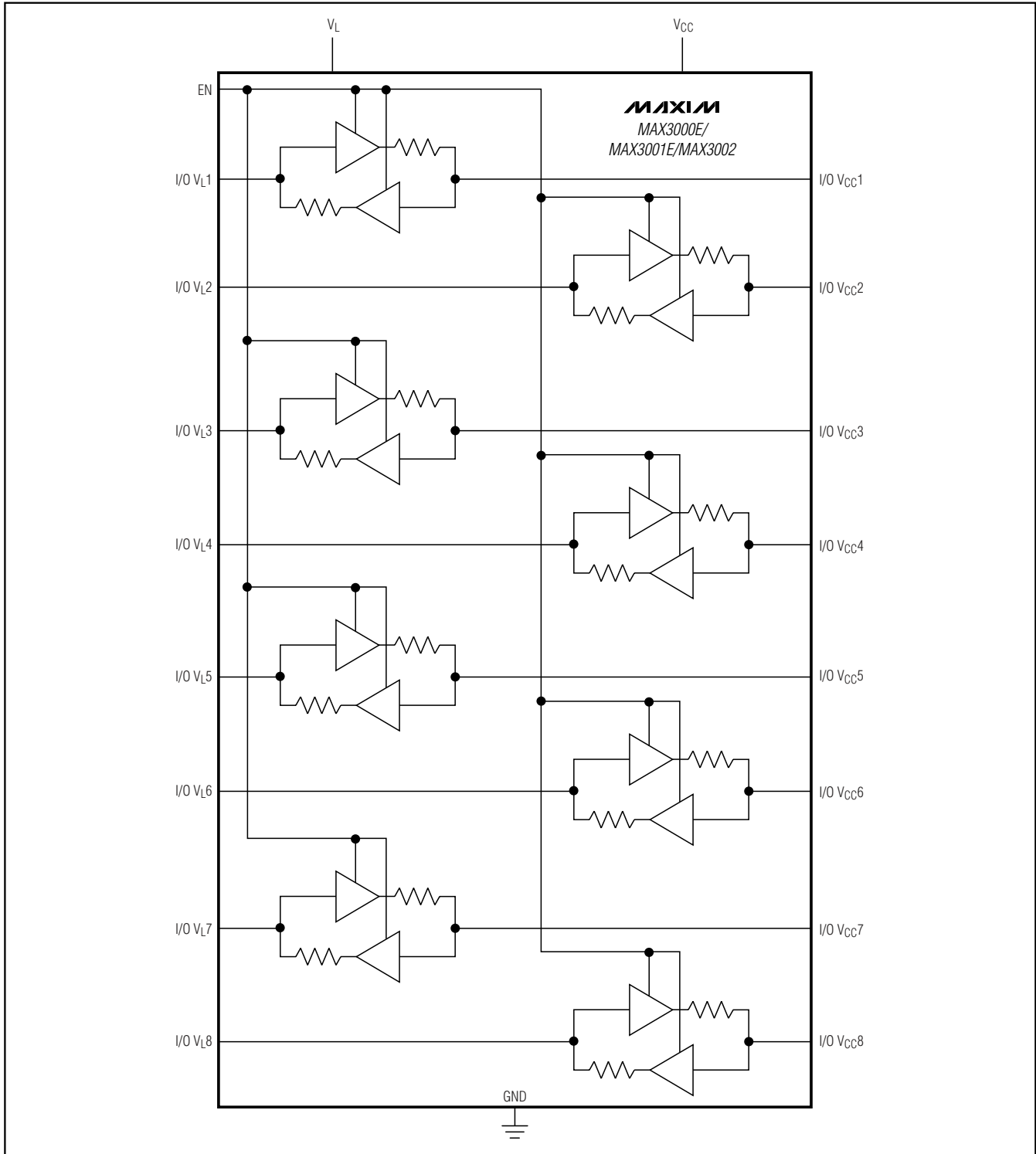
**See Table 1.

Table 1. Data Rate

VL ↔ VCC (V)	MAX3002–MAX3012 GUARANTEED DATA RATE (Mbps)
1.2 ↔ 5.5	40
1.2 ↔ 3.3	20
2.5 ↔ 3.3	35
1.8 ↔ 2.5	30
1.2 ↔ 2.5	20
1.2 ↔ 1.8	20

+1.2V to +5.5V, ±15kV ESD-Protected, 0.1µA, 35Mbps, 8-Channel Level Translators

MAX3000E/MAX3001E/MAX3002 Functional Diagram

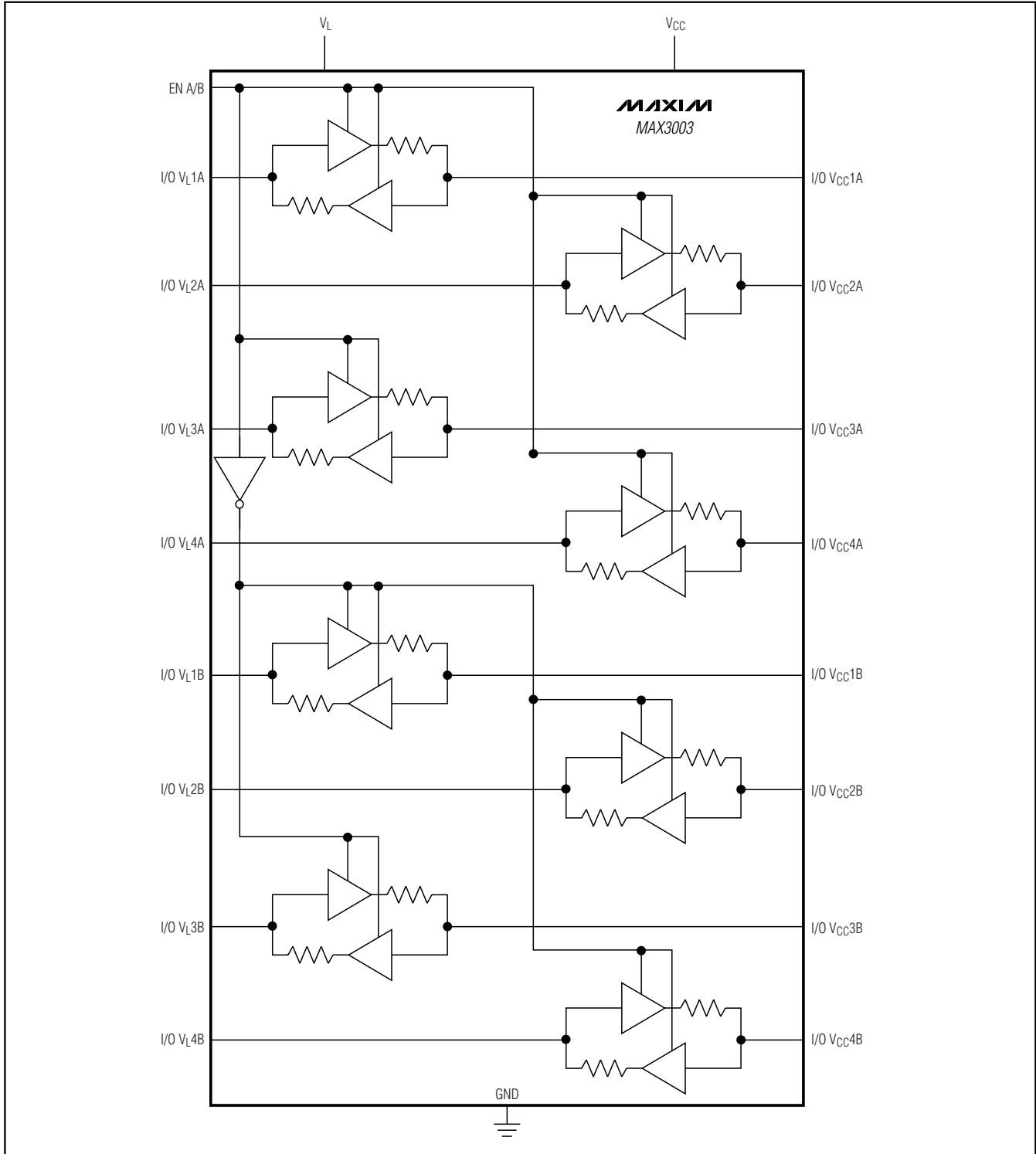


MAX3000E/MAX3001E/MAX3002-MAX3012

+1.2V to +5.5V, ±15kV ESD-Protected, 0.1µA, 35Mbps, 8-Channel Level Translators

MAX3003 Functional Diagram

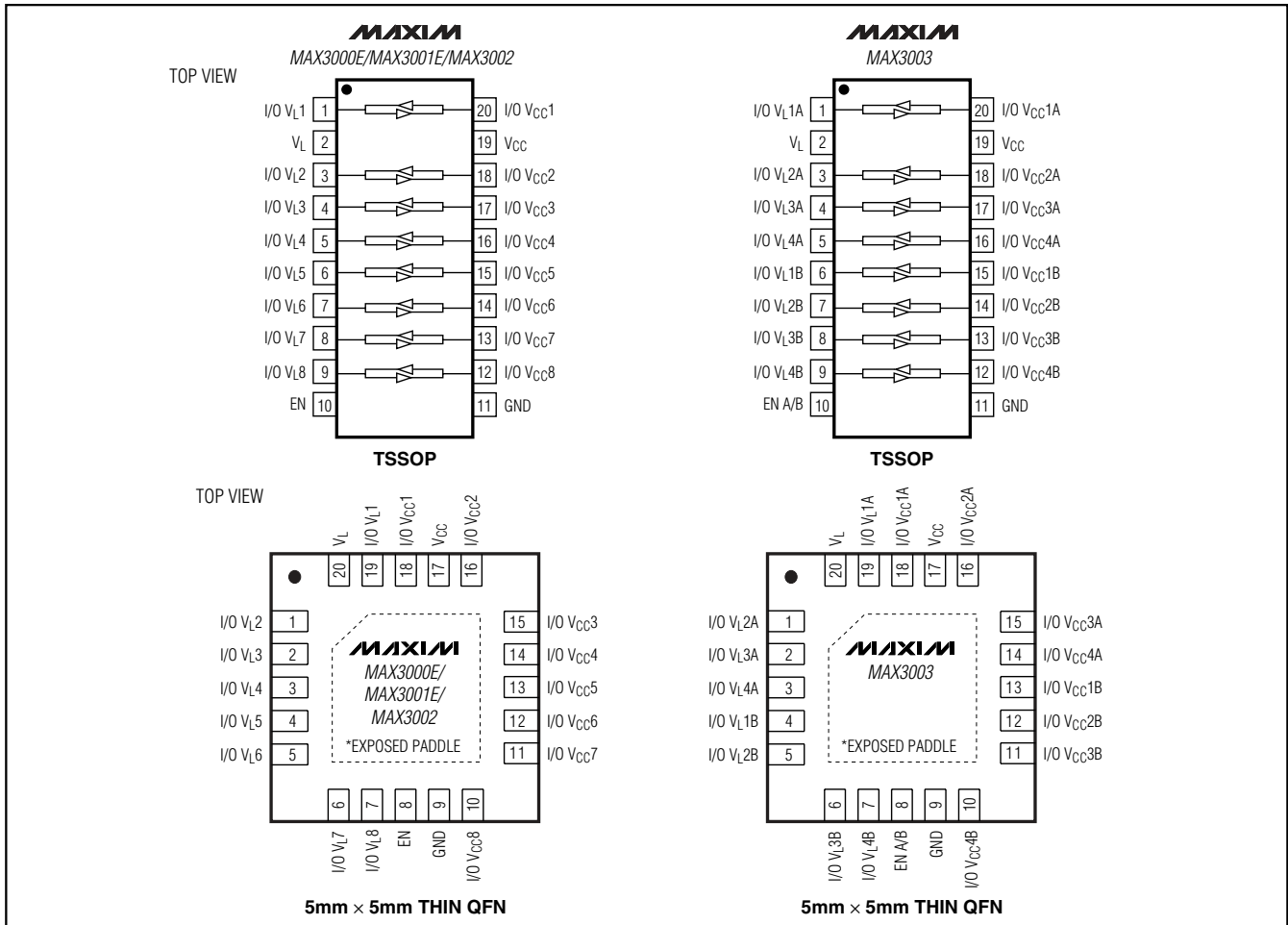
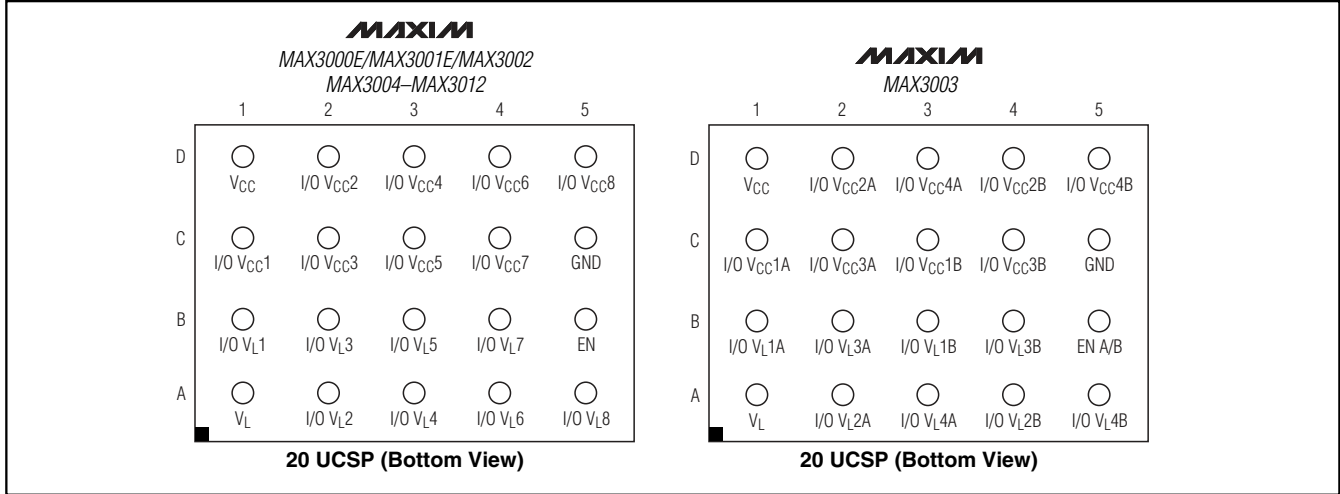
MAX3000E/MAX3001E/MAX3002-MAX3012



+1.2V to +5.5V, ±15kV ESD-Protected, 0.1µA, 35Mbps, 8-Channel Level Translators

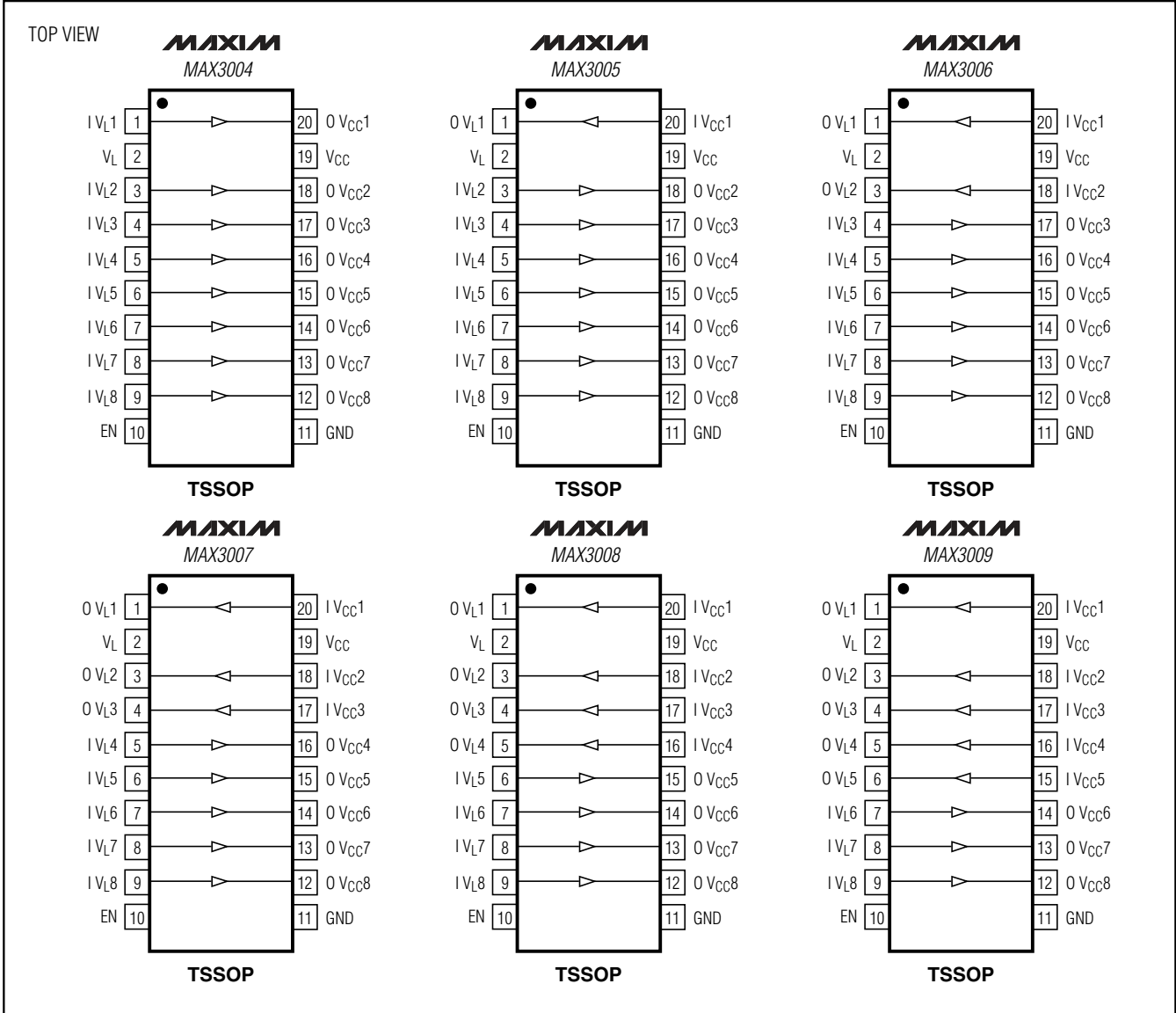
Pin Configurations

MAX3000E/MAX3001E/MAX3002-MAX3012



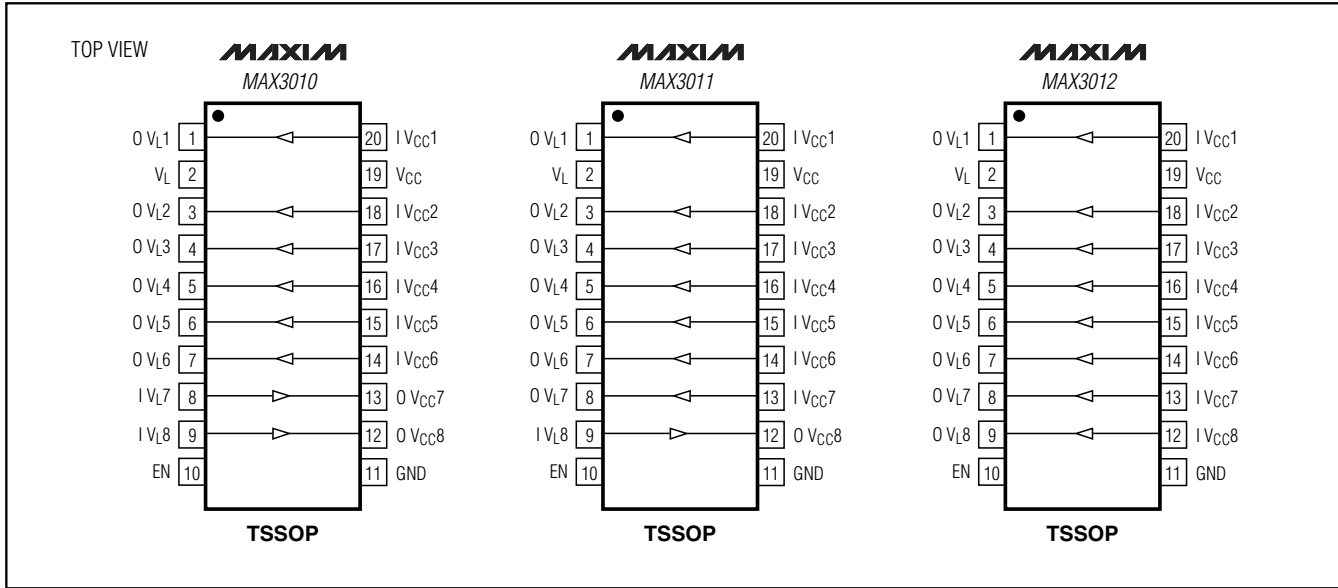
+1.2V to +5.5V, ±15kV ESD-Protected, 0.1µA, 35Mbps, 8-Channel Level Translators

Pin Configurations (continued)



+1.2V to +5.5V, ±15kV ESD-Protected, 0.1µA, 35Mbps, 8-Channel Level Translators

Pin Configurations (continued)



Ordering Information (continued)

PART	TEMP RANGE	PIN-PACKAGE	PKG CODE
MAX3001E EUP	-40°C to +85°C	20 TSSOP	U20-3
MAX3001E EBP-T*	-40°C to +85°C	4 x 5 UCSP	B20-1
MAX3001E ETP	-40°C to +85°C	20 TQFN	T2055-4
MAX3001E AUP	-40°C to +125°C	20 TSSOP	U20-3
MAX3002E EUP	-40°C to +85°C	20 TSSOP	U20-3
MAX3002E EBP-T*	-40°C to +85°C	4 x 5 UCSP	B20-1
MAX3002E ETP	-40°C to +85°C	20 TQFN	T2055-4
MAX3003E EUP	-40°C to +85°C	20 TSSOP	U20-3
MAX3003E EBP-T*	-40°C to +85°C	4 x 5 UCSP	B20-1
MAX3003E ETP	-40°C to +85°C	20 TQFN	T2055-4
MAX3004E EUP	-40°C to +85°C	20 TSSOP	U20-3
MAX3004E EBP-T*	-40°C to +85°C	4 x 5 UCSP	B20-1
MAX3005E EUP	-40°C to +85°C	20 TSSOP	U20-3
MAX3005E EBP-T*	-40°C to +85°C	4 x 5 UCSP	B20-1
MAX3006E EUP	-40°C to +85°C	20 TSSOP	U20-3
MAX3006E EBP-T*	-40°C to +85°C	4 x 5 UCSP	B20-1

PART	TEMP RANGE	PIN-PACKAGE	PKG CODE
MAX3007E EUP	-40°C to +85°C	20 TSSOP	U20-3
MAX3007E EBP-T*	-40°C to +85°C	4 x 5 UCSP	B20-1
MAX3008E EUP	-40°C to +85°C	20 TSSOP	U20-3
MAX3008E EBP-T*	-40°C to +85°C	4 x 5 UCSP	B20-1
MAX3009E EUP	-40°C to +85°C	20 TSSOP	U20-3
MAX3009E EBP-T*	-40°C to +85°C	4 x 5 UCSP	B20-1
MAX3010E EUP	-40°C to +85°C	20 TSSOP	U20-3
MAX3010E EBP-T*	-40°C to +85°C	4 x 5 UCSP	B20-1
MAX3011E EUP	-40°C to +85°C	20 TSSOP	U20-3
MAX3011E EBP-T*	-40°C to +85°C	4 x 5 UCSP	B20-1
MAX3012E EUP	-40°C to +85°C	20 TSSOP	U20-3
MAX3012E EBP-T*	-40°C to +85°C	4 x 5 UCSP	B20-1

*Future product—contact factory for availability.

-T = Tape-and-reel package.

Chip Information

TRANSISTOR COUNT: 1184

PROCESS: BiCMOS

+1.2V to +5.5V, ±15kV ESD-Protected, 0.1µA, 35Mbps, 8-Channel Level Translators

Package Information

(The package drawing(s) in this data sheet may not reflect the most current specifications. For the latest package outline information, go to www.maxim-ic.com/packages.)

TOP VIEW

COMMON DIMENSIONS	
A	0.62±0.05-0.08
A1	0.29±0.02
A2	0.33 REF.
b	∅0.35±0.03
D1	1.50 BASIC
E1	2.00 BASIC
e	0.50 BASIC
SD	0.25 BASIC
SE	0.00 BASIC

PKG. CODE	VARIABLE DIMENSIONS		DEPOPULATED SOLDER BALLS
	D	E	
B20-1	2.03±0.08	2.54±0.08	NONE
B20-2	2.03±0.08	2.54±0.08	B2, B3, B4
B20-4	2.03±0.08	2.54±0.08	B2, B3, B4, C2, C4
B20-5	2.03±0.08	2.54±0.08	B2, B3, B4, C2, C3, C4
B20-6	2.16±0.08	2.54±0.08	B2, B3, B4
B20-7	2.03±0.08	2.54±0.08	B3, C3
B20-8	2.03±0.08	2.54±0.08	B2, B4, C2, C4

NOTES:

- ALL DIMENSIONS ARE IN MILLIMETERS.
- PRODUCT MARKING: NUMBER OF CHARACTERS AND LINES VARY PER PRODUCT.

BOTTOM VIEW

SIDE VIEW

TITLE:
PACKAGE OUTLINE, 5x4 UCSP

APPROVAL	DOCUMENT CONTROL NO. 21-0095	REV. J 1/1
----------	---------------------------------	------------

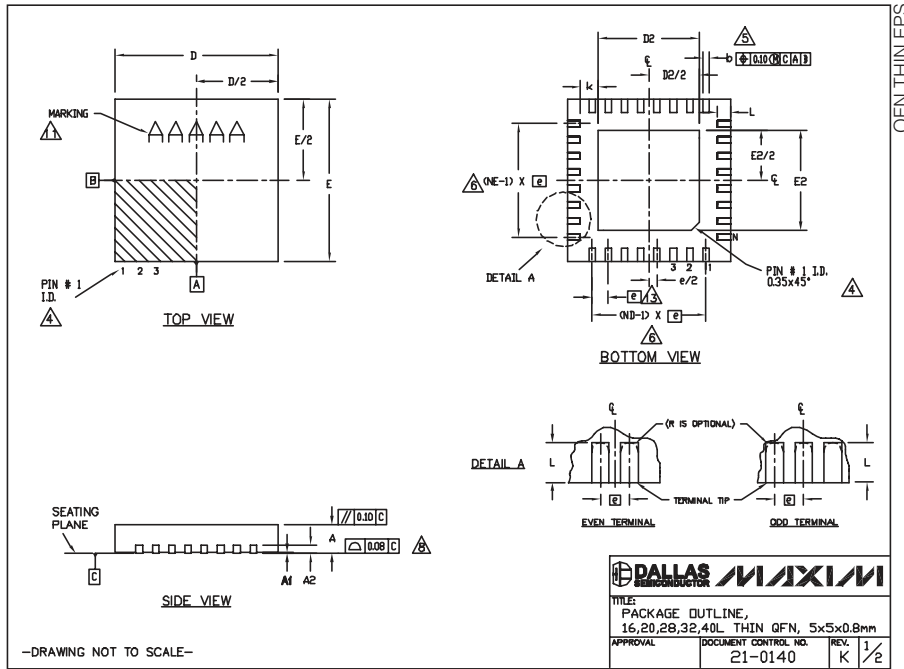
-DRAWING NOT TO SCALE-

5x4 UCSP.EPS

+1.2V to +5.5V, ±15kV ESD-Protected, 0.1µA, 35Mbps, 8-Channel Level Translators

Package Information (continued)

(The package drawing(s) in this data sheet may not reflect the most current specifications. For the latest package outline information, go to www.maxim-ic.com/packages.)



-DRAWING NOT TO SCALE-

PKG. SYMBOL	16L 5x5				20L 5x5				28L 5x5				32L 5x5				40L 5x5			
	MIN.	NOM.	MAX.	MIN.	NOM.	MAX.	MIN.	NOM.	MAX.	MIN.	NOM.	MAX.	MIN.	NOM.	MAX.	MIN.	NOM.	MAX.		
A	0.70	0.75	0.80	0.70	0.75	0.80	0.70	0.75	0.80	0.70	0.75	0.80	0.70	0.75	0.80	0.70	0.75	0.80		
A1	0	0.02	0.05	0	0.02	0.05	0	0.02	0.05	0	0.02	0.05	0	0.02	0.05	0	0.02	0.05		
A2	0.20 REF.			0.20 REF.			0.20 REF.			0.20 REF.			0.20 REF.			0.20 REF.				
b	0.25	0.30	0.35	0.25	0.30	0.35	0.20	0.25	0.30	0.20	0.25	0.30	0.15	0.20	0.25					
D	4.90	5.00	5.10	4.90	5.00	5.10	4.90	5.00	5.10	4.90	5.00	5.10	4.90	5.00	5.10	4.90	5.00	5.10		
E	4.90	5.00	5.10	4.90	5.00	5.10	4.90	5.00	5.10	4.90	5.00	5.10	4.90	5.00	5.10	4.90	5.00	5.10		
e	0.80 BSC.			0.65 BSC.			0.50 BSC.			0.50 BSC.			0.40 BSC.							
k	0.25	-	-	0.25	-	-	0.25	-	-	0.25	-	-	0.25	-	-					
L	0.30	0.40	0.50	0.45	0.55	0.65	0.45	0.55	0.65	0.30	0.40	0.50	0.30	0.40	0.50					
N	16			20			28			32			40							
ND	4			5			7			8			10							
NE	4			5			7			8			10							
JEDEC	VHFB			VHHC			VHHD-1			VHHD-2			-----							

NOTES:

- DIMENSIONING & TOLERANCING CONFORM TO ASME Y14.5M-1994.
- ALL DIMENSIONS ARE IN MILLIMETERS. ANGLES ARE IN DEGREES.
- N IS THE TOTAL NUMBER OF TERMINALS.
- THE TERMINAL #1 IDENTIFIER AND TERMINAL NUMBERING CONVENTION SHALL CONFORM TO JEDEC SPP-012. DETAILS OF TERMINAL #1 IDENTIFIER ARE OPTIONAL, BUT MUST BE LOCATED WITHIN THE ZONE INDICATED. THE TERMINAL #1 IDENTIFIER MAY BE EITHER A MOLD OR MARKED FEATURE.
- DIMENSION b APPLIES TO METALLIZED TERMINAL AND IS MEASURED BETWEEN 0.25 mm AND 0.30 mm FROM TERMINAL TIP.
- ND AND NE REFER TO THE NUMBER OF TERMINALS ON EACH D AND E SIDE RESPECTIVELY.
- DEPOPULATION IS POSSIBLE IN A SYMMETRICAL FASHION.
- COPLANARITY APPLIES TO THE EXPOSED HEAT SINK SLUG AS WELL AS THE TERMINALS.
- DRAWING CONFORMS TO JEDEC M0220, EXCEPT EXPOSED PAD DIMENSION FOR T2855-3, T2855-6, T4055-1 AND T4055-2.
- WARPAGE SHALL NOT EXCEED 0.10 mm.
- MARKING IS FOR PACKAGE ORIENTATION REFERENCE ONLY.
- NUMBER OF LEADS SHOWN ARE FOR REFERENCE ONLY.
- LEAD CENTERLINES TO BE AT TRUE POSITION AS DEFINED BY BASIC DIMENSION 'e', ±0.05.

-DRAWING NOT TO SCALE-

PKG. CODES	DE			EE		
	MIN.	NOM.	MAX.	MIN.	NOM.	MAX.
T1655-2	3.00	3.10	3.20	3.00	3.10	3.20
T1655-3	3.00	3.10	3.20	3.00	3.10	3.20
T1655N-1	3.00	3.10	3.20	3.00	3.10	3.20
T2055-3	3.00	3.10	3.20	3.00	3.10	3.20
T2055-4	3.00	3.10	3.20	3.00	3.10	3.20
T2055-5	3.15	3.25	3.35	3.15	3.25	3.35
T2055M-5	3.15	3.25	3.35	3.15	3.25	3.35
T2855-3	3.15	3.25	3.35	3.15	3.25	3.35
T2855-4	2.60	2.70	2.80	2.60	2.70	2.80
T2855-5	2.60	2.70	2.80	2.60	2.70	2.80
T2855-6	3.15	3.25	3.35	3.15	3.25	3.35
T2855-7	2.60	2.70	2.80	2.60	2.70	2.80
T2855-8	3.15	3.25	3.35	3.15	3.25	3.35
T2855N-1	3.15	3.25	3.35	3.15	3.25	3.35
T3255-3	3.00	3.10	3.20	3.00	3.10	3.20
T3255-4	3.00	3.10	3.20	3.00	3.10	3.20
T3255M-4	3.00	3.10	3.20	3.00	3.10	3.20
T3255-5	3.00	3.10	3.20	3.00	3.10	3.20
T3255N-1	3.00	3.10	3.20	3.00	3.10	3.20
T4055-1	3.40	3.50	3.60	3.40	3.50	3.60
T4055-2	3.40	3.50	3.60	3.40	3.50	3.60



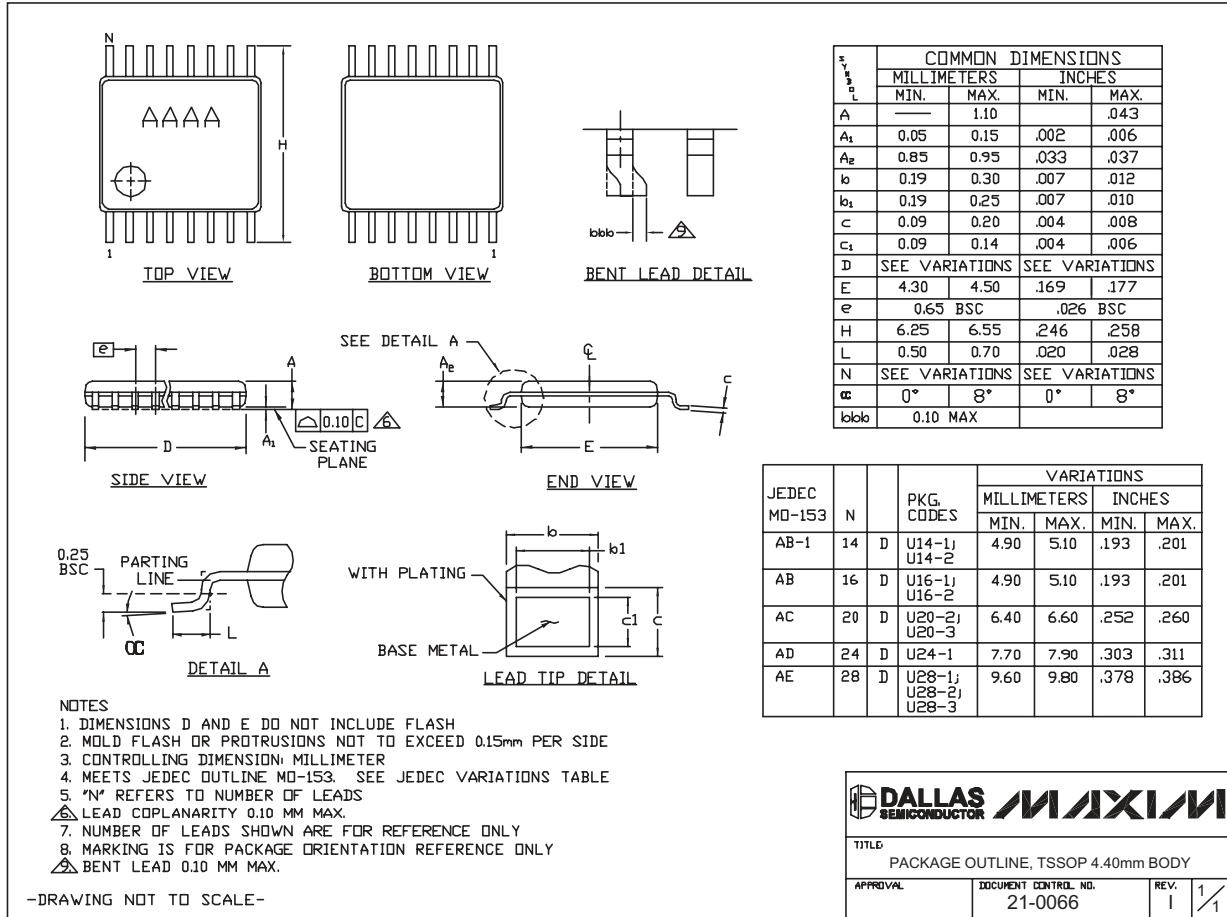
TITLE: PACKAGE OUTLINE, 16, 20, 28, 32, 40L THIN QFN, 5x5x0.8mm			
APPROVAL	DOCUMENT CONTROL NO.	REV.	1/2
	21-0140	K	

MAX33000E/MAX33001E/MAX33002-MAX33012

+1.2V to +5.5V, ±15kV ESD-Protected, 0.1µA, 35Mbps, 8-Channel Level Translators

Package Information (continued)

(The package drawing(s) in this data sheet may not reflect the most current specifications. For the latest package outline information, go to www.maxim-ic.com/packages.)



TSSOP4.40mm:EPS

Revision History

Pages changed at Rev 4: 1, 2, 3, 10, 11, 15, 16, 21, 23-26

Maxim cannot assume responsibility for use of any circuitry other than circuitry entirely embodied in a Maxim product. No circuit patent licenses are implied. Maxim reserves the right to change the circuitry and specifications without notice at any time.

26 Maxim Integrated Products, 120 San Gabriel Drive, Sunnyvale, CA 94086 408-737-7600



MAX3004

Part Number Table

Notes:

1. See the [MAX3004 QuickView Data Sheet](#) for further information on this product family or download the [MAX3004 full data sheet](#) (PDF, 544kB).
2. Other options and links for purchasing parts are listed at: <http://www.maxim-ic.com/sales>.
3. [Didn't Find What You Need?](#) Ask our applications engineers. Expert assistance in finding parts, usually within one business day.
4. Part number suffixes: T or T&R = tape and reel; + = RoHS/lead-free; # = RoHS/lead-exempt. More: See [full data sheet](#) or [Part Naming Conventions](#).
5. * Some packages have variations, listed on the drawing. "PkgCode/Variation" tells which variation the product uses.

Part Number	Free Sample	Buy Direct	Package: TYPE PINS SIZE DRAWING CODE/VAR *	Temp	RoHS/Lead-Free? Materials Analysis
MAX3004EUP	<input type="button" value="Sample"/>	<input type="button" value="Buy"/>	TSSOP;20 pin;4.4mm Dwg: 21-0066I (PDF) Use pkgcode/variation: U20-3*	-40°C to +85°C	RoHS/Lead-Free: No Materials Analysis
MAX3004EUP-T		<input type="button" value="Buy"/>		-40°C to +85°C	RoHS/Lead-Free: No
MAX3004EBP		<input type="button" value="Buy"/>	UCSP;20 pin; Dwg: 21-0095J (PDF) Use pkgcode/variation: B20-1*	0°C to +70°C	RoHS/Lead-Free: No Materials Analysis
MAX3004EBP-T		<input type="button" value="Buy"/>		0°C to +70°C	RoHS/Lead-Free: No

[Didn't Find What You Need?](#)

[CONTACT US: SEND US AN EMAIL](#)



MAX3005

Part Number Table

Notes:

1. See the [MAX3005 QuickView Data Sheet](#) for further information on this product family or download the [MAX3005 full data sheet](#) (PDF, 544kB).
2. Other options and links for purchasing parts are listed at: <http://www.maxim-ic.com/sales>.
3. [Didn't Find What You Need?](#) Ask our applications engineers. Expert assistance in finding parts, usually within one business day.
4. Part number suffixes: T or T&R = tape and reel; + = RoHS/lead-free; # = RoHS/lead-exempt. More: See [full data sheet](#) or [Part Naming Conventions](#).
5. * Some packages have variations, listed on the drawing. "PkgCode/Variation" tells which variation the product uses.

Part Number	Free Sample	Buy Direct	Package: TYPE PINS SIZE DRAWING CODE/VAR *	Temp	RoHS/Lead-Free? Materials Analysis
MAX3005EUP	<input type="button" value="Sample"/>	<input type="button" value="Buy"/>	TSSOP;20 pin;4.4mm Dwg: 21-0066I (PDF) Use pkgcode/variation: U20-3*	-40°C to +85°C	RoHS/Lead-Free: No Materials Analysis
MAX3005EUP-T		<input type="button" value="Buy"/>		-40°C to +85°C	RoHS/Lead-Free: No
MAX3005EBP	<input type="button" value="Sample"/>	<input type="button" value="Buy"/>	UCSP;20 pin; Dwg: 21-0095J (PDF) Use pkgcode/variation: B20-1*	0°C to +70°C	RoHS/Lead-Free: No Materials Analysis
MAX3005EBP-T		<input type="button" value="Buy"/>		0°C to +70°C	RoHS/Lead-Free: No

[Didn't Find What You Need?](#)

[CONTACT US: SEND US AN EMAIL](#)



SITE SEARCH

PART NO. SEARCH

MAX3006

Part Number Table

Notes:

1. See the [MAX3006 QuickView Data Sheet](#) for further information on this product family or download the [MAX3006 full data sheet](#) (PDF, 544kB).
2. Other options and links for purchasing parts are listed at: <http://www.maxim-ic.com/sales>.
3. [Didn't Find What You Need?](#) Ask our applications engineers. Expert assistance in finding parts, usually within one business day.
4. Part number suffixes: T or T&R = tape and reel; + = RoHS/lead-free; # = RoHS/lead-exempt. More: See [full data sheet](#) or [Part Naming Conventions](#).
5. * Some packages have variations, listed on the drawing. "PkgCode/Variation" tells which variation the product uses.

Part Number	Free Sample	Buy Direct	Package: TYPE PINS SIZE DRAWING CODE/VAR *	Temp	RoHS/Lead-Free? Materials Analysis
MAX3006EUP	<input type="button" value="Sample"/>	<input type="button" value="Buy"/>	TSSOP;20 pin;4.4mm Dwg: 21-0066I (PDF) Use pkgcode/variation: U20-3*	-40°C to +85°C	RoHS/Lead-Free: No Materials Analysis
MAX3006EUP-T		<input type="button" value="Buy"/>		-40°C to +85°C	RoHS/Lead-Free: No
MAX3006EBP	<input type="button" value="Sample"/>	<input type="button" value="Buy"/>	UCSP;20 pin; Dwg: 21-0095J (PDF) Use pkgcode/variation: B20-1*	0°C to +70°C	RoHS/Lead-Free: No Materials Analysis
MAX3006EBP-T		<input type="button" value="Buy"/>		0°C to +70°C	RoHS/Lead-Free: No

[Didn't Find What You Need?](#)

[CONTACT US: SEND US AN EMAIL](#)



MAX3008

Part Number Table

Notes:

1. See the [MAX3008 QuickView Data Sheet](#) for further information on this product family or download the [MAX3008 full data sheet](#) (PDF, 544kB).
2. Other options and links for purchasing parts are listed at: <http://www.maxim-ic.com/sales>.
3. [Didn't Find What You Need?](#) Ask our applications engineers. Expert assistance in finding parts, usually within one business day.
4. Part number suffixes: T or T&R = tape and reel; + = RoHS/lead-free; # = RoHS/lead-exempt. More: See [full data sheet](#) or [Part Naming Conventions](#).
5. * Some packages have variations, listed on the drawing. "PkgCode/Variation" tells which variation the product uses.

Part Number	Free Sample	Buy Direct	Package: TYPE PINS SIZE DRAWING CODE/VAR *	Temp	RoHS/Lead-Free? Materials Analysis
MAX3008EUP+T		<input type="button" value="Buy"/>		-40°C to +85°C	RoHS/Lead-Free: Yes
MAX3008EUP+	<input type="button" value="Sample"/>	<input type="button" value="Buy"/>	TSSOP;20 pin;4.4mm Dwg: 21-0066I (PDF) Use pkgcode/variation: U20+3*	-40°C to +85°C	RoHS/Lead-Free: Yes Materials Analysis
MAX3008EUP	<input type="button" value="Sample"/>	<input type="button" value="Buy"/>	TSSOP;20 pin;4.4mm Dwg: 21-0066I (PDF) Use pkgcode/variation: U20-3*	-40°C to +85°C	RoHS/Lead-Free: No Materials Analysis
MAX3008EUP-T		<input type="button" value="Buy"/>		-40°C to +85°C	RoHS/Lead-Free: No
MAX3008EBP	<input type="button" value="Sample"/>	<input type="button" value="Buy"/>	UCSP;20 pin; Dwg: 21-0095J (PDF) Use pkgcode/variation: B20-1*	0°C to +70°C	RoHS/Lead-Free: No Materials Analysis
MAX3008EBP-T		<input type="button" value="Buy"/>		0°C to +70°C	RoHS/Lead-Free: No

[Didn't Find What You Need?](#)

[CONTACT US: SEND US AN EMAIL](#)

Copyright © 2007 by Maxim Integrated Products, Dallas Semiconductor • [Legal Notices](#) • [Privacy Policy](#)



MAX3009

Part Number Table

Notes:

1. See the [MAX3009 QuickView Data Sheet](#) for further information on this product family or download the [MAX3009 full data sheet](#) (PDF, 544kB).
2. Other options and links for purchasing parts are listed at: <http://www.maxim-ic.com/sales>.
3. [Didn't Find What You Need?](#) Ask our applications engineers. Expert assistance in finding parts, usually within one business day.
4. Part number suffixes: T or T&R = tape and reel; + = RoHS/lead-free; # = RoHS/lead-exempt. More: See [full data sheet](#) or [Part Naming Conventions](#).
5. * Some packages have variations, listed on the drawing. "PkgCode/Variation" tells which variation the product uses.

Part Number	Free Sample	Buy Direct	Package: TYPE PINS SIZE DRAWING CODE/VAR *	Temp	RoHS/Lead-Free? Materials Analysis
MAX3009EUP	<input type="button" value="Sample"/>	<input type="button" value="Buy"/>	TSSOP;20 pin;4.4mm Dwg: 21-0066I (PDF) Use pkgcode/variation: U20-3*	-40°C to +85°C	RoHS/Lead-Free: No Materials Analysis
MAX3009EUP-T		<input type="button" value="Buy"/>		-40°C to +85°C	RoHS/Lead-Free: No
MAX3009EBP	<input type="button" value="Sample"/>	<input type="button" value="Buy"/>	UCSP;20 pin; Dwg: 21-0095J (PDF) Use pkgcode/variation: B20-1*	0°C to +70°C	RoHS/Lead-Free: No Materials Analysis
MAX3009EBP-T		<input type="button" value="Buy"/>		0°C to +70°C	RoHS/Lead-Free: No

[Didn't Find What You Need?](#)

[CONTACT US: SEND US AN EMAIL](#)



MAX3010

Part Number Table

Notes:

1. See the [MAX3010 QuickView Data Sheet](#) for further information on this product family or download the [MAX3010 full data sheet](#) (PDF, 544kB).
2. Other options and links for purchasing parts are listed at: <http://www.maxim-ic.com/sales>.
3. [Didn't Find What You Need?](#) Ask our applications engineers. Expert assistance in finding parts, usually within one business day.
4. Part number suffixes: T or T&R = tape and reel; + = RoHS/lead-free; # = RoHS/lead-exempt. More: See [full data sheet](#) or [Part Naming Conventions](#).
5. * Some packages have variations, listed on the drawing. "PkgCode/Variation" tells which variation the product uses.

Part Number	Free Sample	Buy Direct	Package: TYPE PINS SIZE DRAWING CODE/VAR *	Temp	RoHS/Lead-Free? Materials Analysis
MAX3010EUP	<input type="button" value="Sample"/>	<input type="button" value="Buy"/>	TSSOP;20 pin;4.4mm Dwg: 21-0066I (PDF) Use pkgcode/variation: U20-3*	-40°C to +85°C	RoHS/Lead-Free: No Materials Analysis
MAX3010EUP-T		<input type="button" value="Buy"/>		-40°C to +85°C	RoHS/Lead-Free: No
MAX3010EBP		<input type="button" value="Buy"/>	UCSP;20 pin; Dwg: 21-0095J (PDF) Use pkgcode/variation: B20-1*	0°C to +70°C	RoHS/Lead-Free: No Materials Analysis
MAX3010EBP-T		<input type="button" value="Buy"/>		0°C to +70°C	RoHS/Lead-Free: No

[Didn't Find What You Need?](#)

[CONTACT US: SEND US AN EMAIL](#)

SITE
SEARCHPART NO.
SEARCH

WHAT'S NEW PRODUCTS SOLUTIONS DESIGN APPNOTES SUPPORT BUY COMPANY MEMBERS

MAX3011

Part Number Table

Notes:

1. See the [MAX3011 QuickView Data Sheet](#) for further information on this product family or download the [MAX3011 full data sheet](#) (PDF, 544kB).
2. Other options and links for purchasing parts are listed at: <http://www.maxim-ic.com/sales>.
3. [Didn't Find What You Need?](#) Ask our applications engineers. Expert assistance in finding parts, usually within one business day.
4. Part number suffixes: T or T&R = tape and reel; + = RoHS/lead-free; # = RoHS/lead-exempt. More: See [full data sheet](#) or [Part Naming Conventions](#).
5. * Some packages have variations, listed on the drawing. "PkgCode/Variation" tells which variation the product uses.

Part Number	Free Sample	Buy Direct	Package: TYPE PINS SIZE DRAWING CODE/VAR *	Temp	RoHS/Lead-Free? Materials Analysis
MAX3011EUP	<input type="button" value="Sample"/>	<input type="button" value="Buy"/>	TSSOP;20 pin;4.4mm Dwg: 21-0066I (PDF) Use pkgcode/variation: U20-3*	-40°C to +85°C	RoHS/Lead-Free: No Materials Analysis
MAX3011EUP-T		<input type="button" value="Buy"/>		-40°C to +85°C	RoHS/Lead-Free: No
MAX3011EBP		<input type="button" value="Buy"/>	UCSP;20 pin; Dwg: 21-0095J (PDF) Use pkgcode/variation: B20-1*	0°C to +70°C	RoHS/Lead-Free: No Materials Analysis
MAX3011EBP-T		<input type="button" value="Buy"/>		0°C to +70°C	RoHS/Lead-Free: No

[Didn't Find What You Need?](#)[CONTACT US: SEND US AN EMAIL](#)



WHAT'S NEW PRODUCTS SOLUTIONS DESIGN APPNOTES SUPPORT BUY COMPANY MEMBERS

MAX3012

Part Number Table

Notes:

1. See the [MAX3012 QuickView Data Sheet](#) for further information on this product family or download the [MAX3012 full data sheet](#) (PDF, 544kB).
2. Other options and links for purchasing parts are listed at: <http://www.maxim-ic.com/sales>.
3. [Didn't Find What You Need?](#) Ask our applications engineers. Expert assistance in finding parts, usually within one business day.
4. Part number suffixes: T or T&R = tape and reel; + = RoHS/lead-free; # = RoHS/lead-exempt. More: See [full data sheet](#) or [Part Naming Conventions](#).
5. * Some packages have variations, listed on the drawing. "PkgCode/Variation" tells which variation the product uses.

Part Number	Free Sample	Buy Direct	Package: TYPE PINS SIZE DRAWING CODE/VAR *	Temp	RoHS/Lead-Free? Materials Analysis
MAX3012EUP+	<input type="button" value="Sample"/>	<input type="button" value="Buy"/>	TSSOP;20 pin;4.4mm Dwg: 21-0066I (PDF) Use pkgcode/variation: U20+3*	-40°C to +85°C	RoHS/Lead-Free: Yes Materials Analysis
MAX3012EUP+T		<input type="button" value="Buy"/>	TSSOP;20 pin;4.4mm Dwg: 21-0066I (PDF) Use pkgcode/variation: U20+3*	-40°C to +85°C	RoHS/Lead-Free: Yes Materials Analysis
MAX3012EUP	<input type="button" value="Sample"/>	<input type="button" value="Buy"/>	TSSOP;20 pin;4.4mm Dwg: 21-0066I (PDF) Use pkgcode/variation: U20-3*	-40°C to +85°C	RoHS/Lead-Free: No Materials Analysis
MAX3012EUP-T		<input type="button" value="Buy"/>		-40°C to +85°C	RoHS/Lead-Free: No
MAX3012EBP	<input type="button" value="Sample"/>	<input type="button" value="Buy"/>	UCSP;20 pin; Dwg: 21-0095J (PDF) Use pkgcode/variation: B20-1*	0°C to +70°C	RoHS/Lead-Free: No Materials Analysis
MAX3012EBP-T		<input type="button" value="Buy"/>		0°C to +70°C	RoHS/Lead-Free: No

[Didn't Find What You Need?](#)

[CONTACT US: SEND US AN EMAIL](#)

Copyright © 2007 by Maxim Integrated Products, Dallas Semiconductor • [Legal Notices](#) • [Privacy Policy](#)