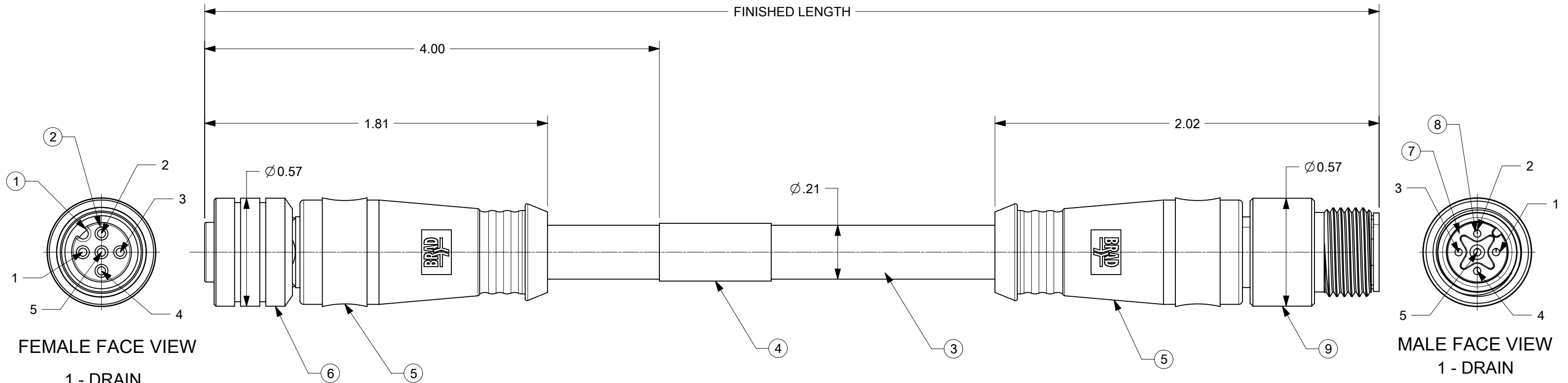


SAP NUMBER	ENGINEERING NUMBER	FINISHED LENGTH
1300280418	885030D12M0043A	0.4M (1.32FT)



FEMALE FACE VIEW

- 1 - DRAIN
- 2 - RED
- 3 - BLACK
- 4 - WHITE
- 5 - BLUE

MALE FACE VIEW

- 1 - DRAIN
- 2 - RED
- 3 - BLACK
- 4 - WHITE
- 5 - BLUE

PART NUMBER MATRIX

885030D12M0043A

LENGTH
M001 = .1 METERS
M030 = 3.0 METERS
M100 = 10.0 METERS

NOTES:

- 1) MATERIAL: SEE TABLE
- 2) FINISHES: SEE TABLE
- 3) ELECTRICAL DATA:
VOLTAGE: 250VAC
CURRENT: 1.6 AMPS
- 4) TEMP RATING: -20°C TO 70°C
- 5) IP67 WHEN FULLY MATED
- 6) COUPLING THREAD: M12X1
- 7) ALL DIMS ARE FOR REFERENCE UNLESS TOLERANCED OR OTHERWISE NOTED

CABLE LENGTH TOLERANCES

- >.3M [1FT]: +19mm-0 [+ .75in-0]
- .3 - .9M [1 - 3FT]: +44.5mm-0 [+1.75in-0]
- .9 - 1.8M [3 - 6FT]: +55.6mm-0 [+2.19in-0]
- 1.8 - 3.7M [6 - 12FT]: +88.9mm-0 [+3.50in-0]
- 3.7 - 7.3M [12 - 24FT]: +165.1mm-0 [+6.50in-0]
- 7.3-14.6M [24 - 48FT]: +317.5mm-0 [+12.50in-0]
- 14.6 - 30.5M [48-100FT]: +622.3mm-0 [+24.50in-0]
- OVER 30M [100FT] +2% OF FINISHED LENGTH

9	COUPLING NUT - MALE	BRASS	NICKEL PLATED
8	PIN CONTACT	COPPER ALLOY	GOLD PLATED
7	MALE INSERT	NYLON	BLACK
6	COUPLING NUT - FEMALE	BRASS	NICKEL PLATED
5	OVERMOLD	TPC	GRAY
4	WRAP LABEL	PLASTIC FILM	BLACK/YELLOW
3	CABLE 26 AWG	PVC	GRAY
2	SOCKET CONTACT	COPPER ALLOY	GOLD PLATED
1	FEMALE INSERT	TPU	BLACK
ITEM	DESCRIPTION	MATERIAL	FINISH

FUNCTIONAL SYMBOLS		THIS DRAWING CONTAINS INFORMATION THAT IS PROPRIETARY TO MOLEX ELECTRONIC TECHNOLOGIES, LLC AND SHOULD NOT BE USED WITHOUT WRITTEN PERMISSION		CURRENT REV DESC: INITIAL RELEASE		molex	
INCH	2:1	GENERAL TOLERANCES (UNLESS SPECIFIED)		EC NO: 638711			
4 PLACES	±	ANGULAR TOL ± °		DRWN: CCHRSTKA 2020/05/29		MIC 5P M/MFE ST/ST	
3 PLACES	±	DIVISIONAL SYMBOLS		CHK'D: ALEON01 2020/06/03		PRODUCT CUSTOMER DRAWING	
2 PLACES	±	1 PLACE ±		APPR: BWOODMAN 2020/06/04		DOCUMENT NUMBER	
1 PLACE ±	±	0 PLACES ±		INITIAL REVISION:		1300280418	
0 PLACES ±	±	DRAFT WHERE APPLICABLE MUST REMAIN WITHIN DIMENSIONS		DRWN: CCHRSTKA 2020/05/29		DOC TYPE DOC PART REVISION	
THIRD ANGLE PROJECTION		DRAWING		SERIES		PSD 000 A	
B-SIZE		130028		MATERIAL NUMBER		CUSTOMER	
SEE TABLE		GENERAL MARKET		SHEET NUMBER		1 OF 1	