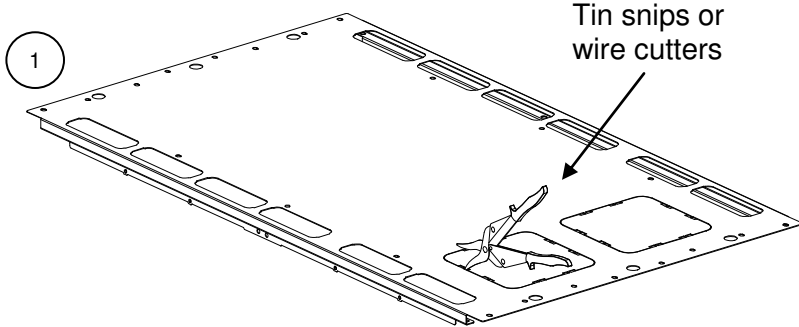
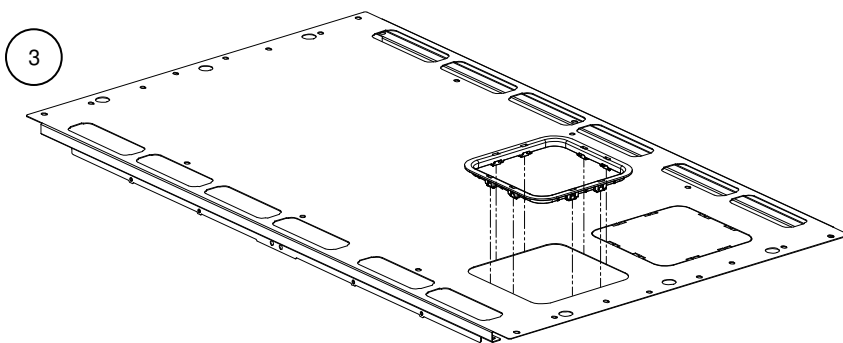
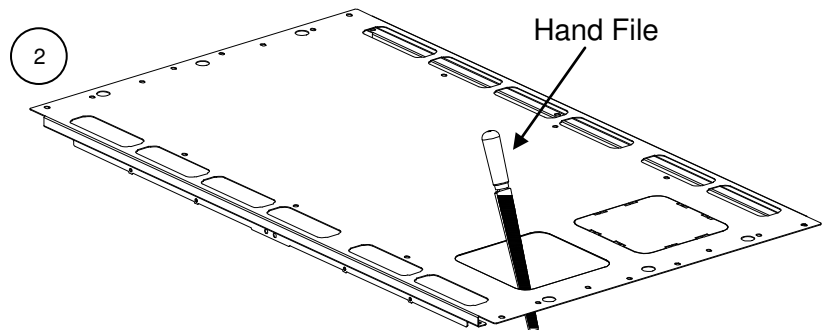


#### Steps Required for Installation of the 6.5" X 6.5" Cabinet Top Cable Protection Bezel

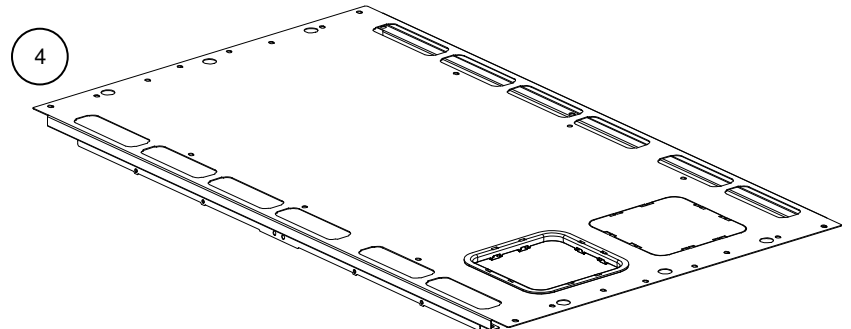


Step 1: Using tin snips or wire cutters, cut the (8) tabs and remove cut-out from top of cabinet.

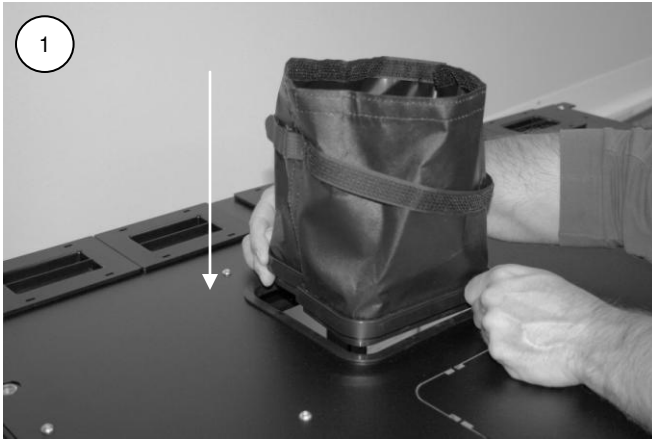
Step 2: File down any burrs left behind from cutting tabs of cut-out.



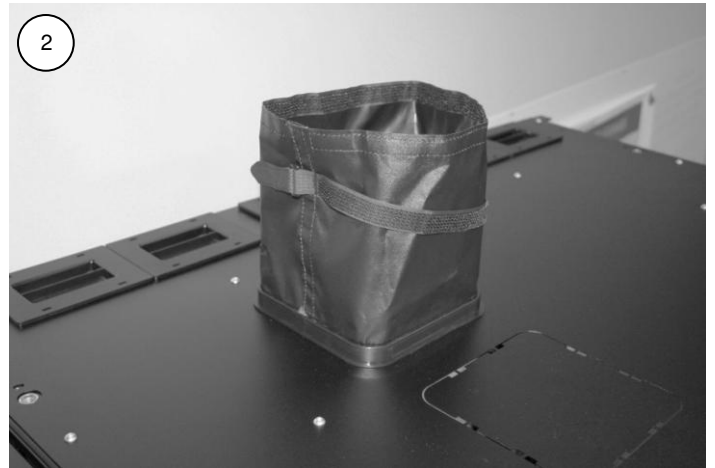
Step 4: Apply moderate forces in the upward direction to ensure the part is secured into the cabinet top cap. Repeat steps 1 thru 4 as needed.



## Additional Steps Required for Installation of the 6.5" X 6.5" Cool Boot Air Sealing Fitting



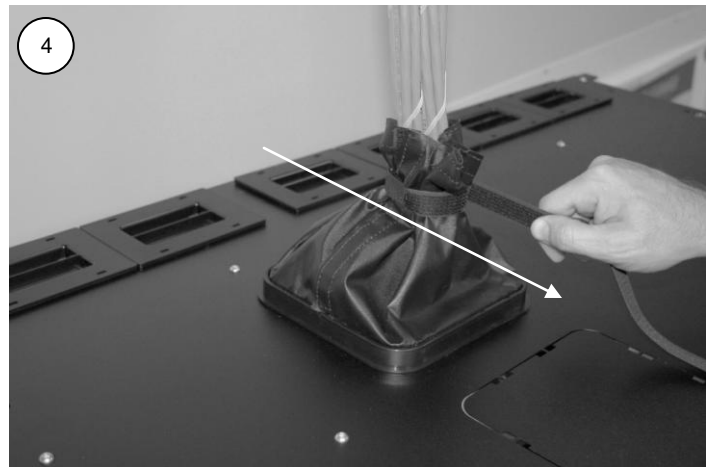
Step 1: Install Cool Boot by pressing down on top of the outer edges of the fitting assembly.



Step 2: With the fabric of the cool boot opened up, route the cable bundle through the opening.



Step 3: Seal the hook and loop strip along the top edge of the fabric sleeve



Step 4: Pull the cinch tie tight around the cable bundle as shown. Wrap the cinch tie around the cable bundle and attach it to itself. If applicable, trim off excess cinch tie material.