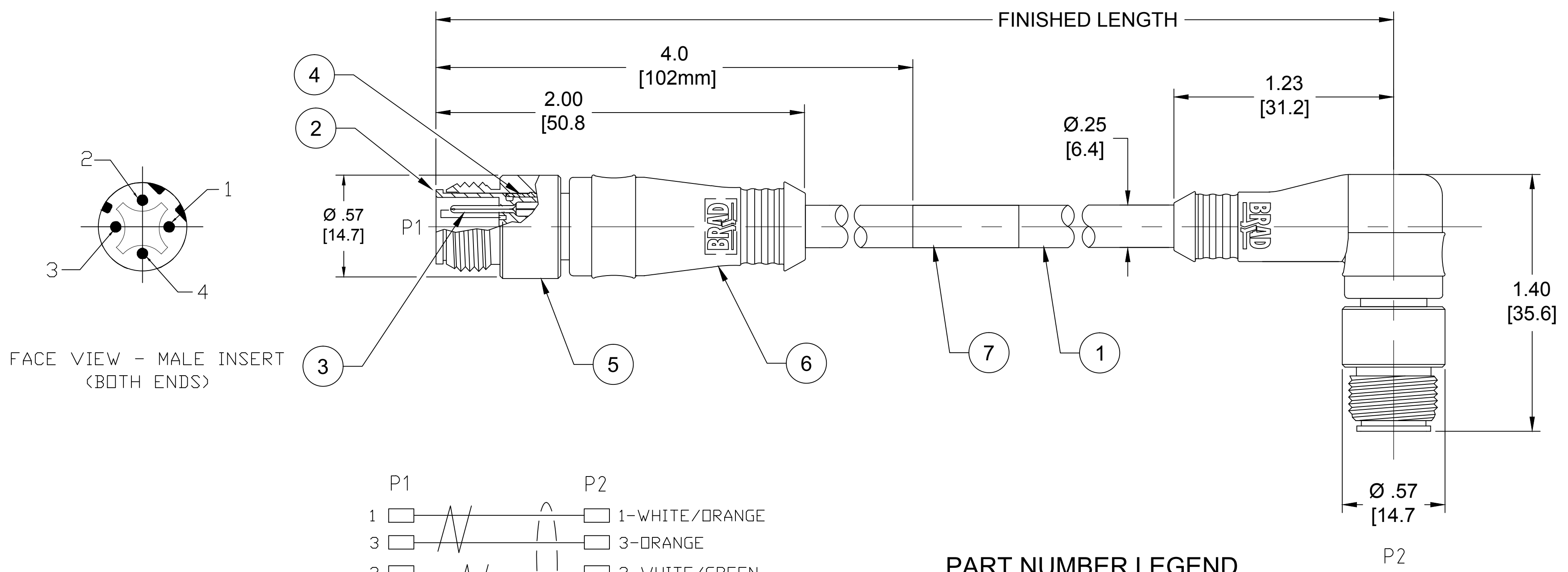


PART NO.	ENGINEERING NO.	FINISHED LENGTH
1201080189	E11A06205M010	1.0M [3'3"]
1201088092	E11A06205M020	2.0M [6'7"]
1201088093	E11A06205M050	5.0M [16'5"]
1201088094	E11A06205M100	10.0M [32'10"]
1201088095	E11A06205M150	15.0M [49'2"]
1201088096	E11A06205M200	20.0M [65'7"]

Ⓒ CABLE LENGTH TOLERANCES

>.3M [1FT]:	+19mm-0 [+1.75in-0]
.3 - .9M [1 - 3FT]:	+44.5mm-0 [+1.75in-0]
.9 - 1.8M [3 - 6FT]:	+55.6mm-0 [+2.19in-0]
1.8 - 3.7M [6 - 12FT]:	+88.9mm-0 [+3.50in-0]
3.7 - 7.3M [12 - 24FT]:	+165.1mm-0 [+6.50in-0]
7.3-14.6M [24 - 48FT]:	+317.5mm-0 [+12.50in-0]
14.6 - 30.5M [48-100FT]:	+622.3mm-0 [+24.50in-0]
OVER 30M [100FT]	+2% OF FINISHED LENGTH



- Ⓒ NOTES:
1. MATERIAL: AS NOTED
  2. FINISH: AS NOTED
  3. ELECTRICAL:  
VOLTAGE: 30V  
CURRENT: 1.5A
  4. TEMP RATING: -20° TO +75°C
  5. PROTECTION: IP67 (WHEN MATED)
  6. COUPLING THREAD: M12 X 1
  7. UL CERTIFIED FILE: E200650
  8. ALL DIMS ARE FOR REFERENCE UNLESS NOTED OTHERWISE

Ⓒ WIRING DIAGRAM

PART NUMBER LEGEND

E11A06205M010

FINISHED LENGTH:  
M006= 0.6 METER  
M010= 1 METER  
M100= 10 METER

ITEM	DESCRIPTION	MATERIAL	FINISH
7	WRAP LABEL	VINYL	BLACK/YELLOW
6	OVERMOLD	PBT	GRAY
5	COUPLING NUT	BRASS	NICKEL PLATED
4	SHIELD HOUSING	BRASS	NICKEL PLATED
3	CONTACT PIN	COPPER ALLOY	GOLD PLATED
2	MALE INSERT, D-CODE	PUR	BLACK
1	CABLE, 2 PAIR, 26AWG, SHLD	TPE JACKET	TEAL

REV'D PER LATEST STS. EC NO.: IFC2019-0154 DRWN: RSTONE 10/8/18 CHKD: M ZIELIN 2018/10/15 APPR: BWOODMAN 2013/10/16	QUALITY SYMBOL	GENERAL TOLERANCES (UNLESS SPECIFIED)	DIMENSION STYLE	SCALE	DESIGN UNITS	THIRD ANGLE PROJECTION
	▽=0 Ⓒ=0	mm INCH 4 PLACES ±--- ±--- 3 PLACES ±--- ±--- 2 PLACES ±--- ±--- 1 PLACE ±--- ±---	IN/MM	NTS	INCH	
		ANGULAR ±---°	DRAWN BY DATE	TITLE		
		DRAFT WHERE APPLICABLE MUST REMAIN WITHIN DIMENSIONS	GGUSTAFS 2013/09/12	M12 D-CODED CABLE ASSY 4P MALE/MALE ST/90 #26/4 TEAL TPE		
		CHECKED BY DATE	MOLEX INCORPORATED			
		BARDEN 2013/09/24	SD-120108-065			
		APPROVED BY DATE	SHEET NO.			
		BWOODMAN 2013/10/16	1 OF 1			
		MATERIAL NO.	THIS DRAWING CONTAINS INFORMATION THAT IS PROPRIETARY TO MOLEX INCORPORATED AND SHOULD NOT BE USED WITHOUT WRITTEN PERMISSION			
		SEE P/N TABLE				