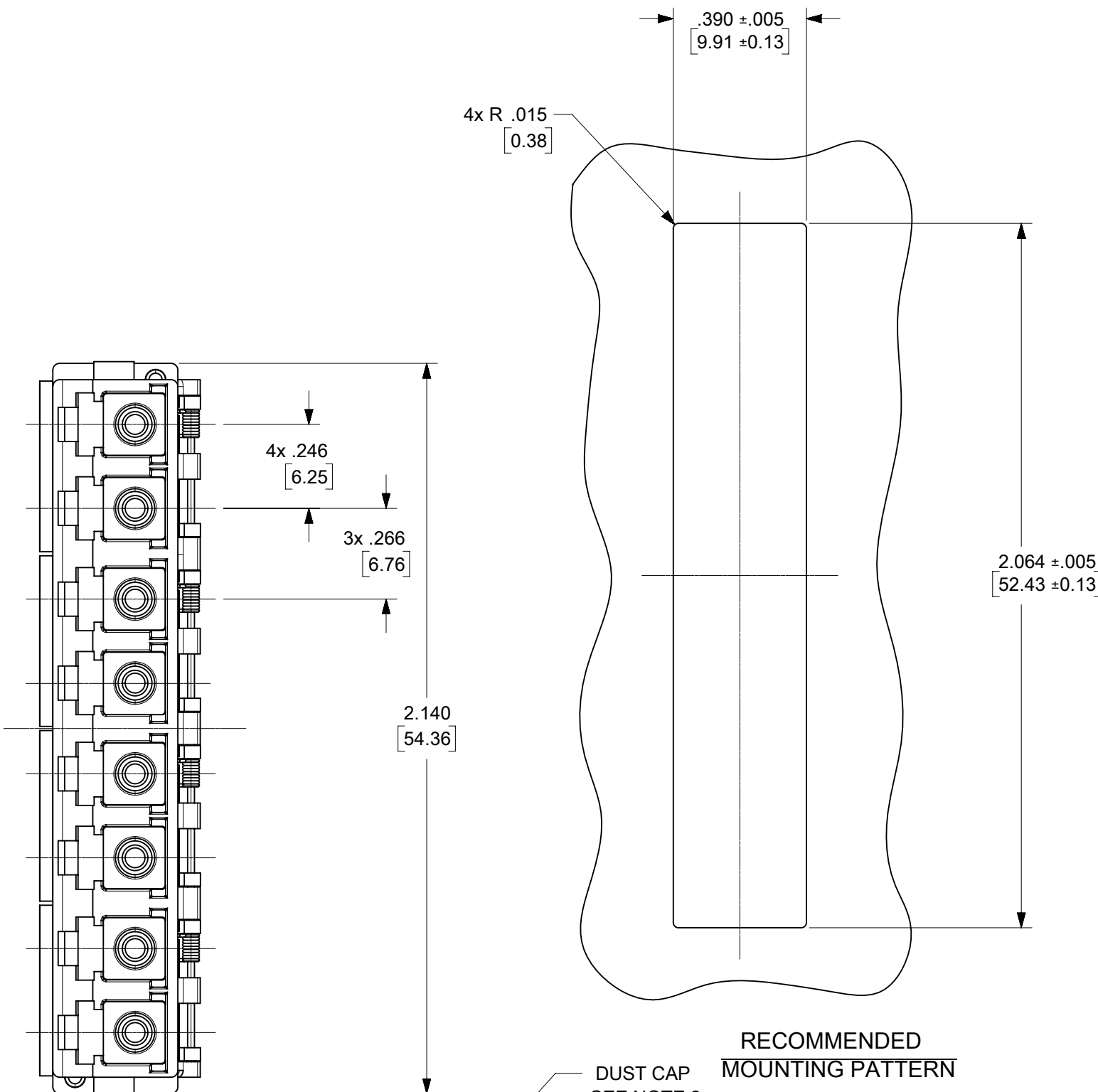
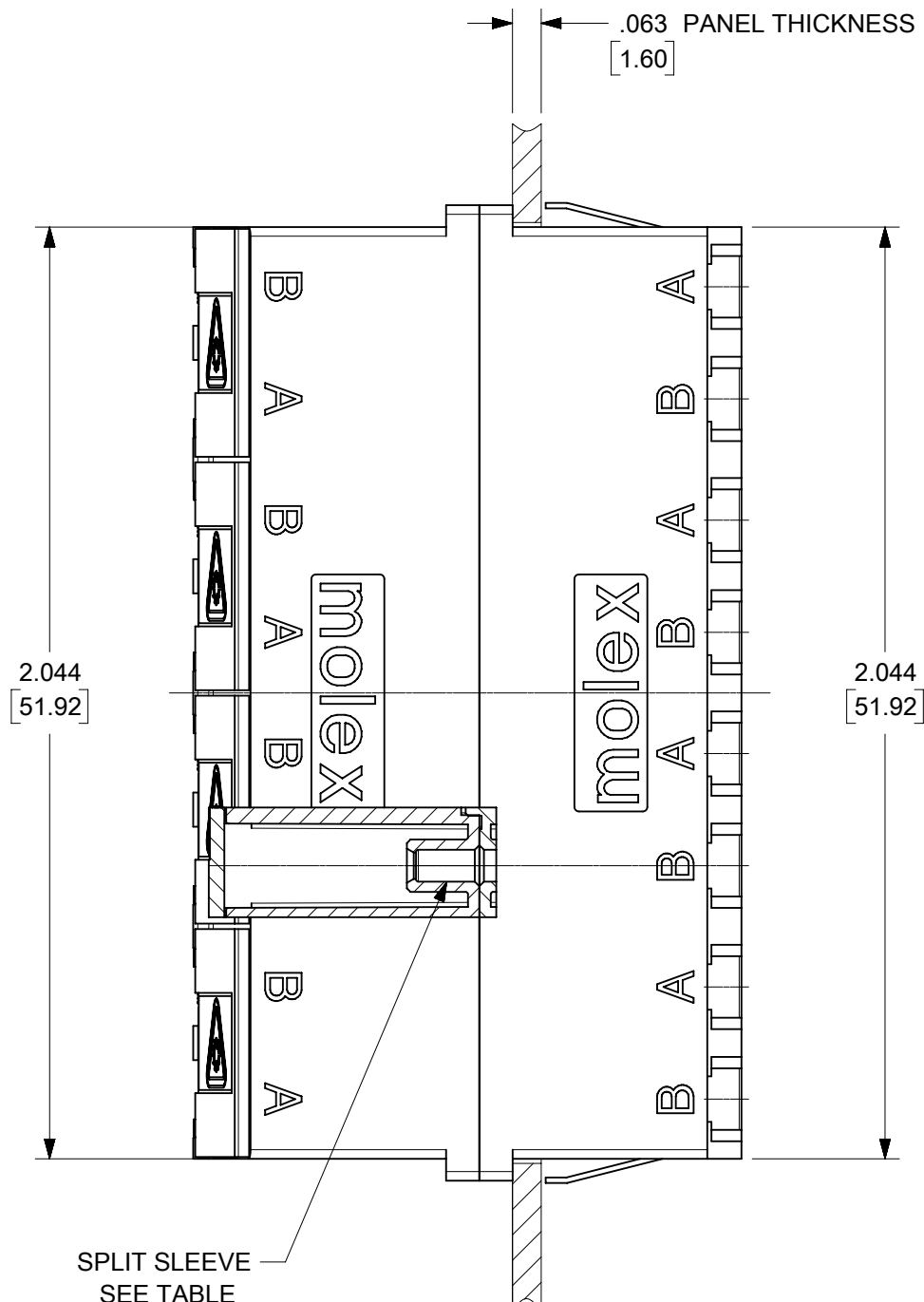
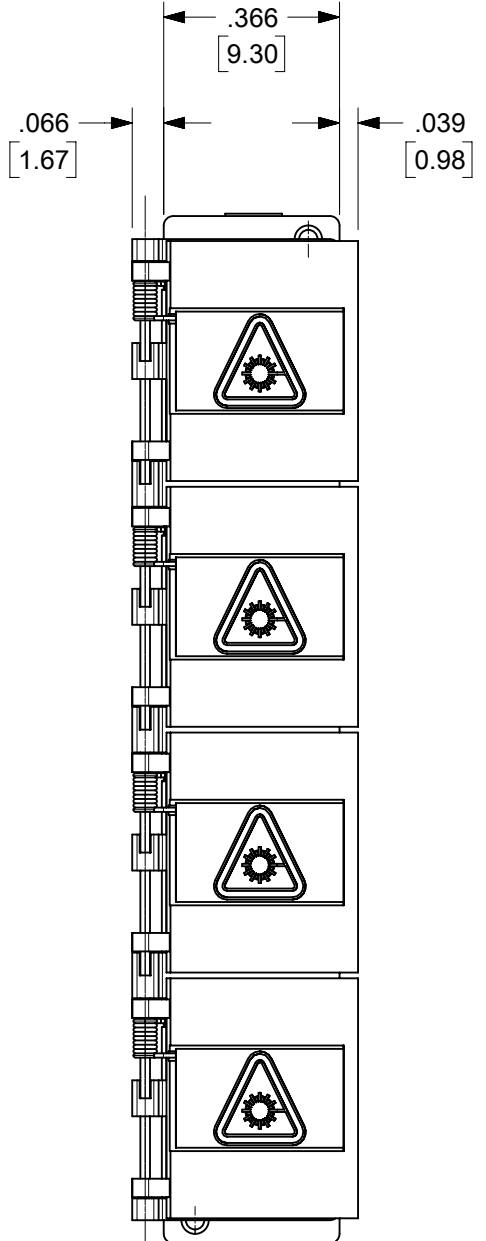
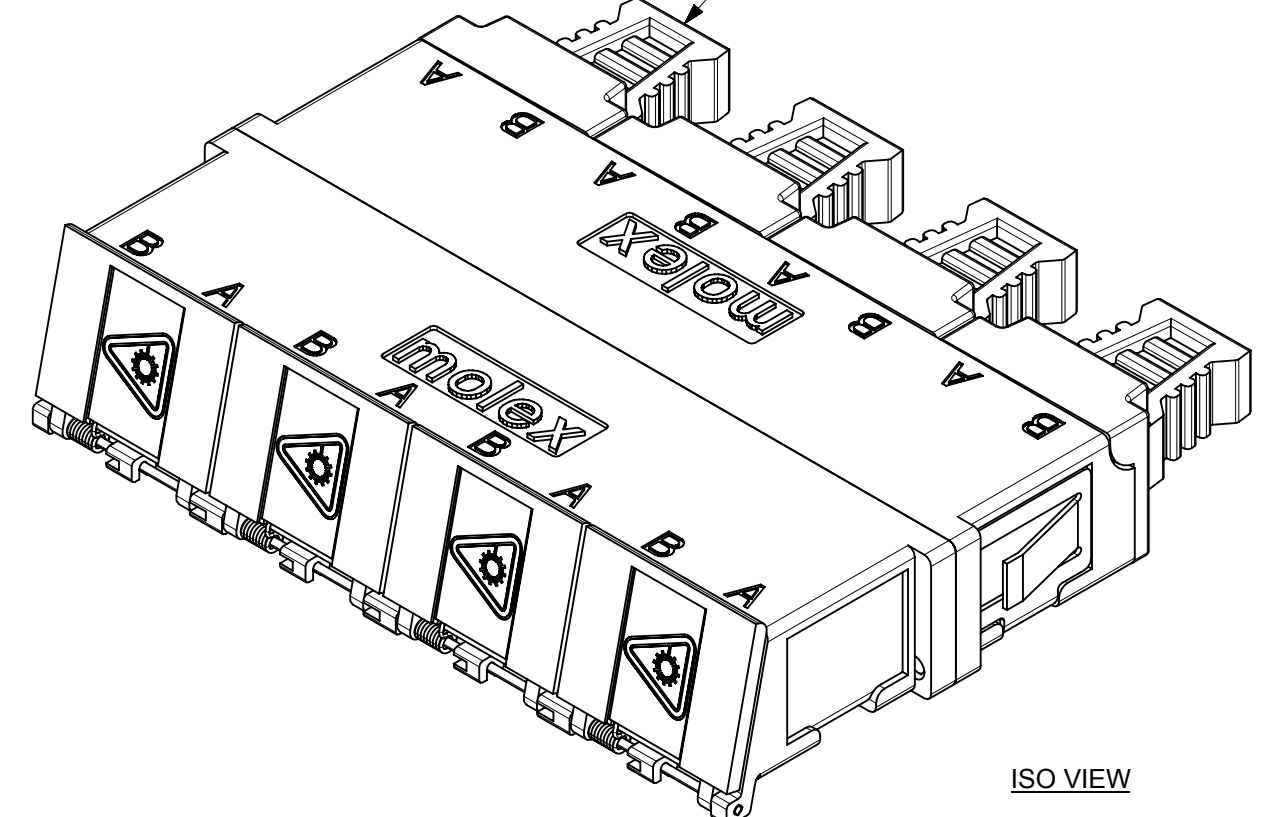
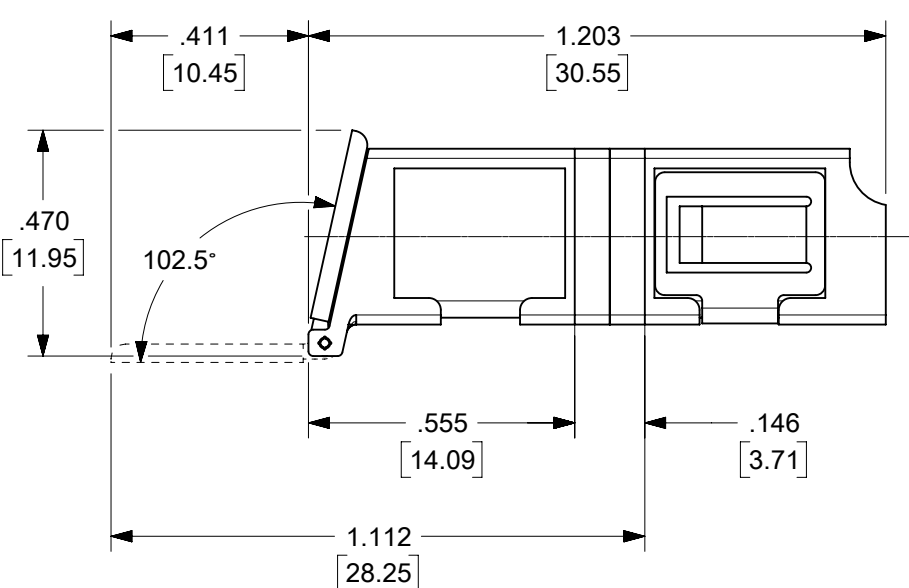


LC 8 PORT ADAPTER		SPLIT SLEEVE MATERIAL
P/N	COLOR	
106121-0300	BLUE	CERAMIC
106121-0302	BEIGE	
106121-0303	AQUA	



RECOMMENDED MOUNTING PATTERN
DUST CAP SEE NOTE 2



ISO VIEW

NOTES:
1. ALL DIMENSIONS ARE FOR REFERENCE.
2. DUST CAPS SHOWN IN ISO VIEW ONLY.

THIS DRAWING CONTAINS INFORMATION THAT IS PROPRIETARY TO MOLEX ELECTRONIC TECHNOLOGIES, LLC AND SHOULD NOT BE USED WITHOUT WRITTEN PERMISSION															
DIMENSION UNITS		SCALE		CURRENT REV DESC:											
IN/MM		2.5:1		moLEX LC 8 PORT ADAPTER SNAP MOUNT W/SHUTTERS PRODUCT CUSTOMER DRAWING											
GENERAL TOLERANCES (UNLESS SPECIFIED)										EC NO: 652962		DRWN: SKRISHNAMU01		2021/05/28	
4 PLACES		±								CHK'D: WCHEN		2021/08/24		DOCUMENT NUMBER	
3 PLACES		±								APPR: WCHEN		2021/08/24		SD-106121-0300	
2 PLACES		±								INITIAL REVISION:		DRWN: YBELENKIY		DOC TYPE DOC PART REVISION	
1 PLACE		±		APPR: WCHEN		2011/09/07		PSD 001 D							
0 PLACES		±		THIRD ANGLE PROJECTION		DRAWING		SERIES							
ANGULAR TOL		± °		DRAFT WHERE APPLICABLE MUST REMAIN WITHIN DIMENSIONS		C-SIZE		106121							
MATERIAL NUMBER		CUSTOMER		SHEET NUMBER											
SEE TABLE		GENERAL MARKET		1 OF 1											