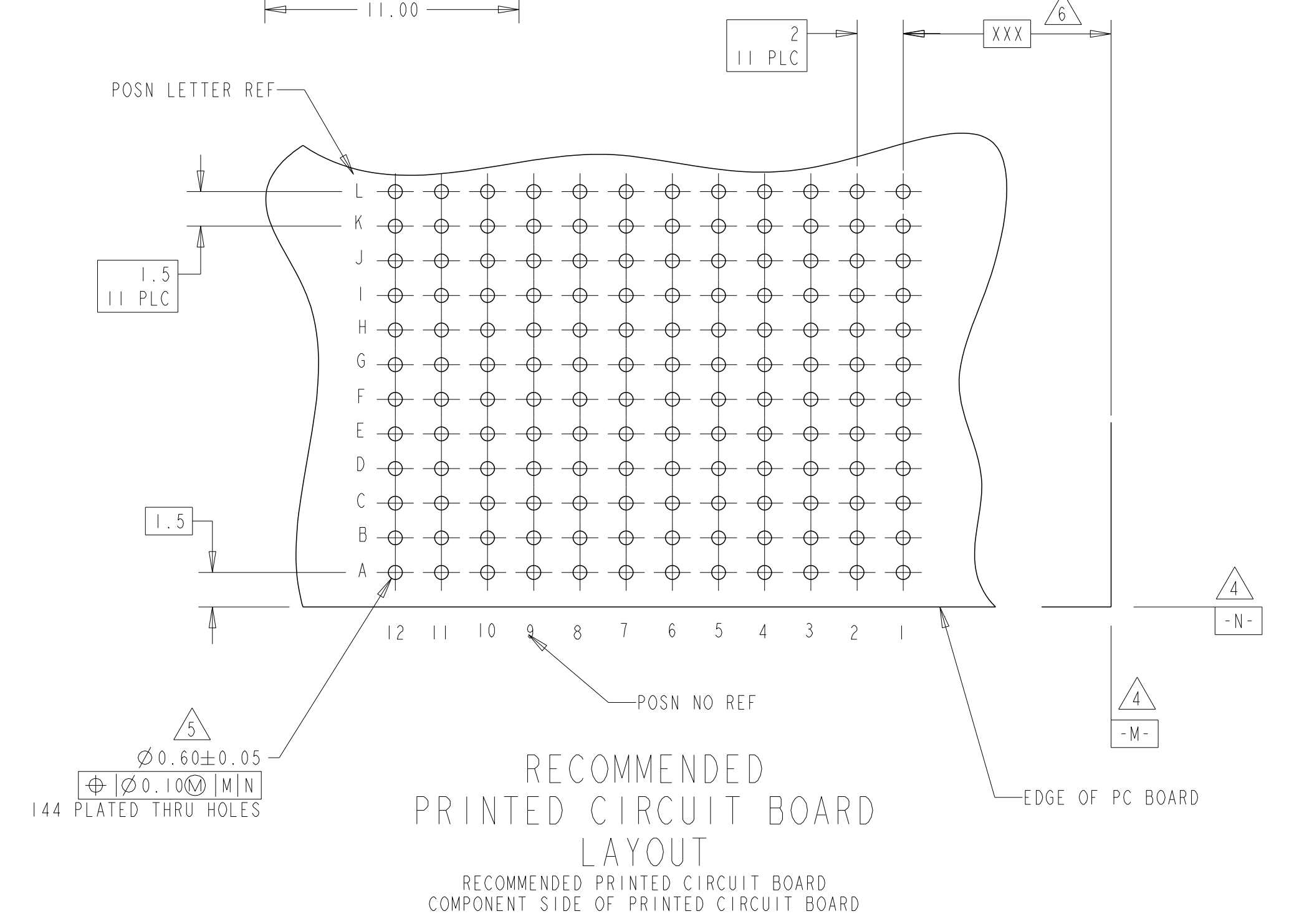
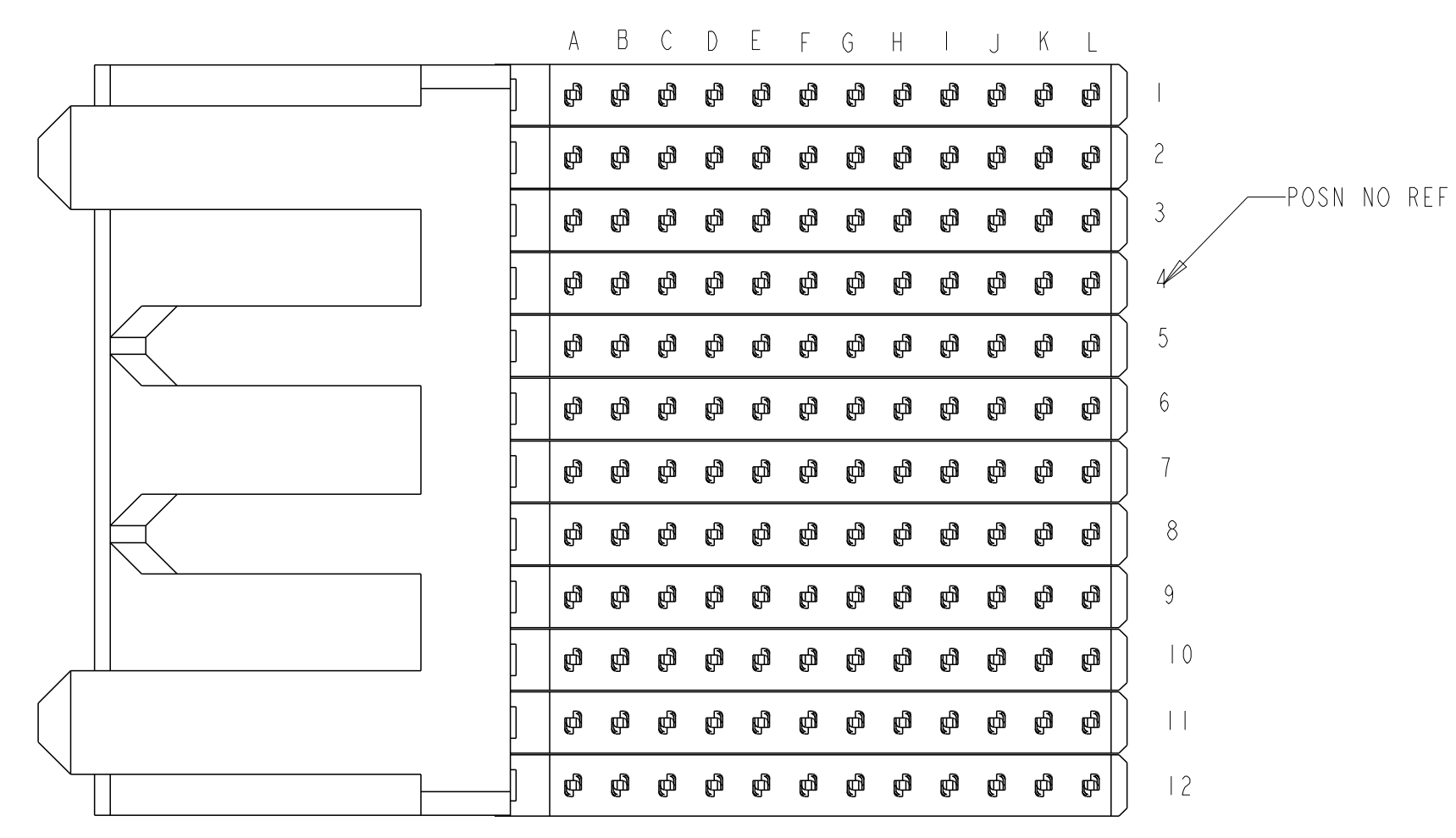
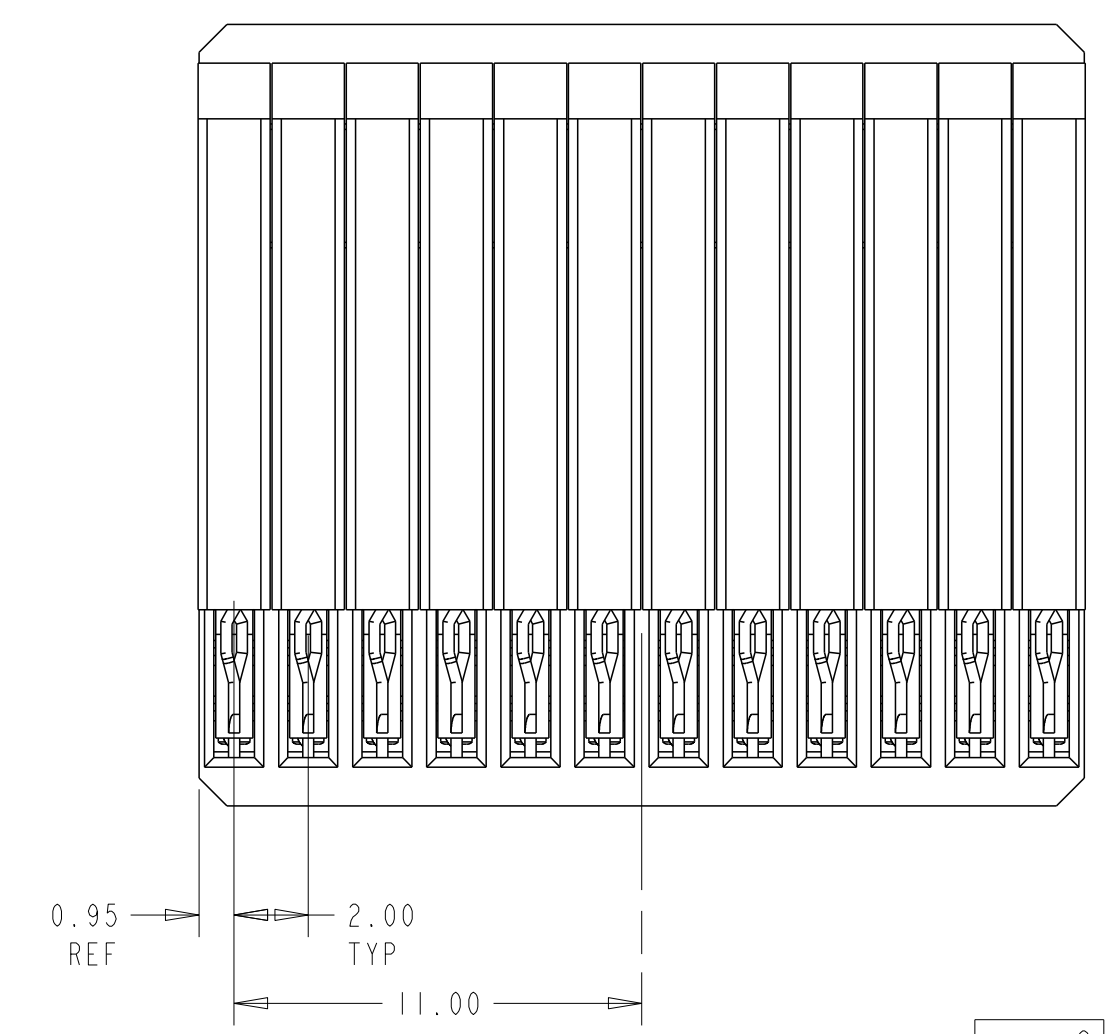
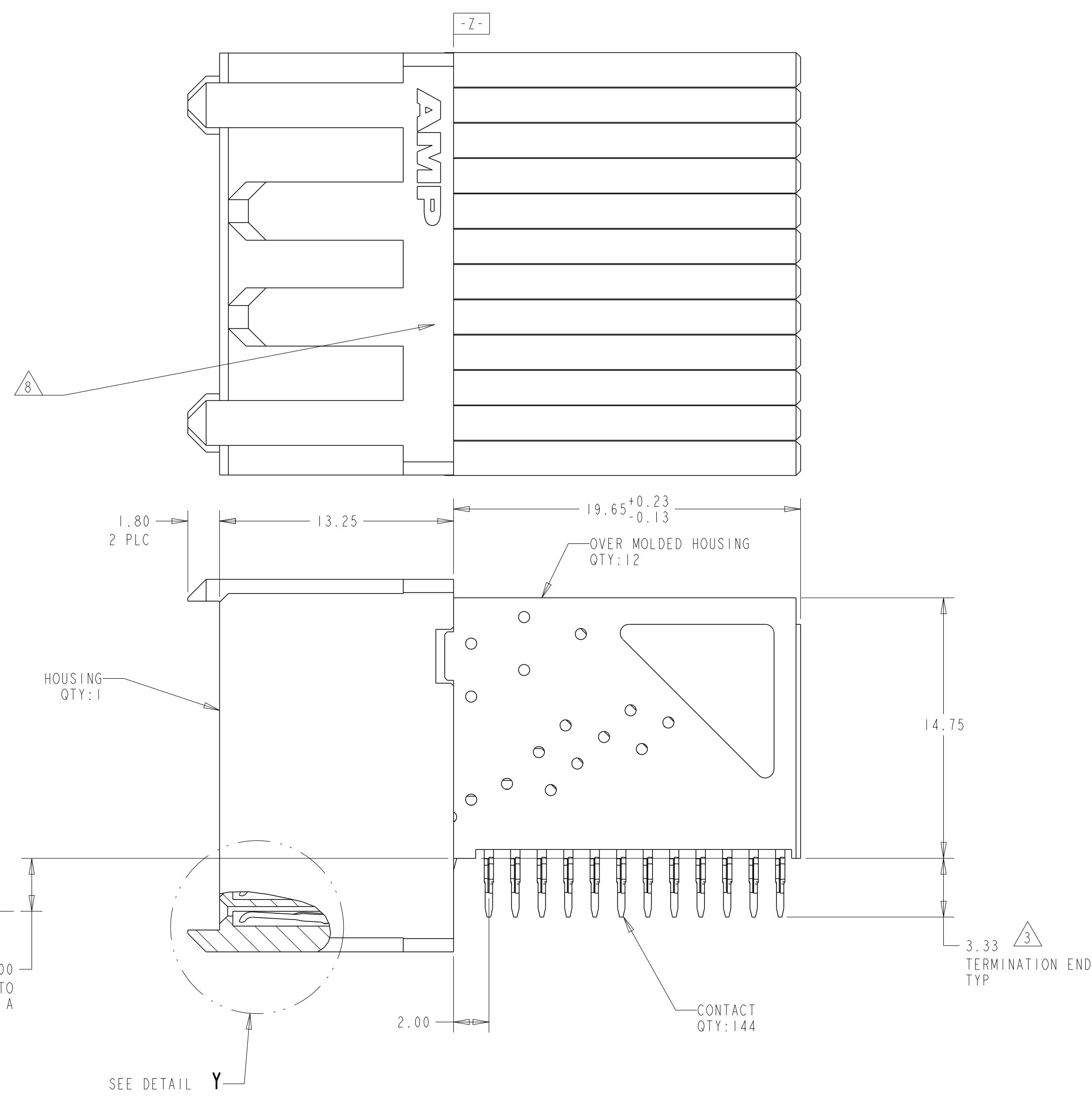
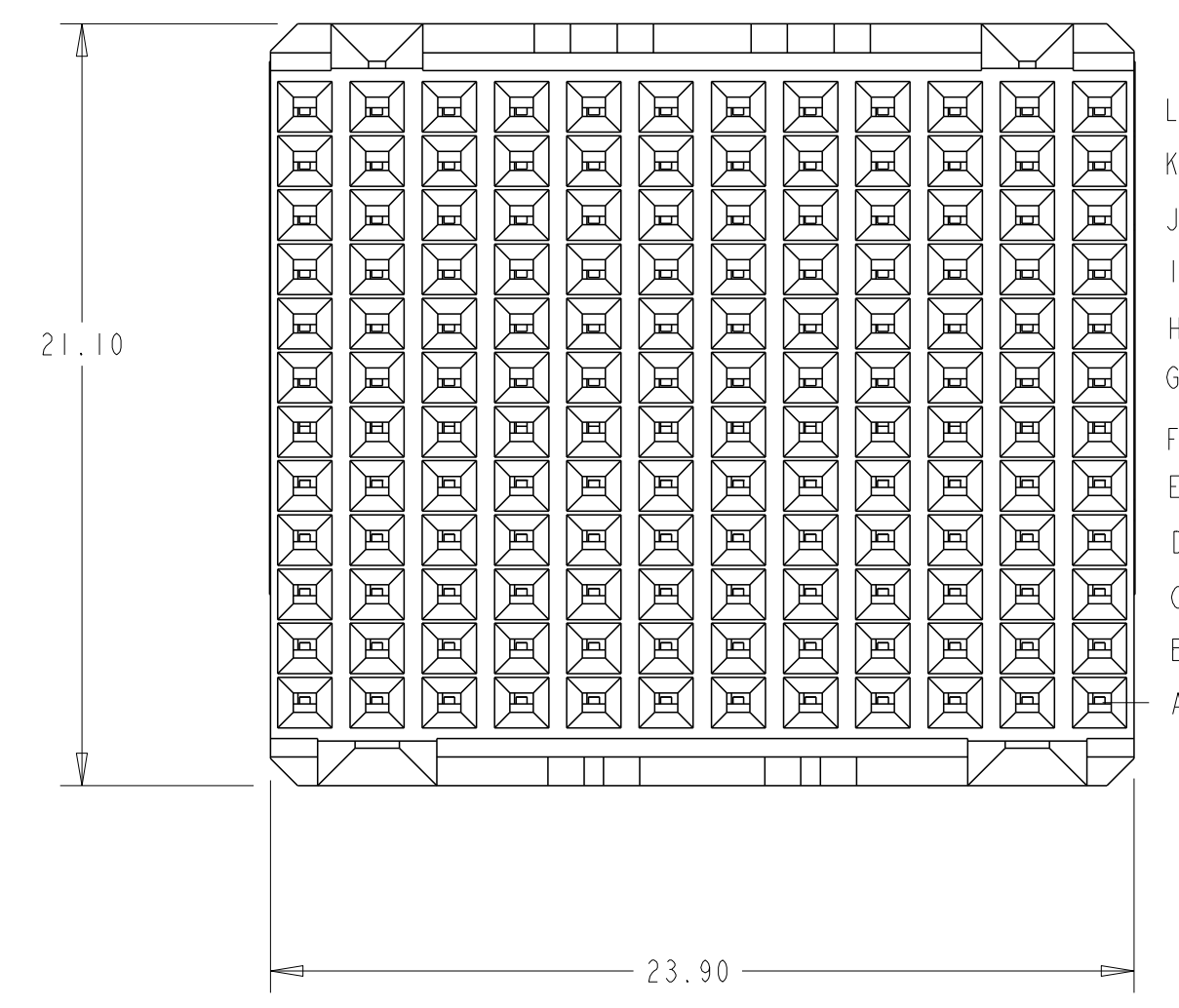
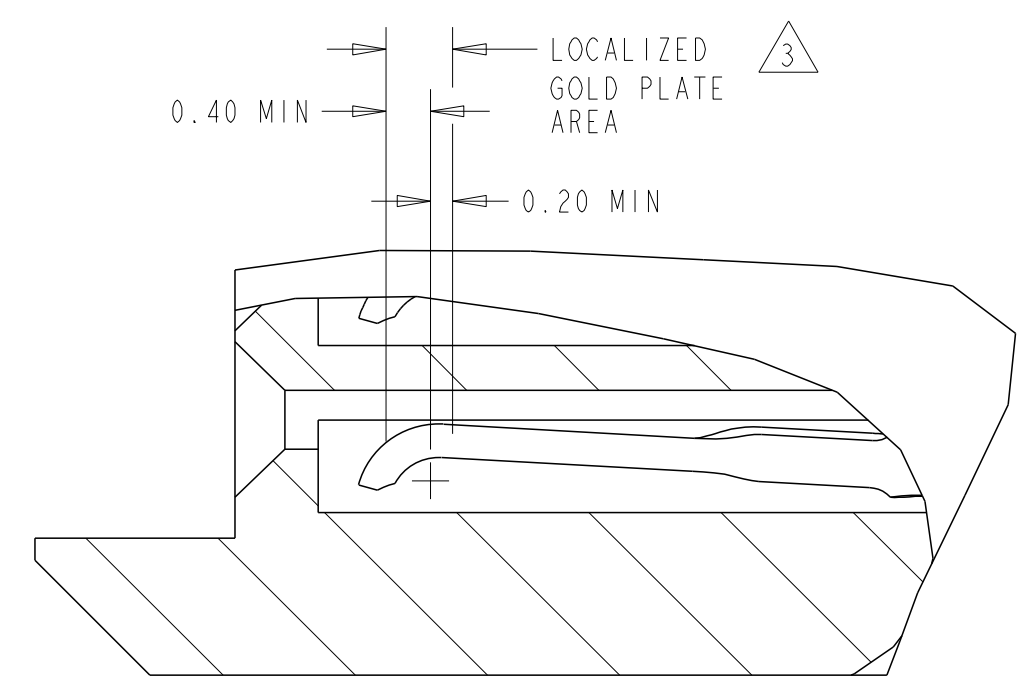


LOC	DIST	REVISIONS			
P	LTR	DESCRIPTION	DATE	DRN	APVD
	ES	00			
A		INITIAL RELEASE	10MAY11	RC	CW



- 1 GLASS FILLED POLYESTER, BLACK
- 2 PHOSPHOR BRONZE
- 3 CONFORMS TO ALL TESTING ACCORDING TO IEC 61076-4-101 PERFORMANCE LEVEL 2.
- 4 DATUMS ESTABLISHED BY CUSTOMER.
- 5 DRILLED HOLE DIAMETER 0.700±0.025  
COPPER THK 0.025-0.05  
TIN THICKNESS 0.004-0.01
- 6 DIMENSION ESTABLISHED BY CUSTOMER.
- 7 GENERAL PLATING SPECIFICATION: UNDERPLATING (ENTIRE CONTACT): 1.27um MIN NICKEL AND ACTION PIN: 0.5um MIN TIN.  
FOR PLATING OF MATING SURFACES SEE APPLICABLE SPECIFICATION REFERENCE FOR EACH DASH NUMBER.
- 8 CONNECTOR PRINTED WITH PART NUMBER AND DATE CODE, LOCATED APPROXIMATELY AS SHOWN.



DETAIL Y  
SCALE 15:1

THIS DRAWING IS A CONTROLLED DOCUMENT.		DRN RAYMOND CAO	TOMAY11	TE Connectivity	
DIMENSIONS: mm		CHK ALEX SHOAL	TOMAY11	<b>STE</b> RECEPTACLE ASSEMBLY, 144 POSITION, 12 ROW, Z-PACK HM	
TOLERANCES UNLESS OTHERWISE SPECIFIED:		APVD MANOJIAN WANG	TOMAY11		
0 PLC ±: 1 PLC ±0.2 2 PLC ±0.2 3 PLC ±: 4 PLC ±: ANGLES ±: FINISH ±:		APPLICATION SPEC	NAME	SIZE	CAGE CODE
MATERIAL HOUSING: 1 CONTACTS: 2		WEIGHT	PRODUCT SPEC	A1	00779
LOCALIZED GOLD PLATE AREA 0.40 MIN 0.20 MIN		RESTRICTED TO	SCALE	5:1	SHEET 1 OF 1
0.60±0.05 0.100 MIN 144 PLATED THRU HOLES		DATE	REV	A	