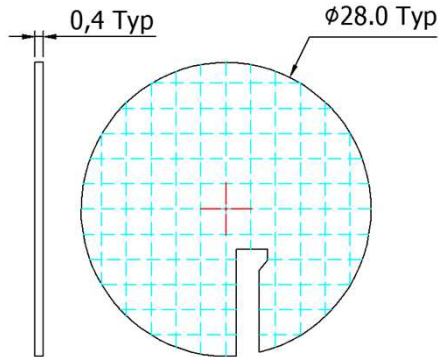


TDK P/N: WR282840-37K2-LR3

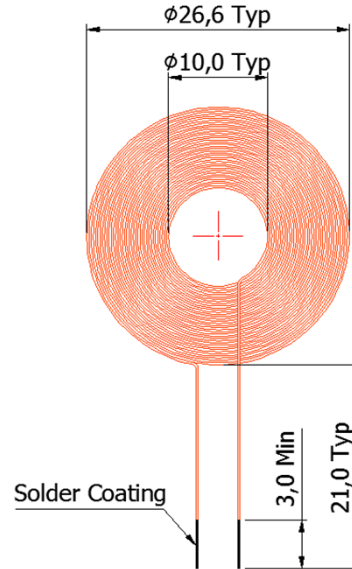
< Dimension of Ferrite sheet >

- FK2 $\Phi 28 \times 0.4$ mm

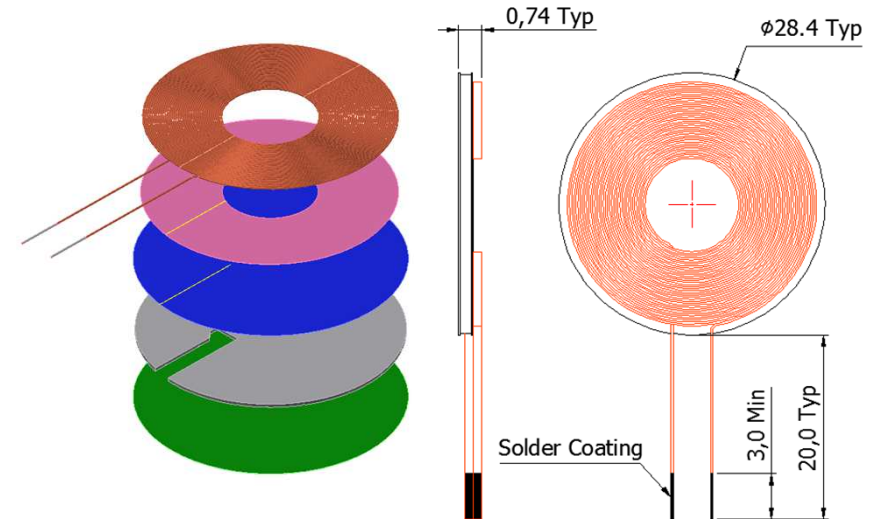


< Dimension of Coil >

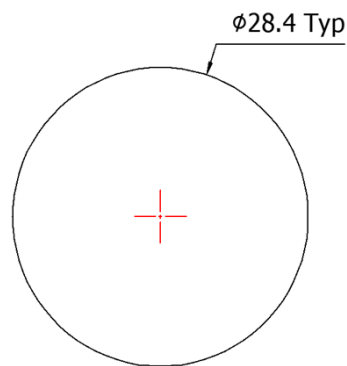
- 0.20mm Single Wire, 37Ts/Layer



< Structure >



< Dimension of PET Tape >



< Thickness >

Unit: mm

Wireless charging Rx thickness	Typ	Max
Coil+Resin	0.250	0.263
Adhesive tape	0.030	0.032
PET tape	0.030	0.032
Main Sheet	0.400	0.448
PET tape	0.030	0.032
Total	0.740	0.805

< Electric Characteristic >

Wireless charging Rx Electric Characteristic	Typ
Ls @ 100KHz [uH]	46.0 Typ.
Rs @ 100KHz [Ohm]	1.30 Typ.
Rdc [Ohm]	1.25 Typ.