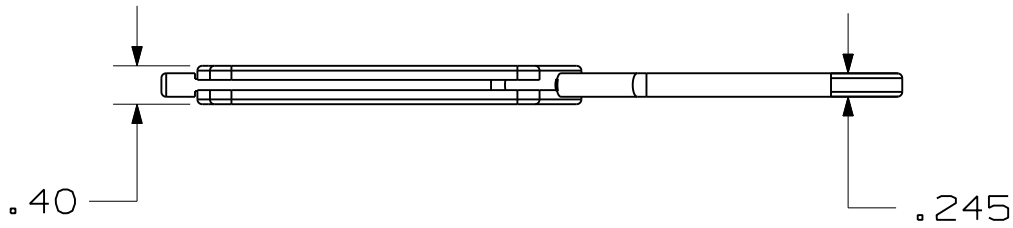
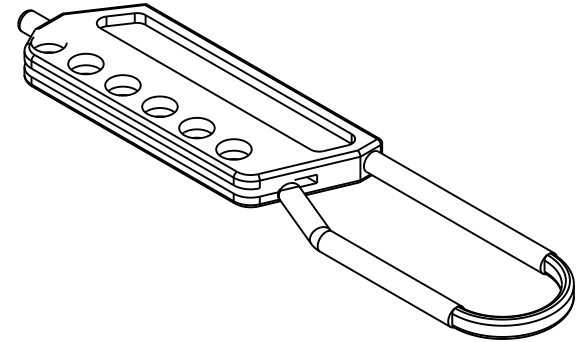
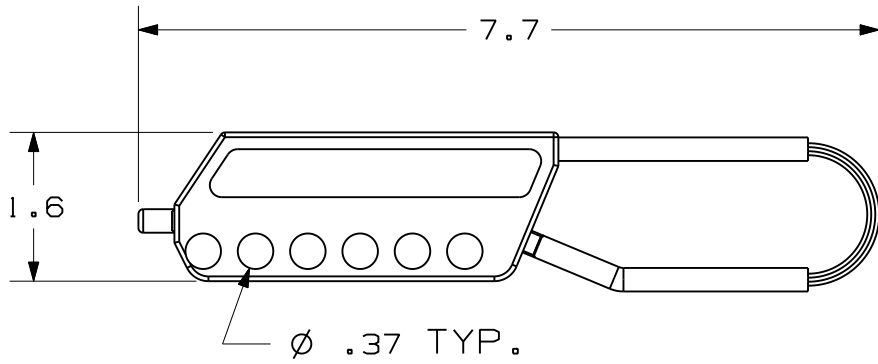


THIS COPY IS PROVIDED ON A RESTRICTED BASIS AND IS NOT TO BE USED IN ANY WAY DETRIMENTAL TO THE INTERESTS OF PANDUIT CORP.



NOTES:

1. OPERATIONAL TEMPERATURE RANGE:
-40°F (-40°C) TO 140°F (60°C)
2. STORAGE TEMPERATURE RANGE:
-40°F (-40°C) TO 250°F (120°C)
3. HOLDS 6 PADLOCKS
4. DIELECTRIC

CAD FILENAME/LAYERS		100923D0_DC_C10890/00A	
<h1>PANDUIT</h1> <p>CORP. TINLEY PARK, ILLINOIS</p>			
<h2>PSL-NC3 PLASTIC HASP</h2> <h3>CUSTOMER DRAWING</h3>			
UNLESS OTHERWISE SPECIFIED, DIMENSIONAL TOLERANCES ARE:		UNLESS OTHERWISE SPECIFIED, ALL DIMENSIONS ARE GIVEN IN INCHES, THIRD ANGLE PROJECTION.	
(.X) ± .1	(.XXX) ± .025		
(.XX) ± .05	ANGLES ± 5°		
DRAWN BY JHAC	MAT'L:	SCALE 1:2	
DATE 02/24/11	RED NYLON	DRAWING NO. C10890	DWG A SIZE
CHK'D			

0	2/24/11	JHAC		DRAWING RELEASE	6289				
REV	DATE	BY	CHK	DESCRIPTION	ECN	R	CUST	SUP	