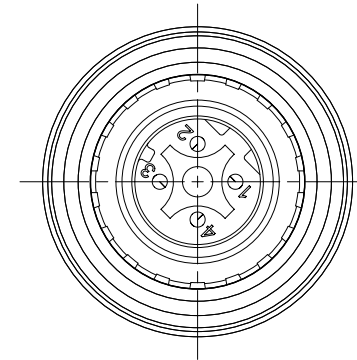
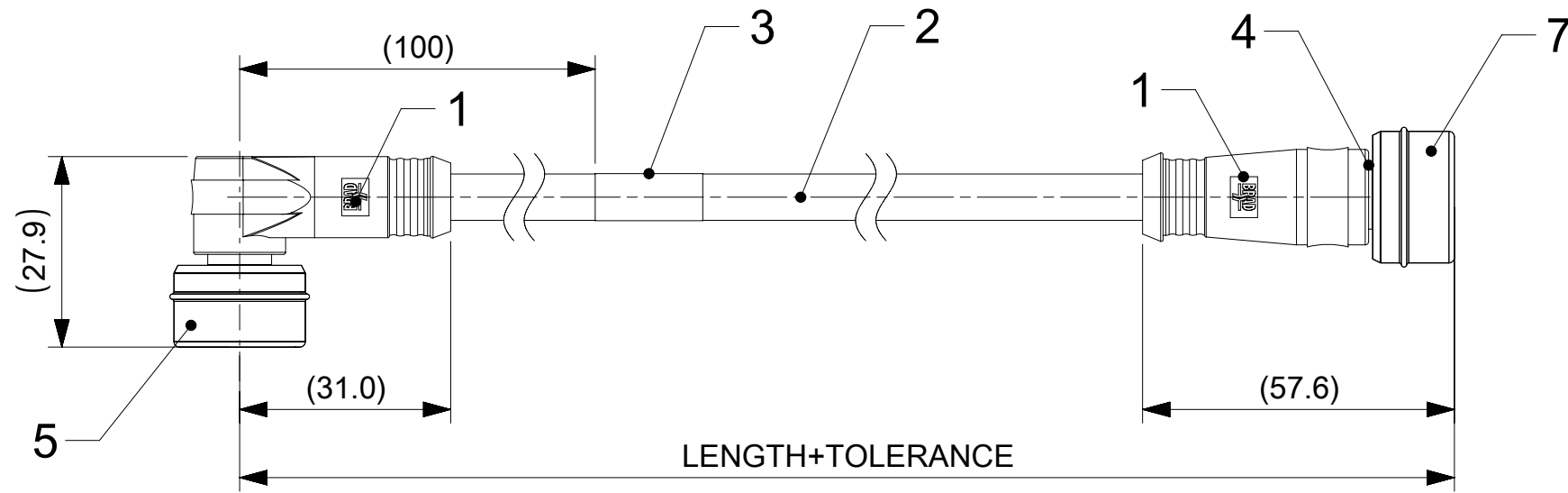
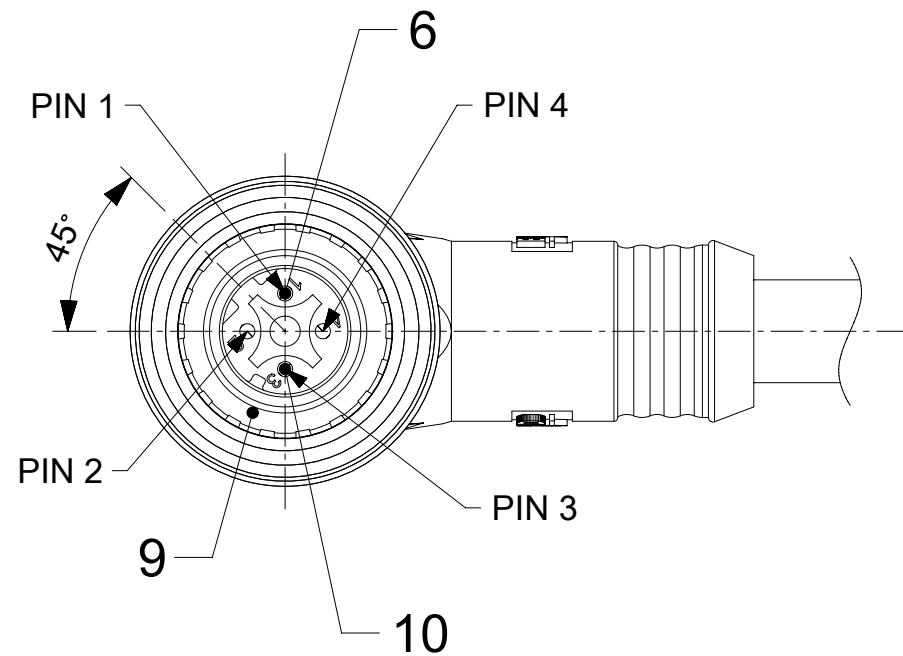


MALE PLUG U12 ANGLED 90° TO MALE PLUG U12 STRAIGHT



FRONT VIEW
SCALE 2:1



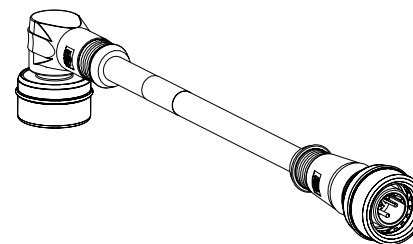
FRONT VIEW
SCALE 2:1

WIRING DIAGRAM



BOM

ITEM	QTY.	DESCRIPTION	MATERIAL	FINISH/COLOR
7	1	ULTRALOCK 4P STR ASSEMBLY	-	-
6	8	CONTACT 10 MA STA NI AU CR WRA 0.14-0.5	BRASS	SELECTIVE GOLD
5	1	ULTRALOCK 4P RA ASSEMBLY	-	-
4	1	SLEEVE	BRASS	NICKEL
3	1	LABEL	VINYL	YELLOW
2	-	CABLE	SEE SHEET 2	-
1	-	OVERMOULD	TPU	BLACK



SCALE 1:2

NOTES:

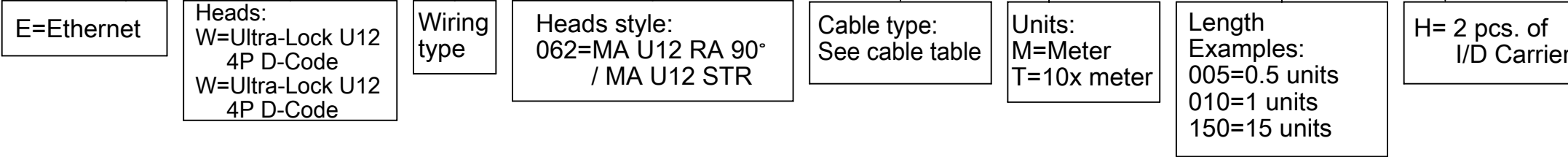
1. MATERIALS : SEE BOM TABLE
2. FINISHES: SEE BOM TABLE
3. ELECTRICAL DATA:
MAX. VOLTAGE RATING 60 VDC
MAX. CURRENT PER CONTACT 1.5 A
4. ENVIRONMENTAL:
STATIC OPERATING TEMP U12: -25°C to +85°C
INDEX OF PROTECTION M12: IP67

FUNCTIONAL SYMBOLS	THIS DRAWING CONTAINS INFORMATION THAT IS PROPRIETARY TO MOLEX ELECTRONIC TECHNOLOGIES, LLC AND SHOULD NOT BE USED WITHOUT WRITTEN PERMISSION			
$\nabla_A = 0$ $\nabla_E = 0$ $\nabla_{E'} = 0$	DIMENSION UNITS: mm SCALE: 1:1	CURRENT REV DESC: EC NO: 703182 DRWN: SSM APPR: RSILLER		
DIVISIONAL SYMBOLS	GENERAL TOLERANCES (UNLESS SPECIFIED) ANGULAR TOL $\pm 1.0^\circ$ 4 PLACES \pm 3 PLACES \pm 2 PLACES ± 0.05 1 PLACE ± 0.3 0 PLACES ± 0.5	INITIAL REVISION: DRWN: SSM APPR: RSILLER	2021/07/01 2021/09/20	PRODUCT CUSTOMER DRAWING DOCUMENT NUMBER: 1201088234 DOC TYPE: PSD DOC PART: 000 REVISION: A1
	DRAFT WHERE APPLICABLE MUST REMAIN WITHIN DIMENSIONS 	THIRD ANGLE PROJECTION DRAWING: A3-SIZE SERIES: 120108	MATERIAL NUMBER: SEE PART LIST CUSTOMER: GENERAL MARKET	SHEET NUMBER: 1 OF 2

NUMERICAL CODE (Available parts see PART LIST table. Other parts available upon request).

OPTIONS

E W W A 0 6 2 X X M X X X X



CABLE INFORMATION (for more information see Cable Data Sheet).

CABLE TYPE	CABLE O.D.	APPLICATION	CROSS SECTION	CABLE JACKET	UL	TEMP. RANGE STATIC BENDING RADIUS STATIC	TEMP. RANGE DYNAMIC BENDING RADIUS DYNAMIC	CYCLES	ADDITIONAL INFORMATION
11	6.8mm	PROFINET TYPE C	22AWG	PUR GREEN	STYLE 20549	-40°C to +80°C / min.5xO.D.	-20°C to +70°C / min.7.5xO.D.	up to 5 Mio	-
12	6.7mm	PROFINET TYPE C	22AWG	TPU BASED GREEN	STYLE 21215	-40°C to +80°C / min.5xO.D.	-25°C to +80°C / min.15xO.D.	about 2M, min.15xO.D., -5°C to +60°C	WSOR
16	6.5mm	-	24AWG	TPU BASED TEAL	STYLE 21215	-40°C to +80°C / min.6xO.D.	-20°C to +50°C	1M, min.10xO.D. / 2M min.20xO.D. @20°C	WSOR
17	8.0mm	PROFINET TYPE B & C	22AWG	TPE GREEN	STYLE 2463	-40°C to +75°C		1M min.10xO.D. / 10M min.20xO.D. @20°C	WSOR

PART LIST

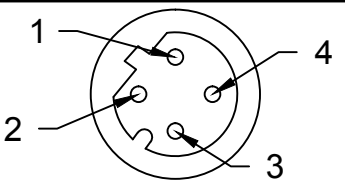
No.	MOLEX P/N	ENGINEERING NO.	CABLE LENGTH
1	1201088234	EWWA06211M020	2m
2	1201088235	EWWA06211M050	5m
3	1201088236	EWWA06211M100	10m
4	1201088237	EWWA06211M150	15m
5	1201088238	EWWA06211M200	20m
6	1201088239	EWWA06211M300	30m
7	1201088240	EWWA06211M400	40m
8	1201088241	EWWA06211M600	60m
9	1201088242	EWWA06211M800	80m
10	1201088243	EWWA06211T100	100m
11			
12			
13			
14			
15			
16			
17			
18			
19			
20			
21			
22			
23			
24			
25			

CABLE LENGTH TOLERANCES

LENGTH	TOLERANCE
0 m-1 m	+40 mm
>1 m-5 m	+60 mm
>5 m-10 m	+80 mm
>10 m-20 m	+140 mm
>20 m-30 m	+160 mm
>30 m	+1% length

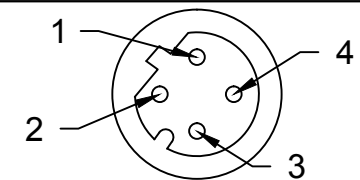
FUNCTIONAL SYMBOLS	THIS DRAWING CONTAINS INFORMATION THAT IS PROPRIETARY TO MOLEX ELECTRONIC TECHNOLOGIES, LLC AND SHOULD NOT BE USED WITHOUT WRITTEN PERMISSION		CURRENT REV DESC:		molex
$\nabla_A = 0$ $\nabla_B = 0$ $\nabla_C = 0$	DIMENSION UNITS	SCALE	EC NO: 703182 DRWN: SSM CHK'D: RSILLER APPR: RSILLER		
DIVISIONAL SYMBOLS	mm	1:1	2021/10/20 2022/04/14 2022/04/14		MIC 4P M/M P ULOCK ST/90 XXXM PUR
	GENERAL TOLERANCES (UNLESS SPECIFIED)		INITIAL REVISION:		PRODUCT CUSTOMER DRAWING
	ANGULAR TOL ± 1.0°		DRWN: SSM APPR: RSILLER		DOCUMENT NUMBER
	4 PLACES ±		2021/07/01		1201088234
	3 PLACES ±		2021/09/20		DOC TYPE
	2 PLACES ± 0.05				PSD
	1 PLACE ± 0.3				DOC PART
	0 PLACES ± 0.5				000
	DRAFT WHERE APPLICABLE MUST REMAIN WITHIN DIMENSIONS		THIRD ANGLE PROJECTION	DRAWING	REVISION
				A3-SIZE	A1
	SERIES	MATERIAL NUMBER	CUSTOMER	SHEET NUMBER	
	120108	SEE PART LIST	GENERAL MARKET	2 OF 2	

FRONT VIEW - MALE M12

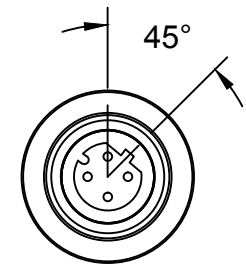
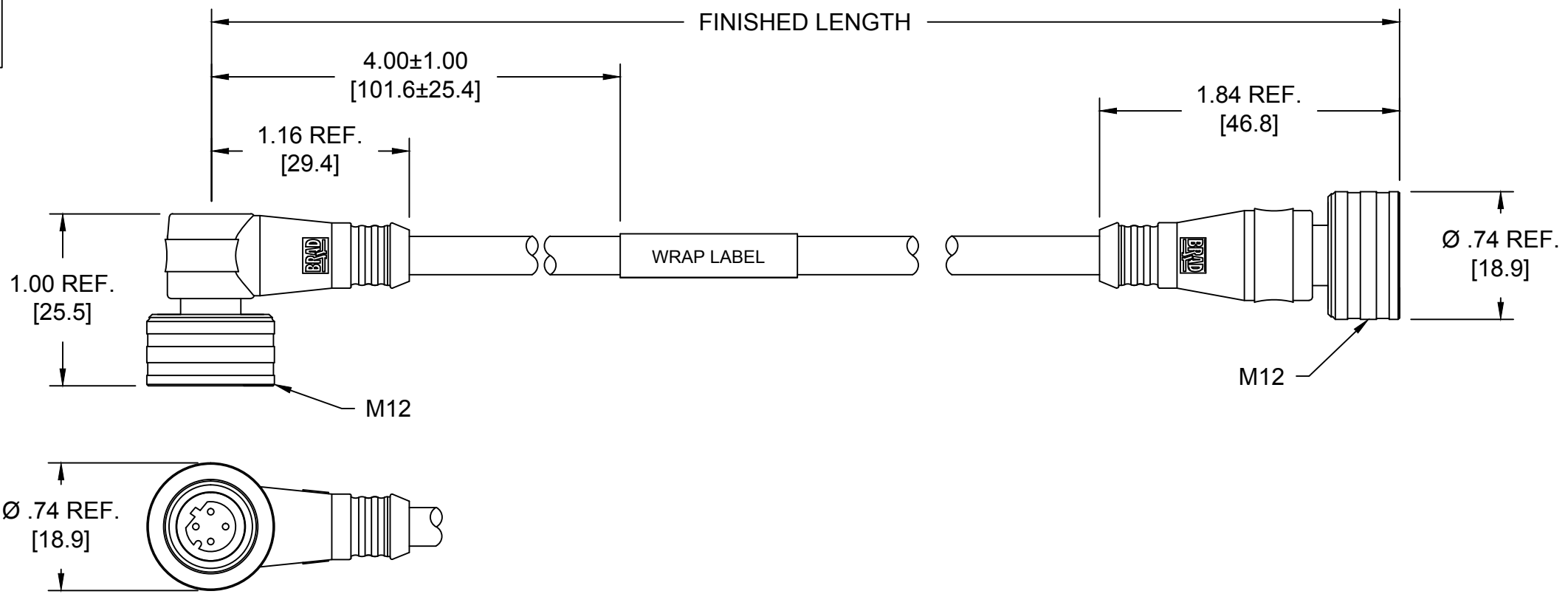


1-YELLOW
2-WHITE
3-ORANGE
4-BLUE

FRONT VIEW - MALE M12



1-YELLOW
2-WHITE
3-ORANGE
4-BLUE



NOTES:

MECHANICAL

M12 CONNECTOR
INSERT: BLACK PUR
CONTACT: GOLD/NICKEL OVER COPPER ALLOY
COUPLING NUT: NICKEL PLATED BRASS
MOLDED BODY: BLACK PUR

CABLE: 22 AWG 4 CONDUCTORS SHIELDED GREEN PUR JACKET
AGENCY LISTED: UL AND CSA
CABLE MARKING: X N X 2x2xAWG22/7-9H(ST) C11Y INDUSTRIAL ETHERNET
PROFINET TYP C E48408 cULus AWM STYLE 20236 AWM I/II A/B
80°C 30 V FT1

WRAP LABEL: MARKED WITH P/N, DATE CODE, VOLTAGE & AMPERAGE

ELECTRICAL

ACCORDING TO CAT5e
VOLTAGE RATING: 250V AC/DC
AMPERAGE: 4A

ADDED PART NO. TABLE EC NO: IPG2015-2010 DRWN: GGUSTAFS 2015/05/27 CHKD: BARDEN 2015/07/23 APPR: BWOODMAN 2014/08/02	DESCRIPTION REV	QUALITY SYMBOLS ▽=0 ∇=0	GENERAL TOLERANCES (UNLESS SPECIFIED)		DIMENSION STYLE		SCALE	DESIGN UNITS	THIRD ANGLE PROJECTION
					IN/MM		NTS	INCH	
					DRAWN BY	DATE	TITLE		
					CHECKED BY	DATE	M12 ULOCK CABLE ASSY 4P M/MP ST/90 D-CODE 2X2X22AWG GREEN PUR		
		ANGULAR ±1/2°		APPROVED BY	DATE	MOLEX INCORPORATED			
		DRAFT WHERE APPLICABLE MUST REMAIN WITHIN DIMENSIONS		SEE TABLE		DOCUMENT NO.		SHEET NO.	
				MATERIAL NO.		SD-120108-071		1 OF 2	
				SIZE B		THIS DRAWING CONTAINS INFORMATION THAT IS PROPRIETARY TO MOLEX INCORPORATED AND SHOULD NOT BE USED WITHOUT WRITTEN PERMISSION			

10 9 8 7 6 5 4 3 2 1

F

E

D

C

B

A

MATERAIL NO.	ENGINEERING NO.
1201088234	EWWA06211M020
1201088235	EWWA06211M050
1201088236	EWWA06211M100
1201088237	EWWA06211M150
1201088238	EWWA06211M200
1201088239	EWWA06211M300
1201088240	EWWA06211M400
1201088241	EWWA06211M600
1201088242	EWWA06211M800
1201088243	EWWA06211T100

EWWA06211M020

CABLE TYPE
22/4AWG
PUR GREEN

CABLE LENGTH
010----1 Meter
100----10 Meters

ADDED PART NO. TABLE EC NO: IPG2015-2010 DRWN: GGUSTAFS 2015/05/27 CHKD: BARDEN 2015/07/23 APPR: BWOODMAN 2014/08/02	QUALITY SYMBOLS	GENERAL TOLERANCES (UNLESS SPECIFIED)		DIMENSION STYLE		SCALE	DESIGN UNITS	THIRD ANGLE PROJECTION		
	▽=0 ◻=0	mm	INCH	IN/MM		NTS	INCH	M12 ULOCK CABLE ASSY 4P M/MP ST/90 D-CODE 2X2X22AWG GREEN PUR		
		4 PLACES	±---	±---	DRAWN BY	DATE	TITLE			
		3 PLACES	±---	±.005	BARDEN	2013/12/06	MOLEX INCORPORATED			
		2 PLACES	±0.13	±.010	CHECKED BY	DATE				
1 PLACE	±0.25	±.020	TWOLDEGE	2014/04/09						
	ANGULAR ±1/2°		APPROVED BY	DATE	DOCUMENT NO.		SHEET NO.			
	DRAFT WHERE APPLICABLE MUST REMAIN WITHIN DIMENSIONS		JFMURPHY	2014/08/02	SD-120108-071		2 OF 2			
			MATERIAL NO.		THIS DRAWING CONTAINS INFORMATION THAT IS PROPRIETARY TO MOLEX INCORPORATED AND SHOULD NOT BE USED WITHOUT WRITTEN PERMISSION					
			SEE TABLE							
			SIZE							
			B							

10 9 8 7 6 5 4 3 2 1

F

E

D

C

B

A