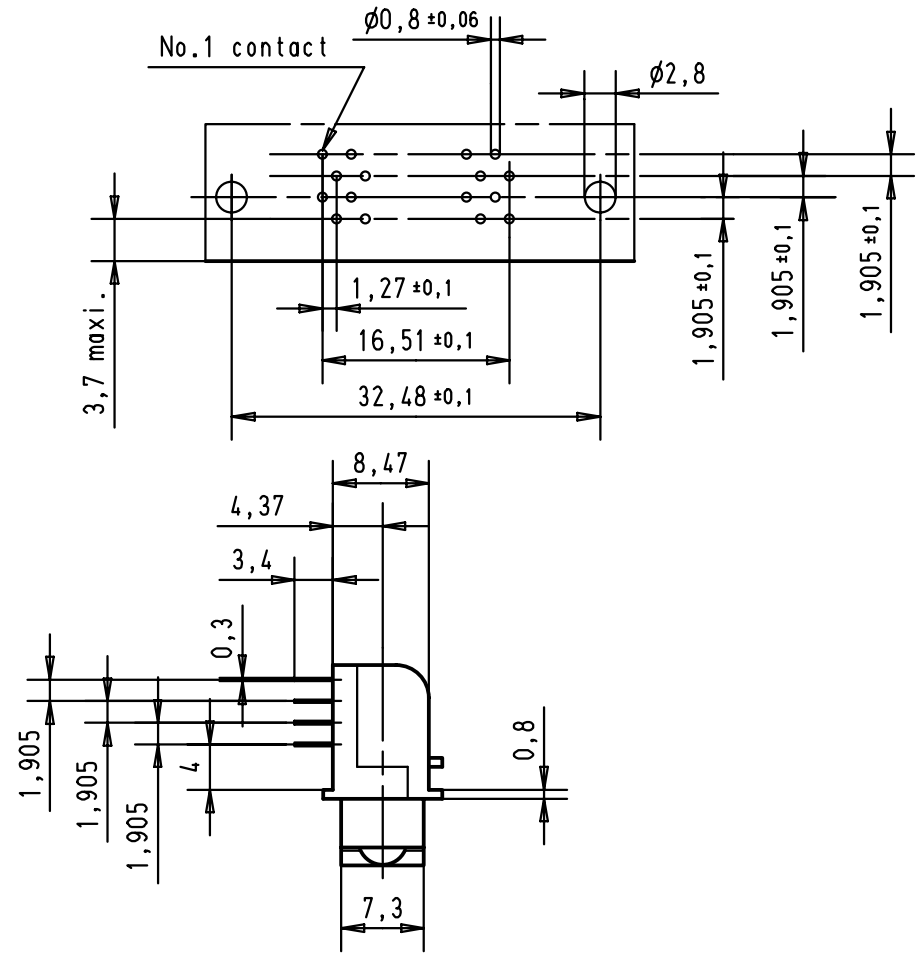
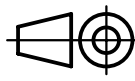



Printed board layout  
Component side



D  
C  
B  
A

|       |           |      |                               |           |      |   |   |                                |
|-------|-----------|------|-------------------------------|-----------|------|---|---|--------------------------------|
|       |           |      |                               | Dat.      | Name | <br>All Dim. in mm<br>Orig. Size DIN A 4 | har.mik® I/O bellow<br>28 poles male connector<br>with angled solder pins<br>and fixed latching | Maßstab/<br>Scale<br><br>1,5:1 |
|       |           |      | Detail.                       | 30-AUG-00 | JB   |   |   |                                |
|       |           |      | Insp.                         |           |      |   |   |                                |
|       |           |      | Stand.                        |           |      |   |   |                                |
| 27941 | 30-AUG-00 | JB   | HARTING EURL<br>F-95972 Paris |           |      |    | TB 60 11 028 5232   | Blatt/ Page<br>1 / 1           |
| Mod.  | Dat.      | Name |                               |           |      |   | Sub.  |                                |