

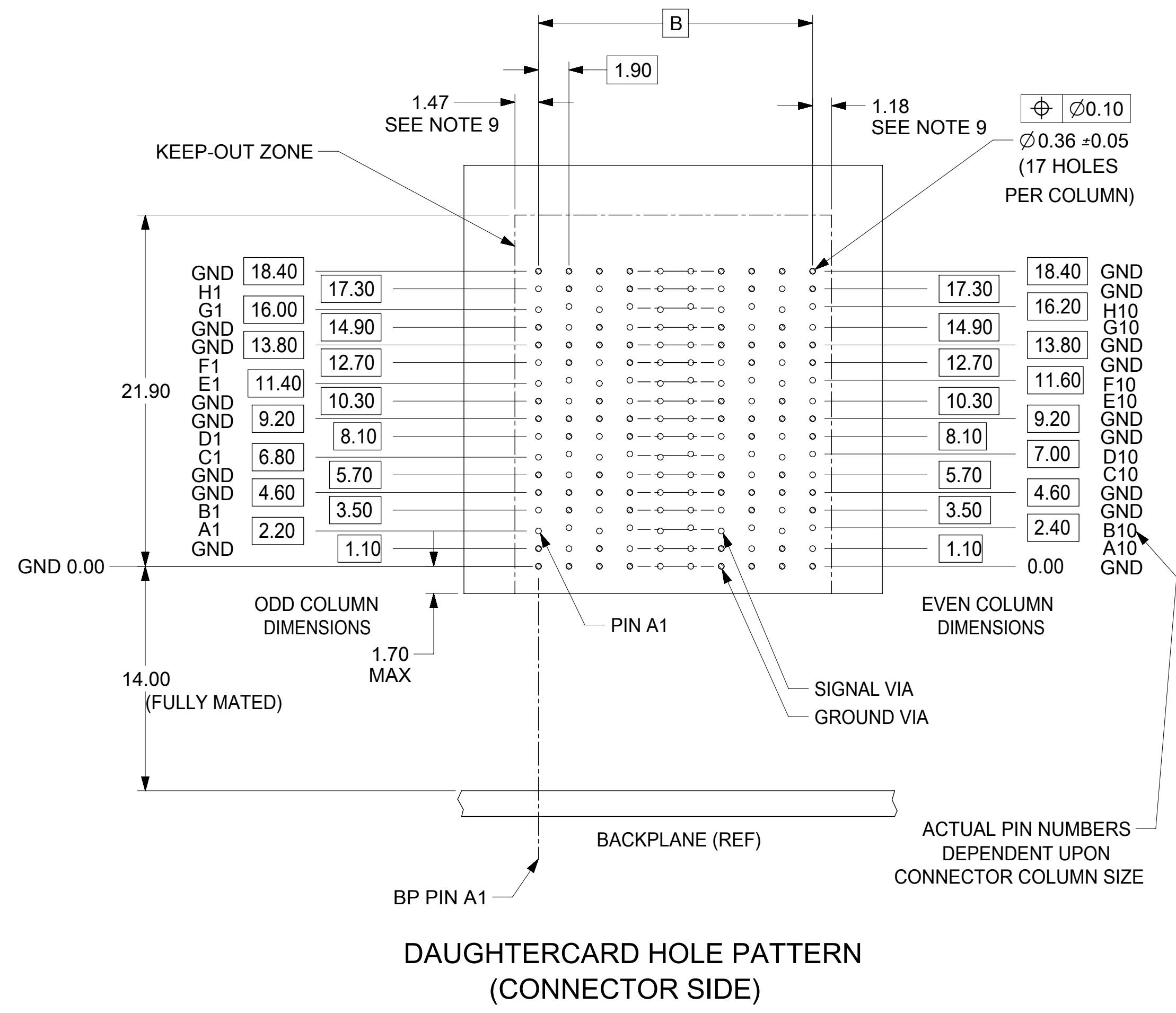
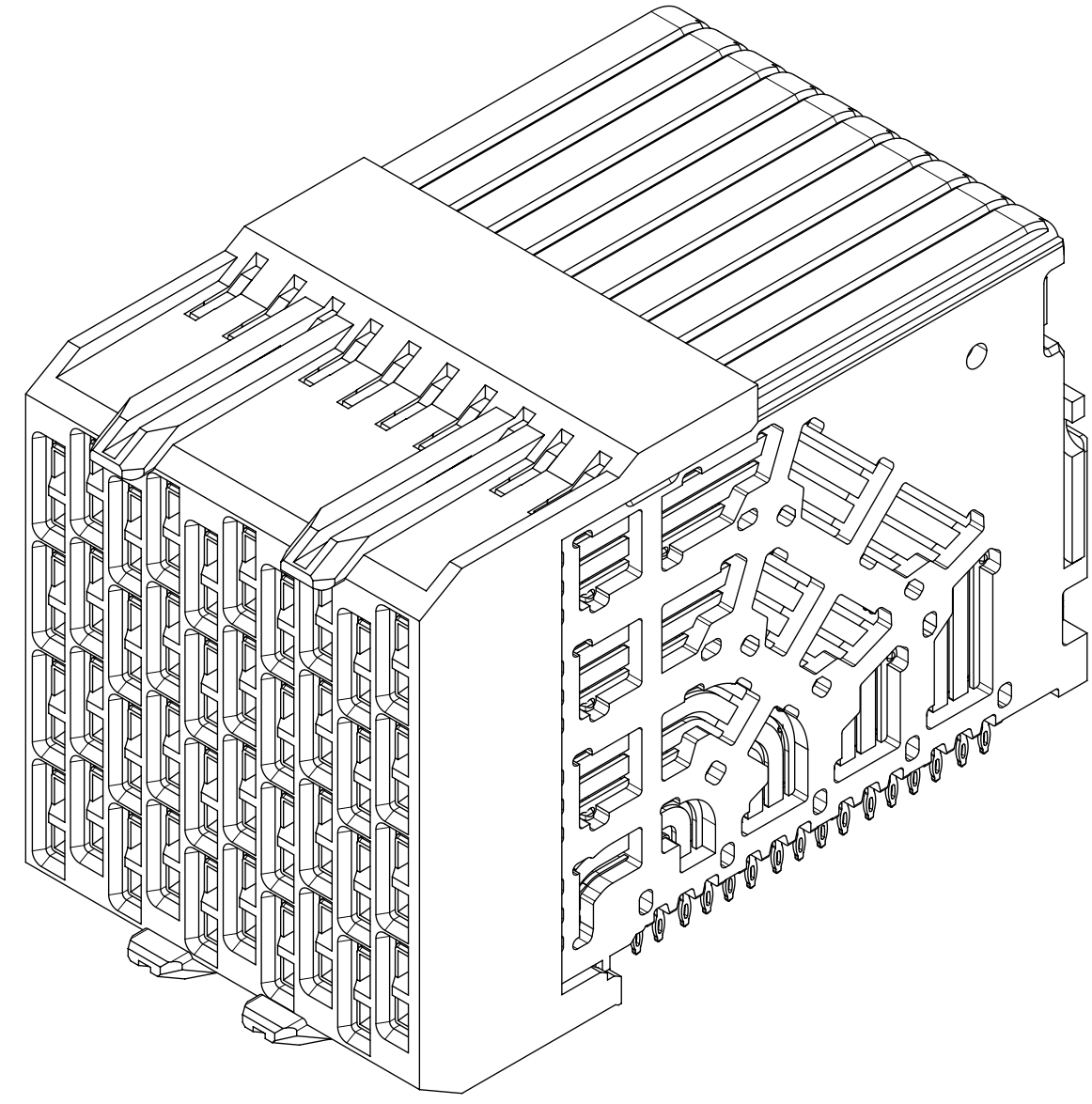
- NOTES:
1. MATERIALS: HOUSING - LIQUID CRYSTAL POLYMER (LCP)
GLASS-FILLED, UL94V-0
TERMINALS - HIGH PERFORMANCE COPPER ALLOY
 2. FINISH: 30uIN GOLD IN CONTACT AREA.
SELECTIVE TIN ON PCB TAILS.
NICKEL OVERALL.
 3. REFER TO MOLEX PRODUCT SPECIFICATION PS-171320-999 FOR PERFORMANCE SPECIFICATIONS.
 4. THIS PART CONFORMS TO CLASS B REQUIREMENTS OF MOLEX COSMETIC SPEC PS-45499-002.
 5. PRODUCT WILL BE PACKAGED PER PK-78888-085.
 6. SEE SHEET 2 FOR HOLE PATTERN DIMENSIONS.
 7. MATES WITH IMPEL BP SERIES NUMBER 171315.
 8. REFER TO IMPEL PCB ROUTING GUIDE AS-171320-990 FOR ANTIPAD, ROUTING RECOMMENDATIONS, AND ADDITIONAL PCB INFORMATION.
 9. WHEN STACKING MODULES END TO END, THE MINIMUM COLUMN TO COLUMN HOLE SPACING IS 2.65mm.

THIS DRAWING CONTAINS INFORMATION THAT IS PROPRIETARY TO MOLEX ELECTRONIC TECHNOLOGIES, LLC AND SHOULD NOT BE USED WITHOUT WRITTEN PERMISSION

DIMENSION UNITS		SCALE		CURRENT REV DESC: ADD NEW P/N											
mm		NTS													
GENERAL TOLERANCES (UNLESS SPECIFIED)								EC NO: 623408 DRWN: HLG0H 2019/04/12 CHK'D: YLLIM 2019/08/29 APPR: DWLEE01 2019/09/16 INITIAL REVISION: DRWN: JLAURX 2012/09/13 APPR: JLAURX 2012/11/05							
ANGULAR TOL		± 0.5°													
4 PLACES		±													
3 PLACES		±													
2 PLACES		± 0.13													
1 PLACE		± 0.25						IMPEL DAUGHTERCARD ASSY 4 PAIR - 1.9MM PITCH UNGUIDED SALES DRAWING PRODUCT CUSTOMER DRAWING							
0 PLACES		±						DOCUMENT NUMBER		DOC TYPE		DOC PART		REVISION	
								SD-171320-0001		PSD		001		A4	
DRAFT WHERE APPLICABLE MUST REMAIN WITHIN DIMENSIONS				THIRD ANGLE PROJECTION		DRAWING		SERIES		MATERIAL NUMBER		CUSTOMER		SHEET NUMBER	
						C-SIZE		171320		SEE TABLE		GENERAL MARKET		1 OF 2	

DOCUMENT STATUS	P1	RELEASE DATE	2019/09/16 07:04:34
-----------------	----	--------------	---------------------

MATERIAL NUMBER	NUMBER OF COLUMNS	NUMBER OF DIFF PAIR	DIM "A"	DIM "B"
171320-1036	6	24	12.15 MAX	9.50
171320-1038	8	32	15.95 MAX	13.30
171320-1020	10	40	19.75 MAX	17.10
171320-1022	12	48	23.55 MAX	20.90
171320-1024	14	56	27.35 MAX	24.70
171320-1026	16	64	31.15 MAX	28.50



THIS DRAWING CONTAINS INFORMATION THAT IS PROPRIETARY TO MOLEX ELECTRONIC TECHNOLOGIES, LLC AND SHOULD NOT BE USED WITHOUT WRITTEN PERMISSION

DIMENSION UNITS	SCALE	CURRENT REV / DESC: ADD NEW P/N		molex						
mm	NTS									
GENERAL TOLERANCES (UNLESS SPECIFIED)				IMPEL DAUGHTERCARD ASSY 4 PAIR - 1.9MM PITCH UNGUIDED SALES DRAWING						
ANGULAR TOL	± 0.5°	EC NO:	623408	PRODUCT CUSTOMER DRAWING						
4 PLACES	±	DRWN:	HLGOH	2019/04/12	DOCUMENT NUMBER			DOC TYPE	DOC PART	REVISION
3 PLACES	±	CHK'D:	YLLIM	2019/08/29	SD-171320-0001			PSD	001	A4
2 PLACES	± 0.13	APPR:	DWLEE01	2019/09/16	MATERIAL NUMBER			CUSTOMER		SHEET NUMBER
1 PLACE	± 0.25	INITIAL REVISION:		2012/09/13			SEE TABLE		GENERAL MARKET	
0 PLACES	±	DRWN: JLAURX		2012/11/05			C-SIZE		171320	
DRAFT WHERE APPLICABLE MUST REMAIN WITHIN DIMENSIONS		THIRD ANGLE PROJECTION		DRAWING		SERIES		MATERIAL NUMBER		CUSTOMER
				C-SIZE		171320		SEE TABLE		GENERAL MARKET
										2 OF 2