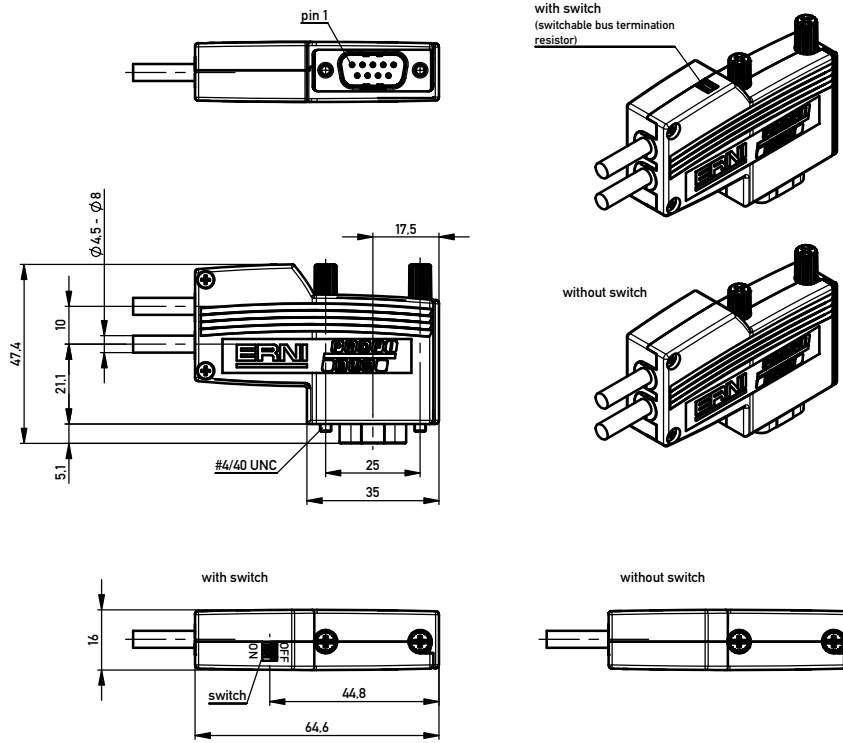
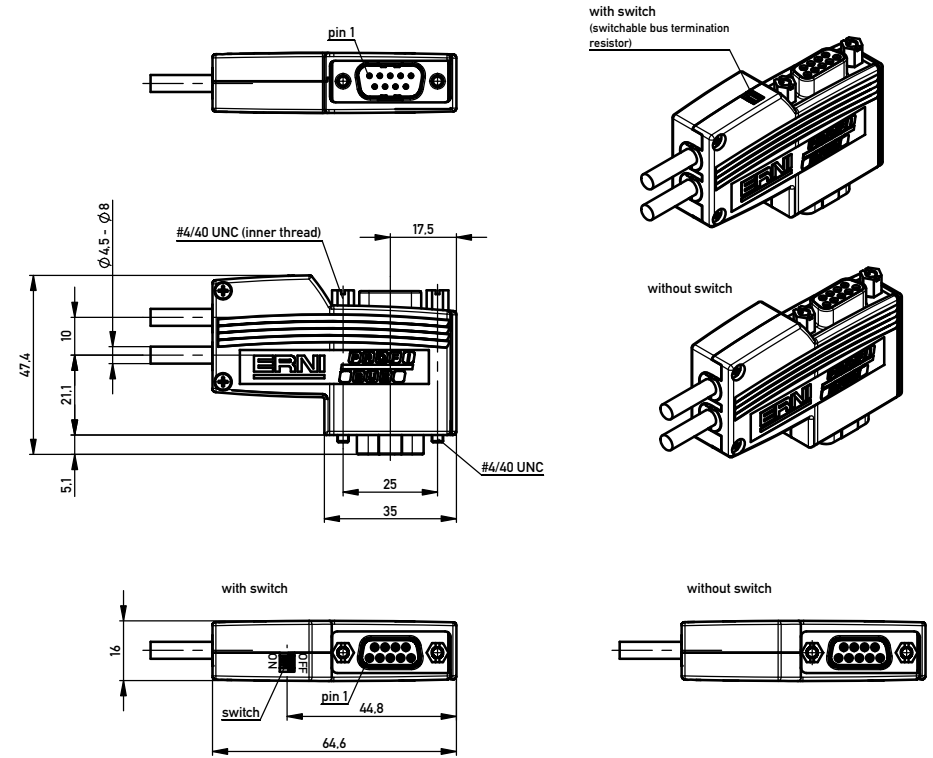


ERbic Profibus, horizontal



ERbic Profibus with PU interface, horizontal



104050	Switch	without	Screw clamp 4 pin	pebble grey	A- and B Line	#4-40 UNC
174048			Spring clamp 4 pin			
144037			IDC terminal 2x2 pin			
134728			Screw clamp 4 pin			
103648			Screw clamp 4 pin			
103649	Termination		Screw clamp 2 pin	yellow		
Part number	Type	Programming interface (PU)	Cable termination	Colour	Signals / Power supply	Fastening screw thread

366326	Switch	with	Screw clamp 4 pin	light grey	A- and B Line	#4-40 UNC
174049			Spring clamp 4 pin			
144536			IDC terminal 2x2 pin			
144475			Screw clamp 4 pin			
103663			Screw clamp 4 pin			
104329	Termination		Screw clamp 2 pin	yellow		
Part number	Type	Programming interface (PU)	Cable termination	Colour	Signals / Power supply	Fastening screw thread

- Notes:
1. Operating temperature: -20°C / +70°C
  2. Protection class: IP40
  3. Sealing plate: Drawing number 103356.

Information:	Tolerances	Scale 1:1
All rights reserved. Only for information. To ensure that this is the latest version of this drawing, please contact one of the ERNI companies before using.	Subject to modification without prior notice. Drawing will not be updated.	Designation <b>ERbic horizontal Profibus</b> <i>General plan</i>
www.ERNI.com	324261	I A2
Index	Date	Class ERBIC