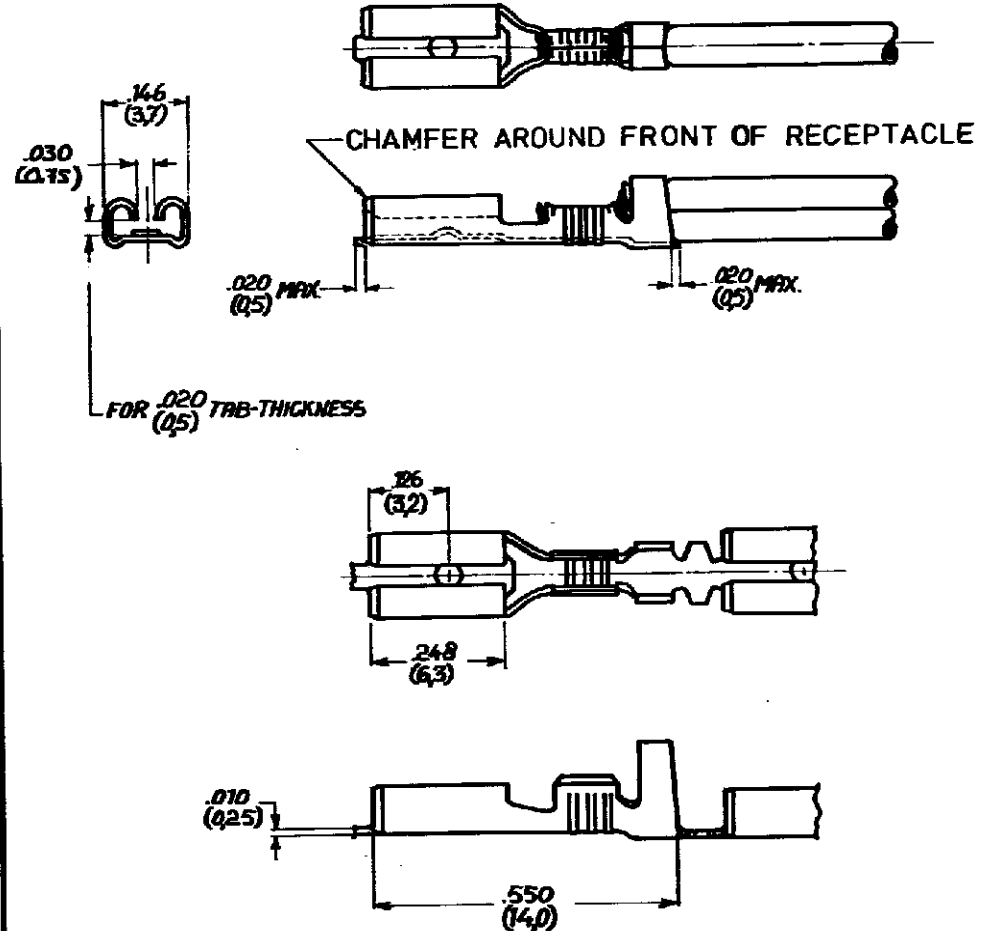


DRAWING MADE IN AMERICAN PROJECTION		LTR.	REVISION RECORD	DATE	DWN	APVD
		F2	REVISED PER ECR-14-002490	17NOV2014	NK	DC

NUMBER C-160533



1-160533-0	PHOS. BRONZE	1
160533-9	PHOSPHOR BRONZE	PRE-TIN
160533-5	PHOS. BRONZE	TIN
160533-4	PHOS. BRONZE	
160533-3	BRASS	SILVER
160533-2	BRASS	TIN
160533-1	BRASS	
ORDER NO.	MATERIAL	PLATING

⚠ BRIGHT PRE-TIN PLATED  
 ⚠ OBSOLETE PARTS: OBSOLETE CIS STREAMLINING PER D.RENAUD/D.SINISI

CUSTOMER COPY FOR REFERENCE ONLY



DIMENSIONS IN (IN) DO NOT SCALE PRINT

DATE	DATE	DATE
27-79		
DATE	DATE	DATE
30/1/84	2-2-84	

WIRE RANGE	REGUL. RANGE	FIRST USED
06-10	080-110 DIA	
SCALE	LOC	SIZE
4=1	H	A
NO	C-160533	
REV	F2	
NAME		
110 Ser FASTON RECEPTACLE		