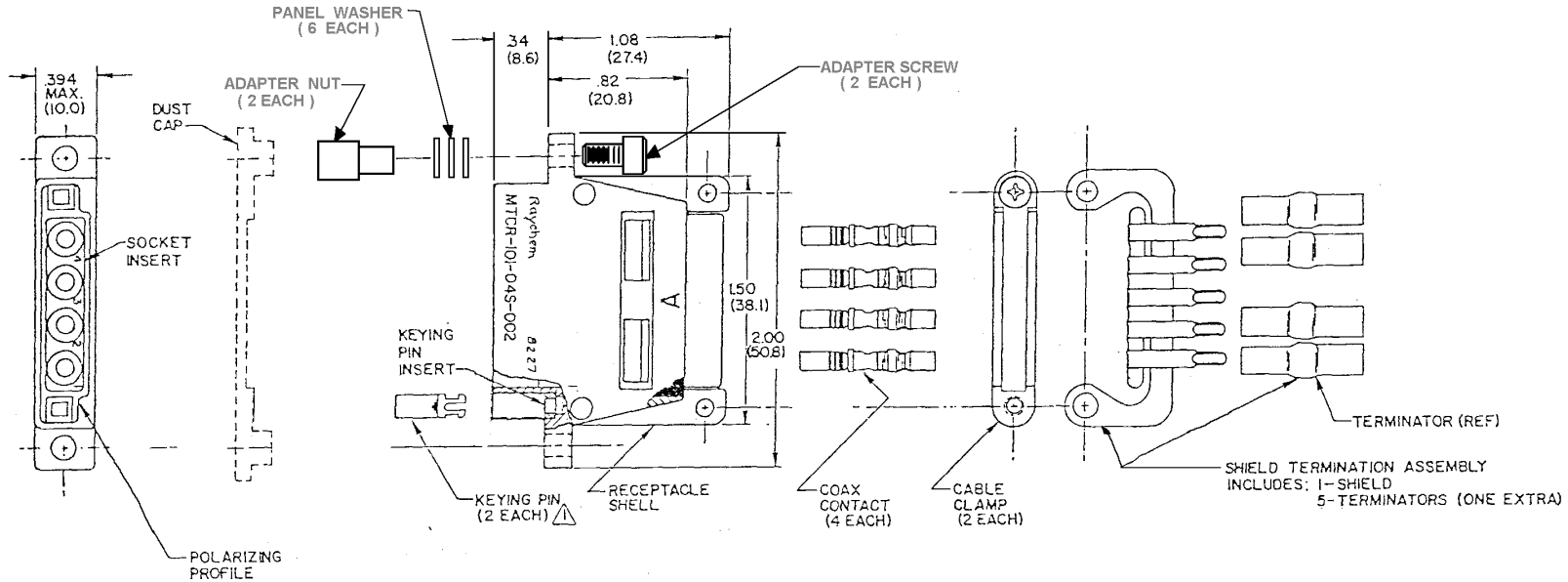


REVISIONS			
LTR	DESCRIPTION	DATE	APPROVED
C	REVISED PER ECN T-19630		



NOTES:

1. KEYING CODE DOES NOT FORM A PART OF RAYCHEM PART NUMBER SYSTEM AND SHOULD BE OMITTED WHEN ORDERING. KEYING PINS SUPPLIED UN-INSTALLED. SEE TABLE I FOR KEYING POSITIONS.
2. COMPLETE CONNECTORS AND ACCESSORIES ARE INDIVIDUALLY BAGGED AND LABELED.
3. CONNECTOR IS ENVIRONMENTAL SEALED MEETING THE REQUIREMENTS OF CONNECTOR SPECIFICATION D-6015.
4. REAR GROMMET INSERT WILL SEAL ON SMOOTH INSULATION FROM .097" TO .158" O.D.
5. CONNECTOR DESIGNED FOR USE WITH RAYCHEM CABLE 7528A5314. TERMINATE PER E.S. 61181.
6. INSERTS ARE PERMANENTLY INSTALLED.
7. ALL UNUSED CAVITIES TO BE SEALED USING SEALING PLUG NUMBER M83723-28-12.
8. ALL CONTACTS ARE INSERTED AND REMOVED USING TOOL NUMBER M83723-31-12.
9. CONNECTOR MATING REQUIREMENTS: 9 in.lbs. TORQUE FOR CAPTIVE LOCKING SCREWS.
10. TOLERANCES, UNLESS OTHERWISE SPECIFIED; .XXX = ±.005 (0.1)
.XX = ±.02 (0.5)

**TABLE I
KEYING CODE CHART**

AA		CA	
AB		CB	
AC		CC	
AD		CD	
BA		DA	
BB		DB	
BC		DC	
BD		DD	

SPECIFICATION CONTROL DRAWING © Raychem Corporation 1982

DRAWN	PIERCE	7-2-82	Raychem RAYCHEM CORPORATION 300 CONSTITUTION DRIVE MENLO PARK, CALIFORNIA 94025			
CHECKED						
APPROVED		7-7-82	TITLE CONNECTOR, RECEPTACLE SOCKET INSERT, MTCR TYPE WITH BUS AND SPECIAL CLAMP FOR USE WITH TRIAX CABLE			
APPROVED						
UNLESS OTHERWISE SPECIFIED DIMENSIONS ARE IN INCHES. METRIC DIMENSIONS ARE IN PARENTHESES			SIZE	CODE IDENT. NO.	DWG. NO.	
			C	06090	MTCR-101-04S-002	
DO NOT SCALE THIS DRAWING			CAD NAME	008141-1.PCX	WEIGHT	SHEET 1 OF 1

If this document is printed it becomes uncontrolled.
Check with the web for latest revision.