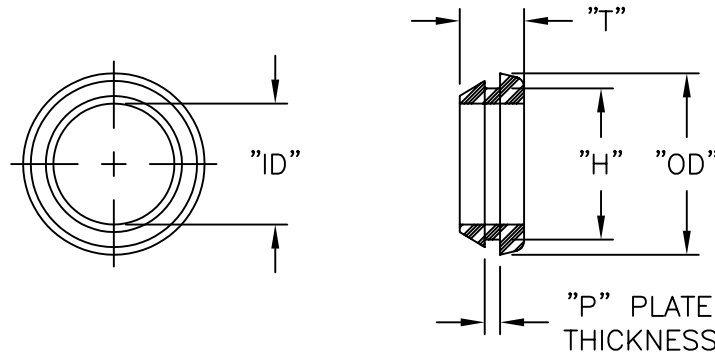

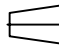



PART NO.			HOLE SIZE "H"	INSIDE DIAMETER "ID"	OUTSIDE DIAMETER "OD"
"T"=.32 (8.0) "P"=.06 (1.5)	"T"=.33 (8.5) "P"=.08 (2.0)	"T"=.37 (9.5) "P"=.12 (3.0)			
QFG-16200	QFG-16210	QFG-16220	.39 (10.0)	.24 (6.0)	.53 (13.5)
QFG-16201	QFG-16211	QFG-16221	.43 (11.0)	.28 (7.0)	.57 (14.5)
QFG-16202	QFG-16212	QFG-16222	.47 (12.0)	.32 (8.0)	.61 (15.5)
QFG-16203	QFG-16213	QFG-16223	.55 (14.0)	.39 (10.0)	.69 (17.5)
QFG-16204	QFG-16214	QFG-16224	.63 (16.0)	.47 (12.0)	.77 (19.5)
QFG-16205	QFG-16215	QFG-16225	.71 (18.0)	.55 (14.0)	.85 (21.5)
QFG-16207	QFG-16217	QFG-16227	.87 (22.0)	.71 (18.0)	1.00 (25.4)
QFG-16208	QFG-16218	QFG-16228	1.02 (26.0)	.87 (22.0)	1.16 (29.5)
QFG-16209	QFG-16219	QFG-16229	1.10 (28.0)	.94 (24.0)	1.24 (31.5)



NOTES:

1. MAT'L: PVC (RMS-25).
2. COLOR: BLACK.

B		CHANGED FILE NO. AND TITLE BLOCK	SM 08.27.02	TITLE: QUICK-FIT GROMMET		  DWG IN IN (MM)			
A		P/N QFG-16206, -16216, -16226 REMOVED	PB 11.04.94	TOLERANCES UNLESS NOTED .XX=±.010 .XXX=±.005 FRAC=±1/64 ANG=±1°	FILE # QFG	DWN: P.B.	APP:	FINAL	
REV		DESCRIPTION	ENGR DATE	MAT'L: SEE NOTES	RE: RICHCO, INC.	DT: 05-09-94	DT:	PART # SEE TABLE	PRINT TYPE CA
				RICHCO INC.		PO BOX 804238, CHICAGO, 60680			
						(773) 539-4060			