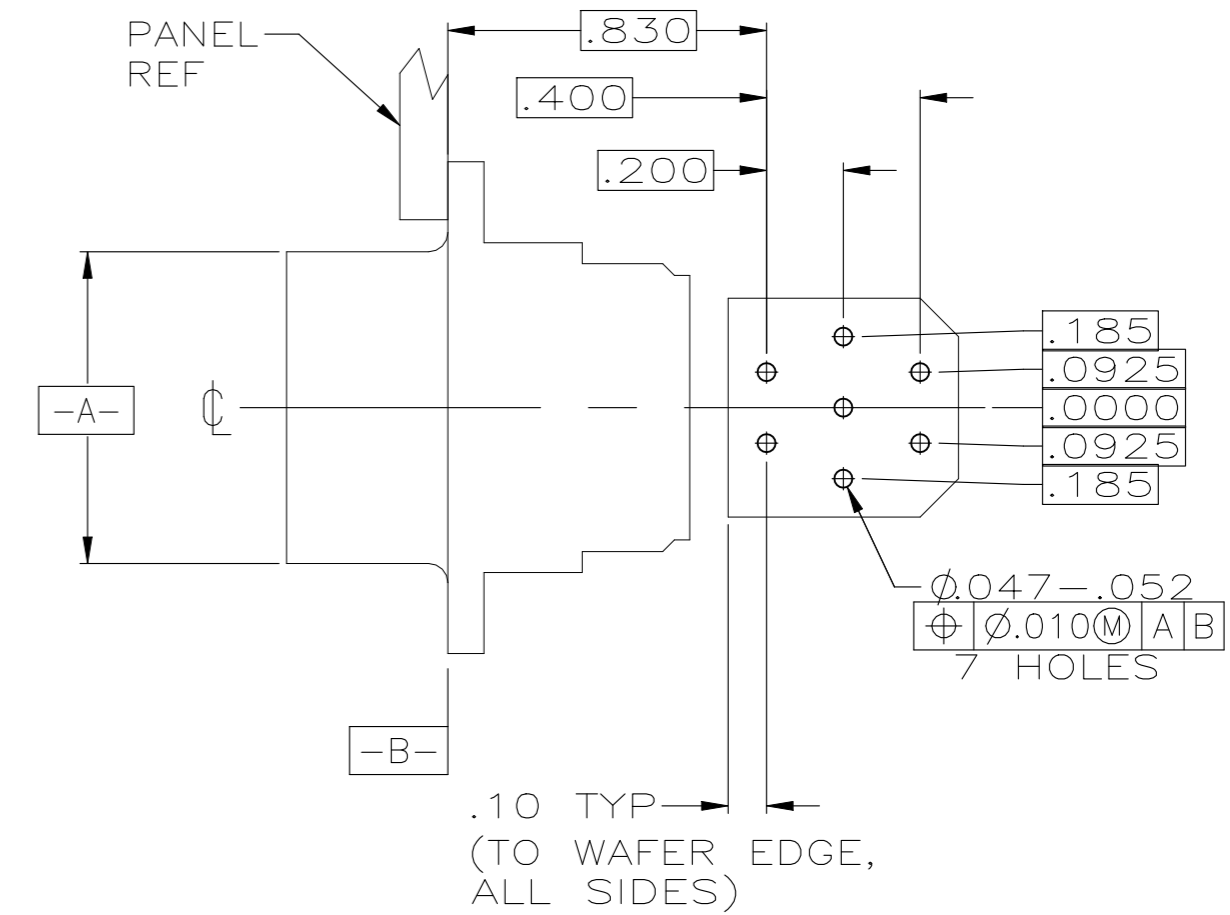
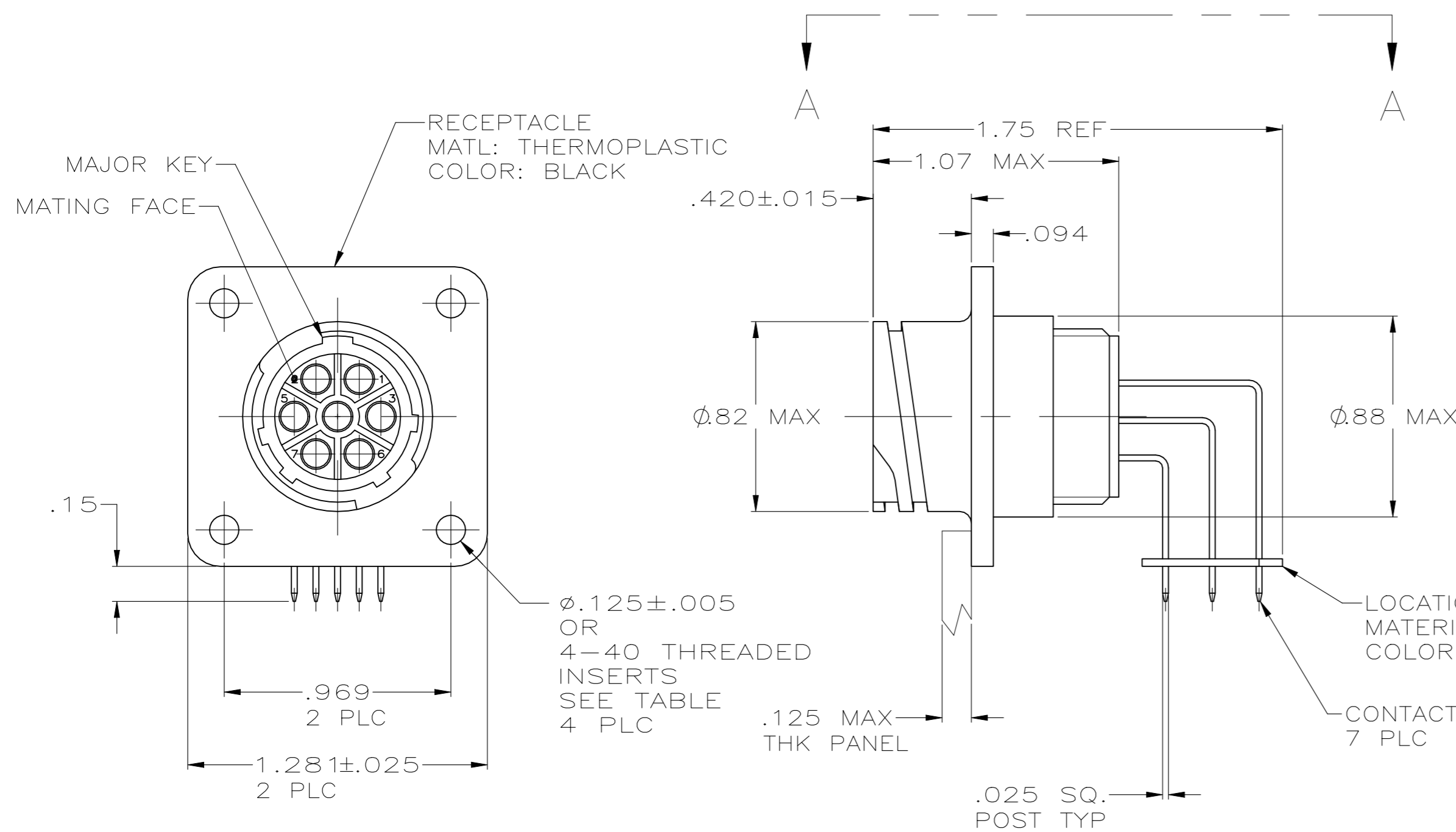
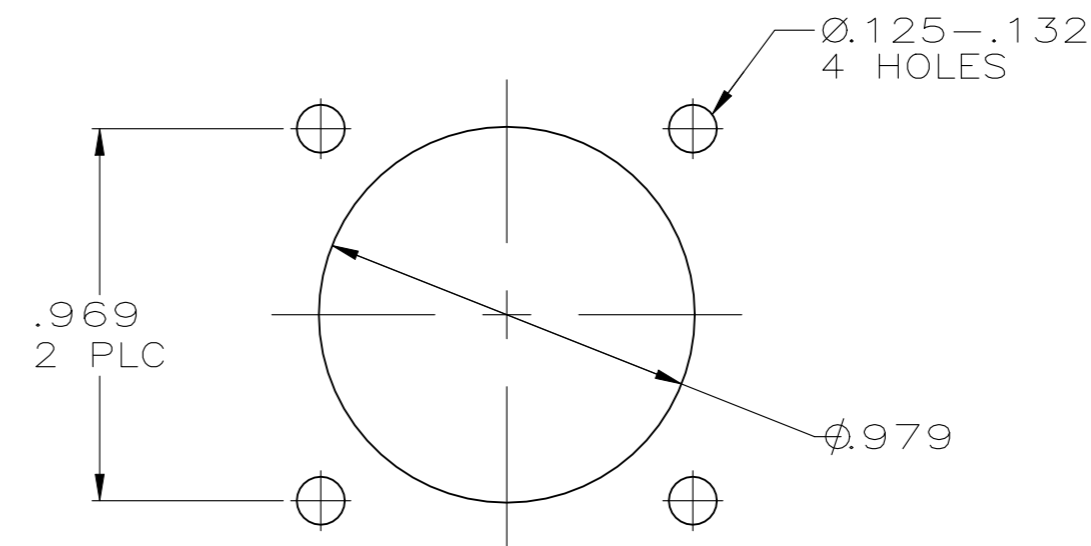


REVISIONS					
P	LTR	DESCRIPTION	DATE	DWN	APVD
C1		REVISED PER ECR-22-150475	26AUG2022	RK	MZ



VIEW A-A  $\Delta$   
RECOMMENDED BOARD LAYOUT



RECOMMENDED  
PANEL CUTOUT

- CONTACT CAVITIES IDENTIFIED BY CHARACTERS ON FRONT AND REAR FACES OF CONNECTOR.
- #4 FASTENER RECOMMENDED FOR MOUNTING.
- $\Delta$  CONTACT BODY: .000030 MIN GOLD FOR A LENGTH OF .200 MIN FROM MATING END, WITH REMAINDER TO BE GOLD FLASH, BOTH OVER .000050 MIN NICKEL.  
CONTACT POST: .000100 MIN TIN-LEAD OVER .000100 MIN COPPER.
- $\Delta$  PC BOARD HOLE PATTERN IS DEFINED RELATIVE TO CONNECTOR C.L. AND PANEL MOUNTING FACE INDICATED.
- $\Delta$  CONTACT BODY: .000030 MIN GOLD FOR A LENGTH OF .200 MIN FROM MATING END, WITH REMAINDER TO BE GOLD FLASH, BOTH OVER .000050 MIN NICKEL.  
CONTACT POST: .000100 MIN TIN OVER .000100 MIN COPPER.

	NO	$\Delta$ 5	1-796500-1
	YES	$\Delta$ 5	796500-2
OBSOLETE	NO	$\Delta$ 3	796500-1
	THREADED INSERT	CONTACT FINISH	PART NUMBER

THIS DRAWING IS A CONTROLLED DOCUMENT.		DWN	HAMNER	4-7-00		TE Connectivity																					
DIMENSIONS: INCHES		CHK	M.CHACKO	4-10-00		NAME																					
TOLERANCES UNLESS OTHERWISE SPECIFIED:		APVD	M.CHACKO	4-10-00		RECEPTACLE ASSY, POSTED, RT ANGLE, RVS SEX, SIZE 13-7, SERIES 1, CPC																					
<table border="1"> <tr><td>0 PLC</td><td>±</td><td>-</td></tr> <tr><td>1 PLC</td><td>±</td><td>-</td></tr> <tr><td>2 PLC</td><td>±</td><td>.03</td></tr> <tr><td>3 PLC</td><td>±</td><td>.010</td></tr> <tr><td>4 PLC</td><td>±</td><td>-</td></tr> <tr><td>ANGLES</td><td>±</td><td>-</td></tr> </table>		0 PLC	±	-		1 PLC	±	-	2 PLC	±	.03	3 PLC	±	.010	4 PLC	±	-	ANGLES	±	-	PRODUCT SPEC	-			SIZE	CAGE CODE	DRAWING NO
0 PLC	±	-																									
1 PLC	±	-																									
2 PLC	±	.03																									
3 PLC	±	.010																									
4 PLC	±	-																									
ANGLES	±	-																									
MATERIAL	-		FINISH	-		WEIGHT	-		SCALE	SHEET	REV																
CUSTOMER DRAWING						A2	00779	C=796500	1 of 1	C1																	