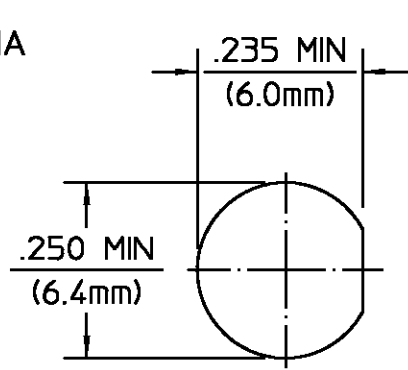


DESIGNED FOR USE WITH .141 DIA S/R CABLE	
CABLE ENTRY DIAMETER MINIMUM	
HOUSING	.144
CONTACT	.037

REVISIONS			
REV	DESCRIPTION	DATE	APPROVED
010	RELEASED	3/22/95	<i>D. Comello</i>



RECOMMENDED
MOUNTING HOLE

DESIGN CONTROL REQUIRED

ELECTRICAL	MECHANICAL	ENVIRONMENTAL
Nominal Impedance (Ohms) <u>50</u>	Interface Dimensions MIL-STD-348A, Fig. 310.2	Temperature Rating <u>-65°C to +105°C</u>
Frequency Range (GHz) DC to <u>18</u>	Recommended Mating	Vibration MIL-STD-202, Method 204, Condition D
Volt Rating (VRMS MAX) @ Sea Level <u>500</u>	Torque <u>7-10 In Lbs</u>	Shock MIL-STD-202, Method 213, Condition I
VSWR <u>1.05±.008f(GHz)</u>	Mating Characteristics:	Thermal Shock MIL-STD-202, Method 107, Condition B,
Insertion Loss (dB MAX) <u>.03 √f(GHz)</u>	Insertion (MAX Lbs) <u>3.0</u>	Except High Temp shall be +115°C
RF Leakage (dB MIN) <u>-[90-f(GHz)]</u>	Withdrawal (MIN Oz) <u>1.0</u>	Moisture Resistance MIL-STD-202, Method 106
Corona, 70,000 Ft (VRMS MIN) <u>375</u>	Force to Engage and Disengage (In-Lbs MAX) <u>2.0</u>	Corrosion - MIL-STD-202, Method 101, Condition B, 5% salt spray
Dielectric Withstanding Voltage (VRMS MIN) @ Sea Level <u>1500</u>	Center Contact Captivation	
Contact Resistance (Milliohms MAX)	Axial (Lbs) <u>N/A</u>	
Center Contact <u>3.0</u>	Radial (In-Oz) <u>N/A</u>	
Outer Contact <u>2.0</u>	Cable Retention	
Cable to Housing <u>0.5</u>	Axial Force (Lbs) <u>60 MIN</u>	
RF High Potential @ Sea Level (VRMS MIN @ 5 MHz) <u>1000</u>	Torque (In-Oz) <u>55 MIN</u>	
I.R.(Megohms MIN) <u>10000</u>	Weight (Oz) <u>.12</u>	

COMPONENT	MATERIAL	FINISH
HOUSING MOUNTING NUT LOCKWASHER	STAINLESS STEEL PER ASTM-A484 AND ASTM- A582, TYPE 303	GOLD PLATE PER MIL-G-45204
DIELECTRIC	TFE FLUOROCARBON PER ASTM-D-1457	N/A
CENTER CONTACT	BERYLLIUM COPPER PER ASTM B 196, ALLOY C17300, CONDITION H	GOLD PLATE PER MIL-G-45204
'O' - RING	SILICONE RUBBER PER ZZ-R-765	N/A

UNLESS OTHERWISE SPECIFIED DIMENSIONS ARE IN INCHES TOLERANCE ON FRAC. DEC. ANGLES ± 1/64 ±.005 ± °	DRAWN BY <i>D. Comello</i> DATE 3/22/95	AMP Incorporated 140 Fourth Avenue Waltham, MA 02451-7599	
	CHECKED BY		
These drawings and specifications are the property of M/A-COM Incorporated and shall not be reproduced or copied or used in whole or in part as the basis for the manufacture or sale of item(s) without written permission.	APPD BY <i>D. Comello</i> 3/22/95	AMP	
	USE ASS'Y PROCEDURE	TITLE OSM BULKHEAD FEEDTHROUGH CABLE JACK - DIRECT SOLDER ATTACHMENT	
	408-04768 NO. AP. (20-013)	SIZE B	CODE IDENT NO. 26805
	SCALE 4:1		REV 010
			SHEET 1 OF 1

CUSTOMER DRAWING

AMP PART # 1046236-1
SHEET 1 OF 1 REV A