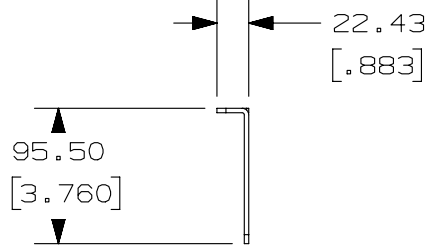


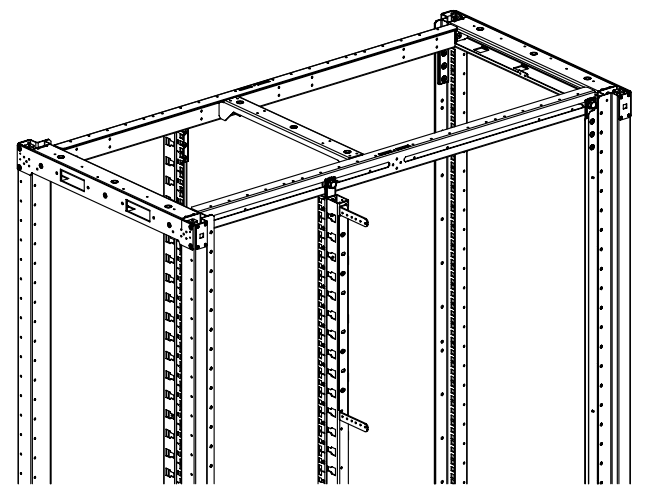
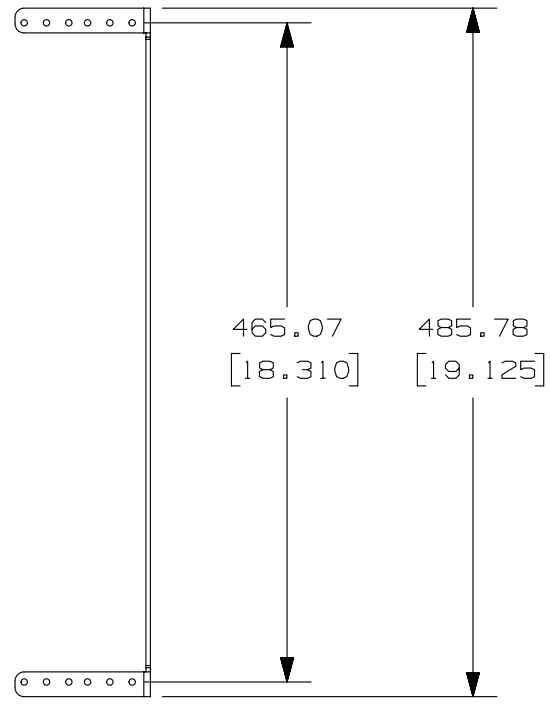
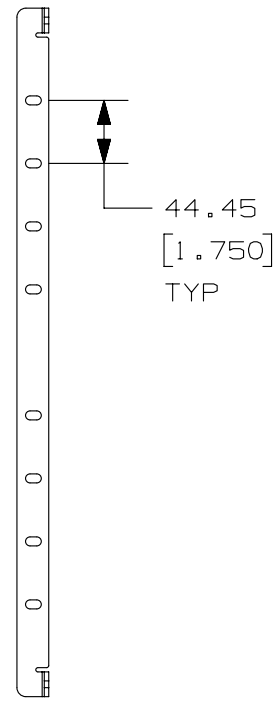
2

1

THIS COPY IS PROVIDED ON A RESTRICTED BASIS AND IS NOT TO BE USED IN ANY WAY DETRIMENTAL TO THE INTERESTS OF PANDUIT CORP.



- PANDUIT PART NUMBER: SN8VPPB
- PRIMARY DIMENSIONS ARE IN MILLIMETERS (mm).
- PARTS SUPPLIED:
 (1)-VERTICAL PATCH BRACKET
 (1)-HARDWARE KIT
 (4) M5 X 0.8mm SCREWS
 (1)-INSTRUCTION SHEET
- ALLOWS ZERO RU VERTICAL MOUNTING OF 1 RU EIA 19" COPPER AND FIBER PATCH PANELS IN 800mm WIDE S-TYPE CABINETS.
- MOUNTS TO SIDE OF EQUIPMENT RAIL.



B

B

←

→

A

A

TITLE		VERTICAL PATCH BRACKET (SN8VPPB) FOR 800mm WIDE S-TYPE AND N-TYPE CABINETS CUSTOMER DRAWING		
CUSTOMER DRAWING				
ITEM REVISION NAME		13V379SA/00		
DATASET FILE NAME		13V379SA_DC/00A		
UNLESS OTHERWISE SPECIFIED, DIMENSIONAL TOLERANCES ARE: IN (mm)		MATERIAL: SEE NOTES		
DRAWING NUMBER:		13V379SA-DC		
DRAWN BY: RAMA		DATE: 6/6/13	CHK: JDWE	SCALE: NONE
THIRD ANGLE PROJECTION				
SHT 1 OF 1		SIZE: A		

00A	6/6/13	RAMA	JDWE		DRAWING RELEASED	13V379SA-DC
REV	DATE	BY	CHK	APR	DESCRIPTION	ECN

2

1