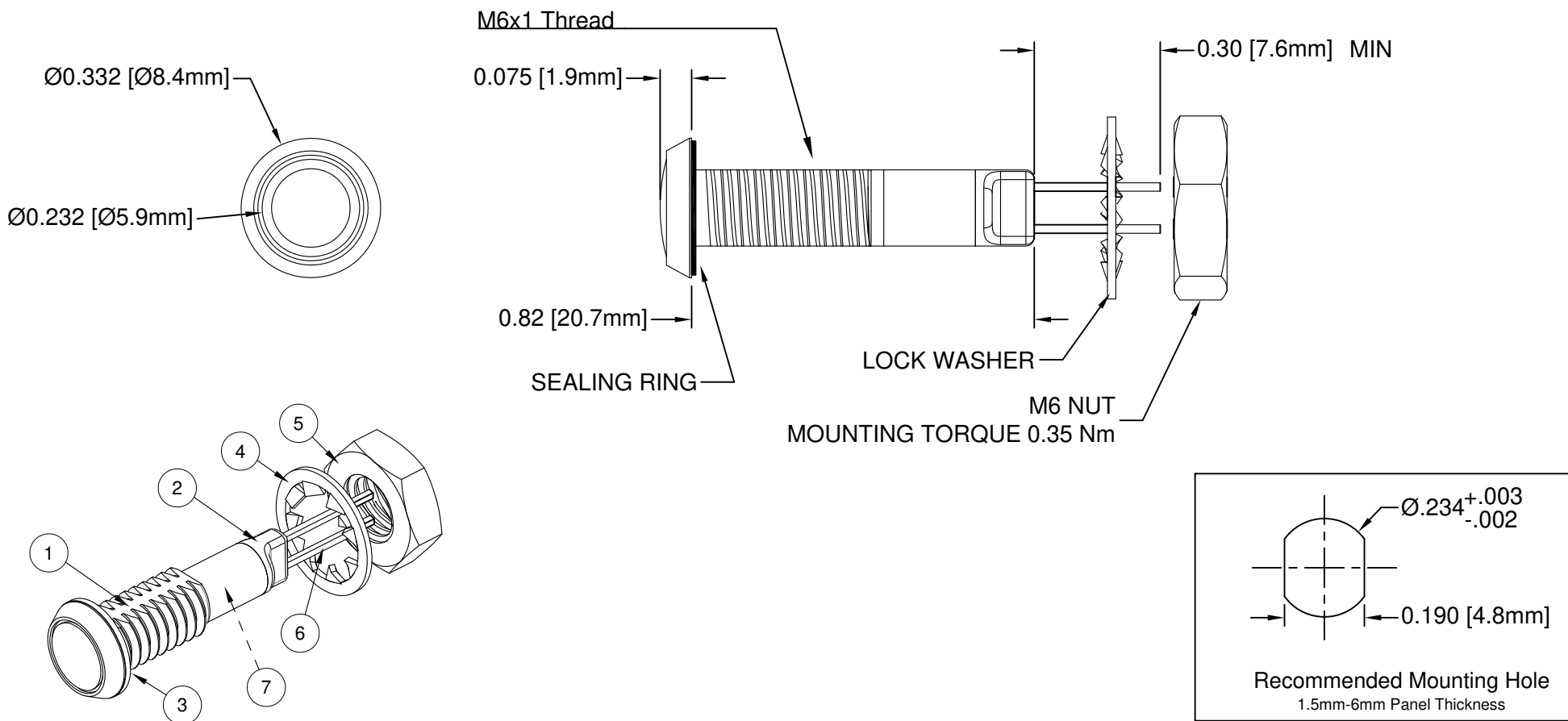



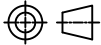
ITEM	Q'TY	PART NUMBER	PART DESCRIPTION
1	1	PM3-PE	3mm Polycarbonate Panel Mount Housing
2	1	PM3-HP	3mm Panel Mount Wide Range Plug
3	1	PM3-VS	3mm Sealing Ring
4	1	WASH-1009	M6 Internal Tooth Lock Washer
5	1	NUT-1004	M6x1 Thin Nut
6	1	3XX-S	3mm LED, SEE SHEET #2
7	1	PCBA-1081	8~48V Universal Power Board

REV.	DESCRIPTION	DATE	APPROVED
A	Engineering Release	04/12/12	T. Y.
B	Updated Descriptions	03/21/13	T. Y.
C	Updated LED Optical Characteristics	09/15/15	J. C.



NOTES:

1. SEALED TO IP67 RATING
2. WIDE RANGE VOLTAGE INPUT, 8-48 VAC/VDC
3. BIPOLAR OPERATION
4. ROHS COMPLIANT
5. MOUNTING HARDWARE SHIPPED NON-ASSEMBLED
6. INSERT SEALING RING ON PANEL MOUNT PRIOR TO PANEL INSERTION

STANDARD TOLERANCE (UNLESS OTHERWISE SPECIFIED)		 BIVAR [®] 4 THOMAS, IRVINE, CA. 92618 TEL: (949) 951-8808 FAX: (949) 951-3974	
DECIMALS	ANGULAR		
.X ± .1	X° ± 1°		TITLE: IP67 Rated Panel Mount Indicator
.XX ± .02			
.XXX ± .010		DESIGNED: T. Yin	DATE: 04/12/12
CHECKED: B. Oliver		DATE: 04/12/12	PART NO: PM3-PXXX
		REVISION: C	
		CAGE CODE : 32559	
		SHEET # 1 OF 2	
CAD GENERATED DOCUMENT. DO NOT MEASURE DRAWING.			


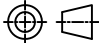
REV.	DESCRIPTION	DATE	APPROVED
	SEE SHEET #1		

Assembly Part Number	LED Part Number	Peak Wave Length λ_p (nm)	Emitted Color	Lens Appearance	Electro-Optical Data @ 20mA		Viewing Angle
					Typ Vf (VAC/VDC)	LED Iv (mcd)	
					TYP	TYP	
PM3-PAD	3SAD-S	610	AMBER	WHITE DIFFUSED	8-48	100	120
PM3-PBWD	3BWD0.245-S	470	BLUE	WHITE DIFFUSED	8-48	200	120
PM3-PGD	3SGD-S	568	GREEN	WHITE DIFFUSED	8-48	30	120
PM3-PHD	3HD-S	625	HE RED	WHITE DIFFUSED	8-48	30	120
PM3-PPGD	3SPGD-S	555	PURE GREEN	WHITE DIFFUSED	8-48	20	120
PM3-PRD	3SRD-S	645	RED	WHITE DIFFUSED	8-48	40	120
PM3-PYD	3SYD-S	585	YELLOW	WHITE DIFFUSED	8-48	30	120

Assembly Part Number	LED Part Number	Color Temperature	Emitted Color	Lens Appearance	Electro-Optical Data @ 20mA		Viewing Angle
					Typ Vf (VAC/VDC)	LED Iv (mcd)	
					TYP	TYP	
PM3-PWD	3UWD2.555N	5000K	NEUTRAL WHITE	WHITE DIFFUSED	8-48	3300	120

ABSOLUTE MAXIMUM RATINGS (Ta = 25°C)

MAXIMUM POWER DISSIPATION _____ 400 mW
 OPERATING TEMPERATURE RANGE _____ -30°C ~ 85°C
 STORAGE TEMPERATURE _____ -40°C ~ 85°C

STANDARD TOLERANCE (UNLESS OTHERWISE SPECIFIED)		 4 THOMAS, IRVINE, CA. 92618 TEL: (949) 951-8808 FAX: (949) 951-3974	
DECIMALS	ANGULAR		
		TITLE: IP67 Rated Panel Mount Indicator	
		DESIGNED: T. Yin	DATE: 04/12/12
CHECKED: B. Oliver		DATE: 04/12/12	CAGE CODE : 32559 SHEET # 2 OF 2
CAD GENERATED DOCUMENT. DO NOT MEASURE DRAWING.			