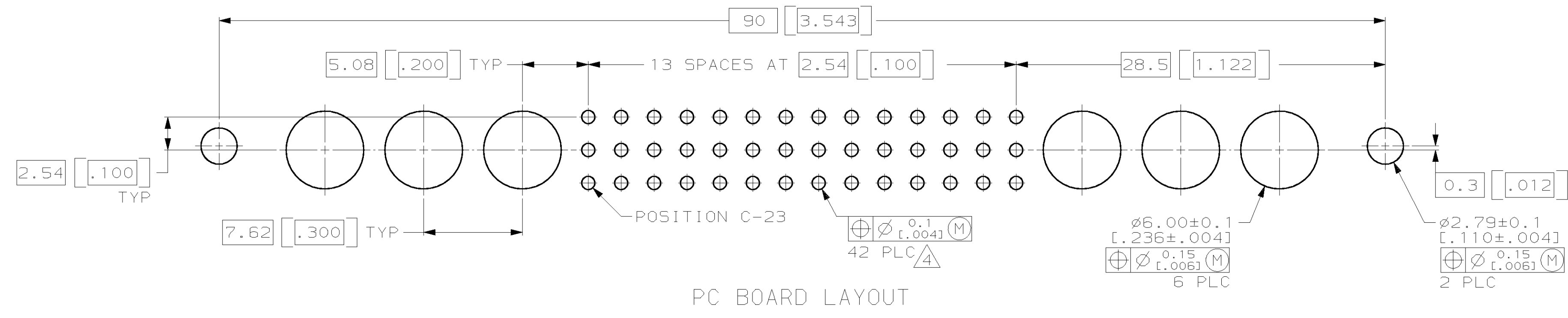
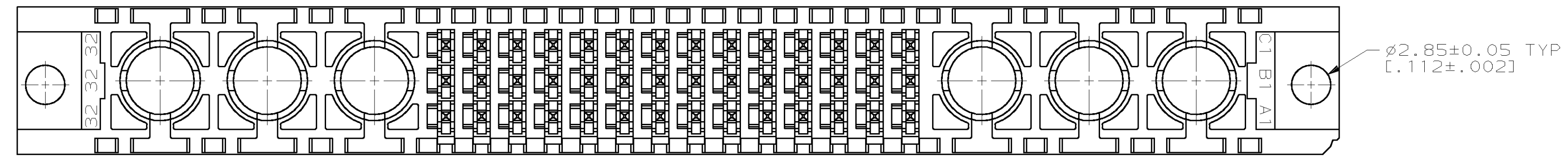
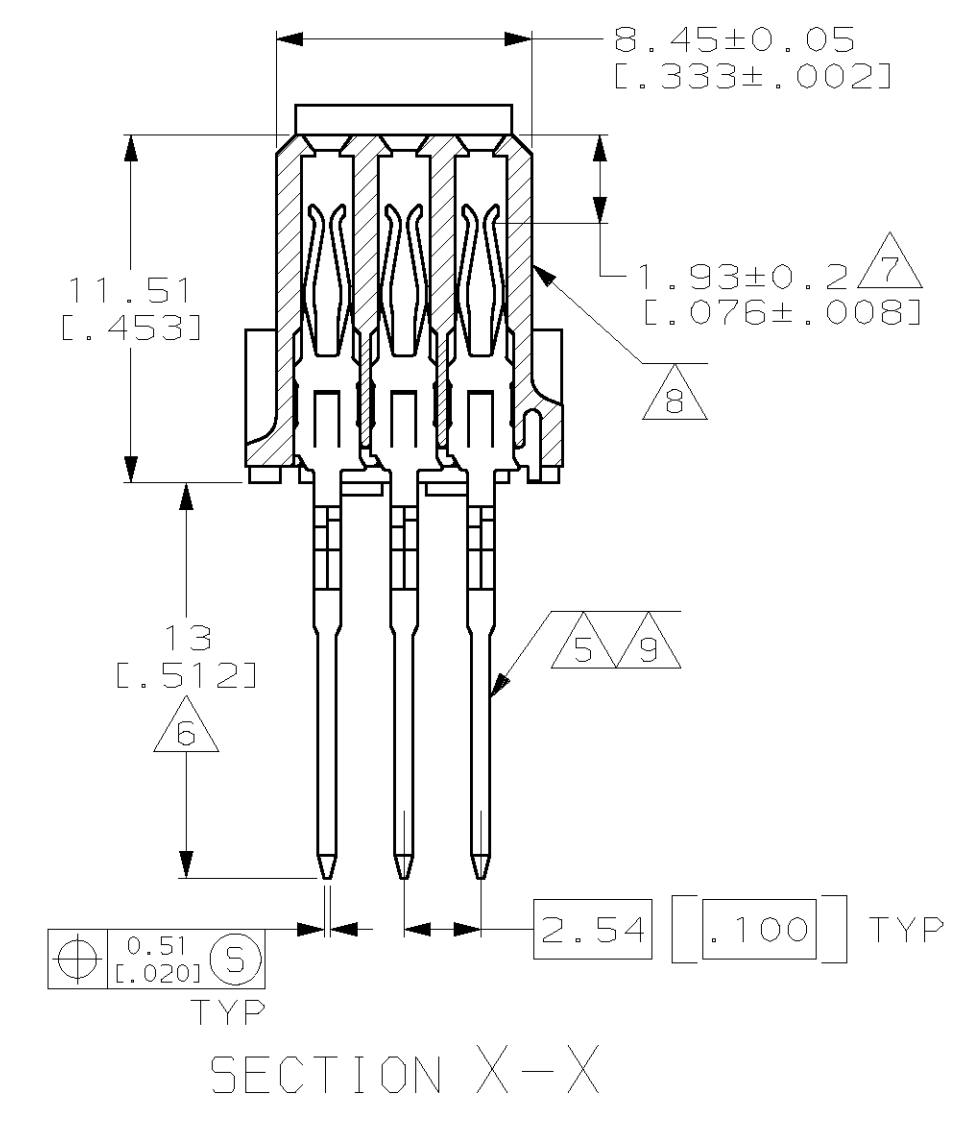
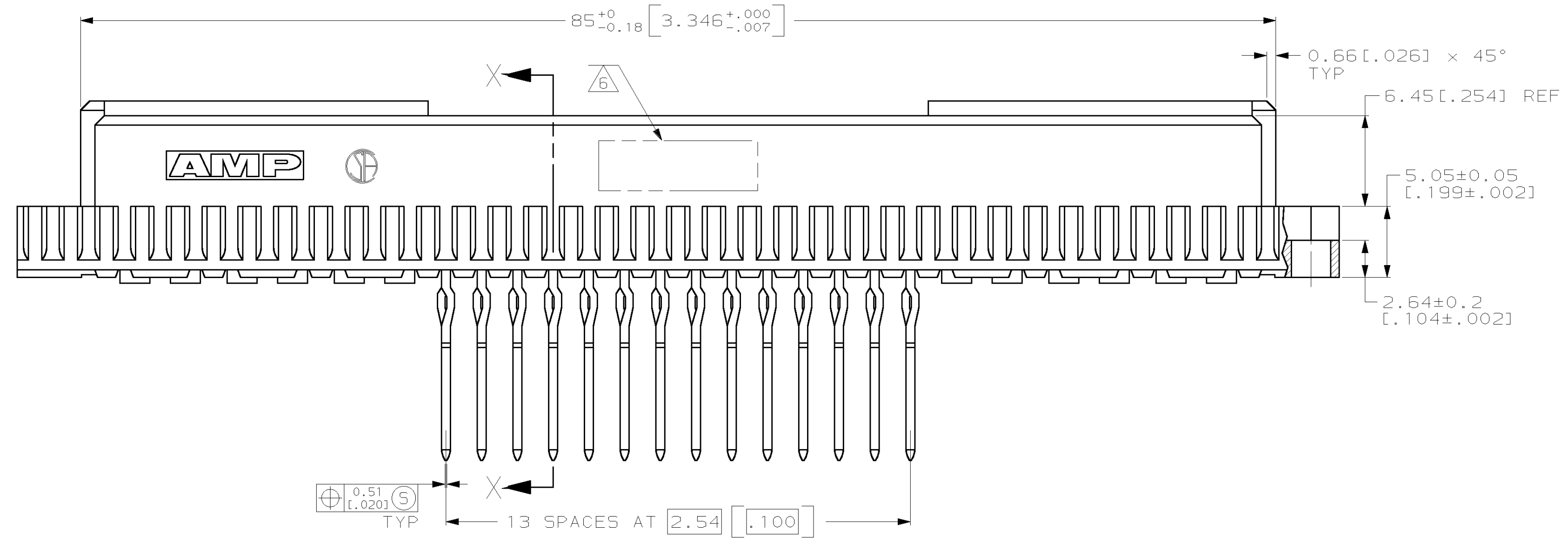
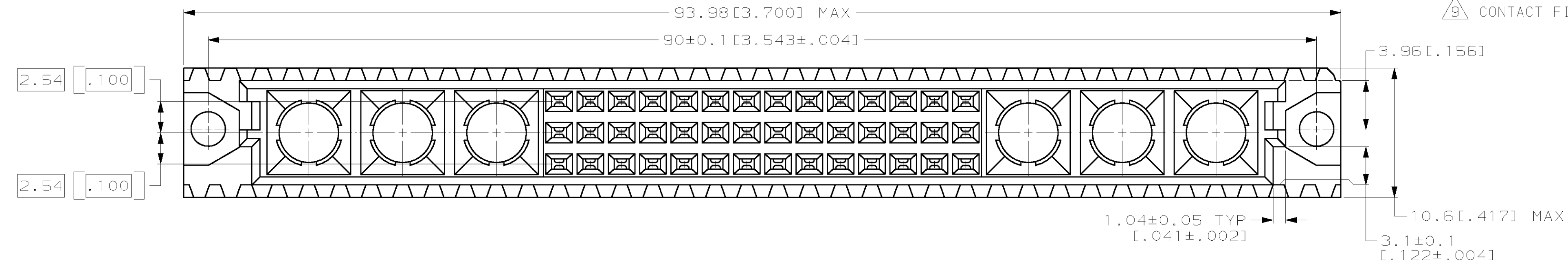


REV. NO.		REVISIONS			
LOC	DIST	DATE	BY	CHKD	APPROV
	25				
	0	DRAWN			
	A	REV PER EC 0621-80-99	05 APR 99	BC	CR

- ① HOUSING MATERIAL: GLASS-FILLED POLYESTER. COLOR: GRAY.
- ② CONTACT MATERIAL: PHOSPHOR BRONZE.
- ③ PART NUMBER AND DATE CODE HOT STAMPED IN THIS APPROXIMATE AREA.
- ④ ACTION PIN POSTS REQUIRE 1.57 [.062] MINIMUM THICK PC BOARD. RECOMMENDED PC BOARD DRILLED HOLES ARE $\phi 1.151 \pm 0.025$ [.0453 \pm .0010] WITH 0.02-0.08 [.001-.003] COPPER AND 0.008 [.0003] MINIMUM TIN-LEAD PLATING. FINISHED HOLES AFTER PLATING $\phi 1.02 \pm 0.08$ [.040 \pm .002].
- ⑤ CONTACT FINISH: DIN 41612 CLASS 2 IN CONTACT AREA. TIN-LEAD PLATE ON POSTS.
- ⑥ TAIL LENGTH AFTER SEATED IN PC BOARD.
- ⑦ CONTACT POINT AFTER SEATED IN PC BOARD.
- ⑧ HOT STAMPING ON THIS SIDE.
- ⑨ CONTACT FINISH: DIN 41612 CLASS 2 IN CONTACT AREA AND LAST 5.08 [.200] OF POST.



⑨	1-148424-5
⑤	148424-5
	PART NUMBER

THIS DRAWING IS A CONTROLLED DOCUMENT.		DWN L. BRINER 10/1/97	AMP Incorporated Harrisburg, PA 17105-3608	
DIMENSIONS:		CHK R. PATTERSON 10/1/97	NAME RECEPTACLE ASSEMBLY, EUROCARD, TYPE M, 42 + 6 POSITION	
TOLERANCES UNLESS OTHERWISE SPECIFIED:		APPROV R. PATTERSON 10/1/97	SIZE A1	
0 PLC \pm		PRODUCT SPEC	CAGE CODE 00779	
1 PLC \pm		APPLICATION SPEC	DRAWING NO 148424	
2 PLC ± 0.13 (.005)		WEIGHT	RESTRICTED TO	
3 PLC \pm		CUSTOMER DRAWING	SCALE 4:1 SHEET 1 OF 1 REV A	
4 PLC \pm				
ANGLES				
MATERIAL				
HOUSING: ①				
POST: ②				