

SAC-4P-M12MS/ 5,0-680 FDP - Sensor/actuator cable



1096015

<https://www.phoenixcontact.com/us/products/1096015>

Please be informed that the data shown in this PDF document is generated from our online catalog. Please find the complete data in the user documentation. Our general terms of use for downloads are valid.



Sensor/actuator cable, 4-position, shielded, Plug straight M12, coding: A, on free cable end, cable length: 5 m, Foil shielding plus drain wire

Commercial data

| | |
|--------------------------------------|--------------------------------|
| Item number | 1096015 |
| Packing unit | 1 pc |
| Note | Made to order (non-returnable) |
| Sales key | BF13 |
| Product key | BF1IEB |
| GTIN | 4055626929668 |
| Weight per piece (including packing) | 22.22 g |
| Weight per piece (excluding packing) | 22.22 g |
| Country of origin | US |

1096015

<https://www.phoenixcontact.com/us/products/1096015>

Technical data

Product properties

| | |
|----------------------|-----------------------|
| Product type | Sensor/actuator cable |
| Number of positions | 4 |
| Application | Standard, U.S. cables |
| No. of cable outlets | 1 |
| Shielded | yes |
| Coding | A |

Insulation characteristics

| | |
|----------------------|----|
| Overvoltage category | II |
| Degree of pollution | 3 |

Material specifications

| | |
|--|---|
| Flammability rating according to UL 94 | HB |
| Material of grip body | TPU, hardly inflammable, self-extinguishing |
| Contact material | CuSn |
| Contact surface material | Ni/Au |
| Contact carrier material | TPU GF |
| Material for screw connection | Zinc die-cast, nickel-plated |

Electrical properties

| | |
|-----------------------|---------------------------|
| Contact resistance | $\leq 5 \text{ m}\Omega$ |
| Insulation resistance | $\geq 10 \text{ M}\Omega$ |
| Nominal voltage U_N | 250 V AC |
| | 250 V DC |
| Nominal current I_N | 4 A |
| Protective circuit | unwired |

Mechanical properties

Mechanical data

| | |
|-----------------------------|------------|
| Insertion/withdrawal cycles | ≥ 100 |
|-----------------------------|------------|

Signaling

| | |
|------------------------|----|
| Status display | No |
| Status display present | No |

Connection data

Conductor connection

| | |
|-------------------|------------------------|
| Tightening torque | 0.4 Nm (M12 connector) |
|-------------------|------------------------|

Connector

SAC-4P-M12MS/ 5,0-680 FDP - Sensor/actuator cable



1096015

<https://www.phoenixcontact.com/us/products/1096015>

Connection 1

| | |
|-------------|-------------------|
| Type | Plug straight M12 |
| Coding type | A |

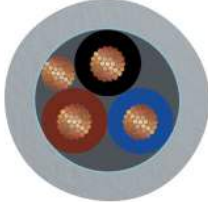
Connection 2

| | |
|------|----------------|
| Type | free cable end |
|------|----------------|

Cable/line

| | |
|--------------|-----|
| Cable length | 5 m |
|--------------|-----|

PVC, gray, 105°C [680]

| | |
|---|---|
| Dimensional drawing |  |
| Cable weight | 35.4 kg/km |
| UL AWM Style | 2517 (105 °C / 300 V) |
| Number of positions | 3 |
| Shielded | yes |
| Cable type | PVC, gray, 105°C [680] |
| AWG signal line | 22 |
| Wire diameter incl. insulation | 1.27 mm ±0.03 mm |
| External cable diameter | 4.75 mm ±0.2 mm |
| Outer sheath, material | PVC |
| External sheath, color | gray |
| Conductor material | Tin-plated Cu litz wires |
| Material wire insulation | PVC (Signal line) |
| Single wire, color | brown, blue, black |
| Type of pair shielding | Plastic-coated aluminum foil, aluminum side inside |
| Overall twist | Conductors, fillers, and drain wire are twisted with left-hand lay |
| Max. conductor resistance | max. 51.1 Ω/km (20 °C) |
| Insulation resistance | ≥ (550 M Ohms/m @ 500V) |
| Nominal voltage, cable | 300 V |
| Minimum bending radius, flexible installation | 8 x D |
| Flame resistance | FT4 |
| Other resistance | UV resistant |
| Special properties | UL standards PLTC and ITC |
| Ambient temperature (operation) | -30 °C ... 105 °C (cable, fixed installation) |

Environmental and real-life conditions

SAC-4P-M12MS/ 5,0-680 FDP - Sensor/actuator cable



1096015

<https://www.phoenixcontact.com/us/products/1096015>

Ambient conditions

| | |
|---------------------------------|--|
| Degree of protection | IP65 |
| | IP67 |
| | IP68 |
| Ambient temperature (operation) | -25 °C ... 90 °C (Plug / socket) |
| | -40 °C ... 80 °C (cable, fixed installation) |
| | -5 °C ... 80 °C (Cable, flexible installation) |

Standards and regulations

| | |
|--------------------------|-----------------|
| Standard designation | M12 connector |
| Standards/specifications | IEC 61076-2-101 |

SAC-4P-M12MS/ 5,0-680 FDP - Sensor/actuator cable

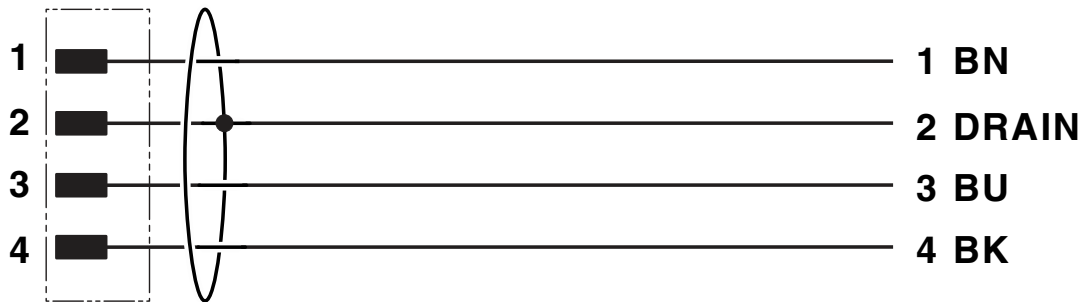


1096015

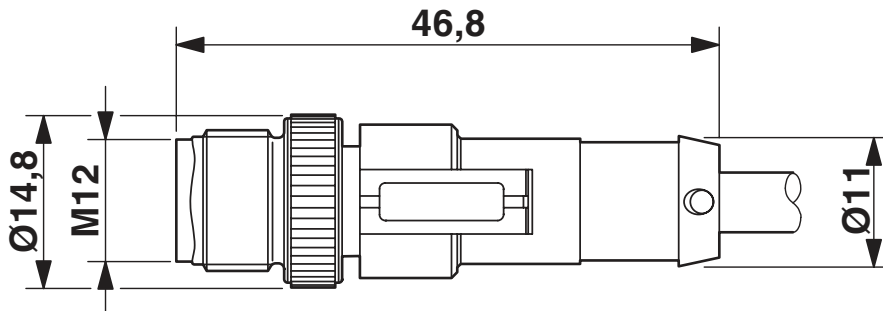
<https://www.phoenixcontact.com/us/products/1096015>

Drawings

Circuit diagram



Dimensional drawing

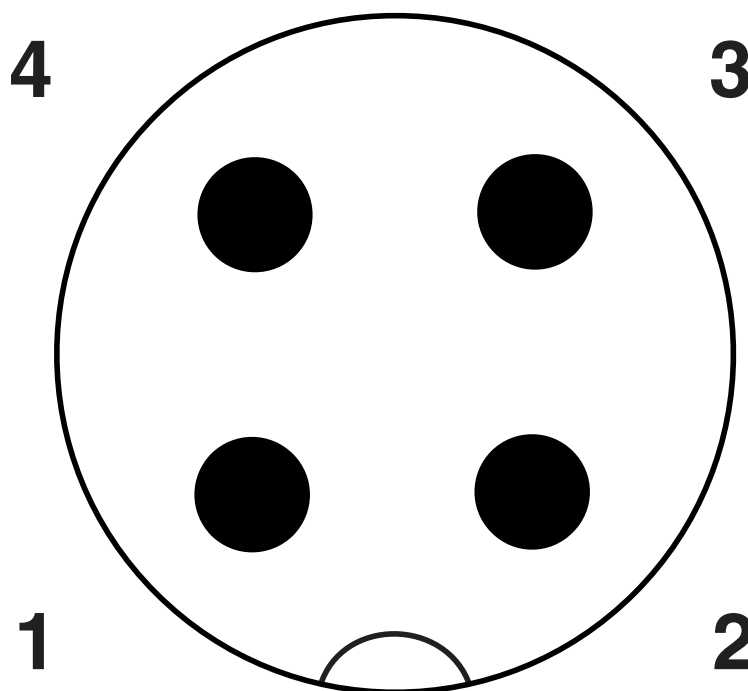


Plug, M12 x 1, straight, shielded

1096015

<https://www.phoenixcontact.com/us/products/1096015>

Schematic diagram



Pin assignment M12 plug, 4-pos., A-coded, view plug side

SAC-4P-M12MS/ 5,0-680 FDP - Sensor/actuator cable





1096015

<https://www.phoenixcontact.com/us/products/1096015>

Approvals

To download certificates, visit the product detail page: <https://www.phoenixcontact.com/us/products/1096015>

|  UL Listed Approval ID: FILE E 221474 | | | | |
|--|-----------------------|-----------------------|-------------------|-----------------------------|
| | Nominal voltage U_N | Nominal current I_N | Cross section AWG | Cross section mm^2 |
| | 300 V | 4 A | - | - |

|  cUL Listed Approval ID: FILE E 221474 | | | | |
|---|-----------------------|-----------------------|-------------------|-----------------------------|
| | Nominal voltage U_N | Nominal current I_N | Cross section AWG | Cross section mm^2 |
| | 300 V | 4 A | - | - |

| cULus Listed | | | | |
|---------------------|--|--|--|--|
|---------------------|--|--|--|--|

SAC-4P-M12MS/ 5,0-680 FDP - Sensor/actuator cable



1096015

<https://www.phoenixcontact.com/us/products/1096015>

Classifications

ECLASS

| | |
|-------------|----------|
| ECLASS-11.0 | 27060311 |
| ECLASS-12.0 | 27060311 |
| ECLASS-13.0 | 27060311 |

ETIM

| | |
|----------|----------|
| ETIM 8.0 | EC001855 |
|----------|----------|

UNSPSC

| | |
|-------------|----------|
| UNSPSC 21.0 | 31251501 |
|-------------|----------|

SAC-4P-M12MS/ 5,0-680 FDP - Sensor/actuator cable



1096015

<https://www.phoenixcontact.com/us/products/1096015>

Accessories

PROT-M12 FS-PA-CHAIN - Sealing cap

1430873

<https://www.phoenixcontact.com/us/products/1430873>

M12 sealing cap made of plastic with fixing band, for sensor cables, for free M12 plugs



SAC-M12-EXCLIP-M - Locking clip

1558988

<https://www.phoenixcontact.com/us/products/1558988>

Locking clip for the pin side of sensor/actuator cables with M12 connector and M12 connectors for assembly, for knurl diameter: 15 mm or for Allen key with a wrench size of 14 mm, prevents the disconnection of plug-in connections without tools



SAC-4P-M12MS/ 5,0-680 FDP - Sensor/actuator cable



1096015

<https://www.phoenixcontact.com/us/products/1096015>

PROT-M12 MS-PA-CHAIN - Screw plug

1430899

<https://www.phoenixcontact.com/us/products/1430899>

M12 sealing cap with fixing band, for sensor cables, for free M12 sockets



SAC-M12-EXCLIP-F - Locking clip

1558991

<https://www.phoenixcontact.com/us/products/1558991>

Locking clip for the socket side of sensor/actuator cables with M12 connector and M12 connectors for assembly, for knurl diameter: 15 mm or for Allen key with a wrench size of 14 mm, prevents the disconnection of plug-in connections without tools



SAC-4P-M12MS/ 5,0-680 FDP - Sensor/actuator cable



1096015

<https://www.phoenixcontact.com/us/products/1096015>

TSD 04 SAC - Torque screwdriver

1208429

<https://www.phoenixcontact.com/us/products/1208429>



Torque screwdriver, with preset torque of 0.4 Nm and 4 mm hexagonal drive for M12 connectors

TSD-M 1,2NM - Torque screwdriver

1212224

<https://www.phoenixcontact.com/us/products/1212224>



Torque screw driver, accuracy as per EN ISO 6789 standard, adjustable from 0.3 - 1.2 Nm

SAC-4P-M12MS/ 5,0-680 FDP - Sensor/actuator cable



1096015

<https://www.phoenixcontact.com/us/products/1096015>

TSD-M SAC-BIT ADAPTER - Adapter insert

1212600

<https://www.phoenixcontact.com/us/products/1212600>



Adapter bit for TSD-M...torque tools, E6.3-1/4" drive with 4 mm hexagon to accommodate SAC bits

SAC BIT M12-D15 - Tool

1208432

<https://www.phoenixcontact.com/us/products/1208432>



Nut for assembling sensor/actuator cables with M12 connector and M12 connectors for assembly, with a knurl diameter of 15 mm, for 4 mm hexagonal drive

Phoenix Contact 2023 © - all rights reserved
<https://www.phoenixcontact.com>

Phoenix Contact USA
586 Fulling Mill Road
Middletown, PA 17057, United States
(+717) 944-1300
info@phoenixcon.com