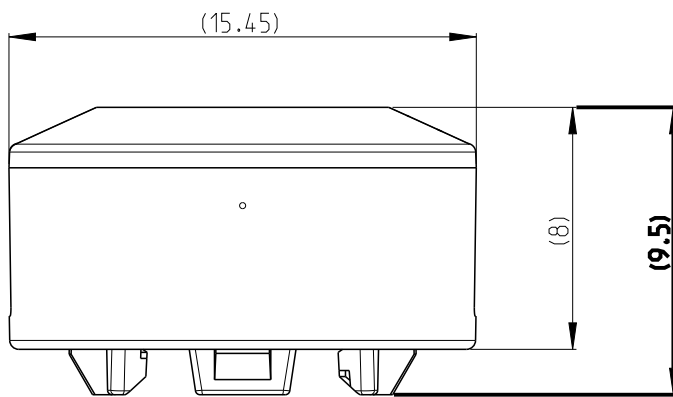
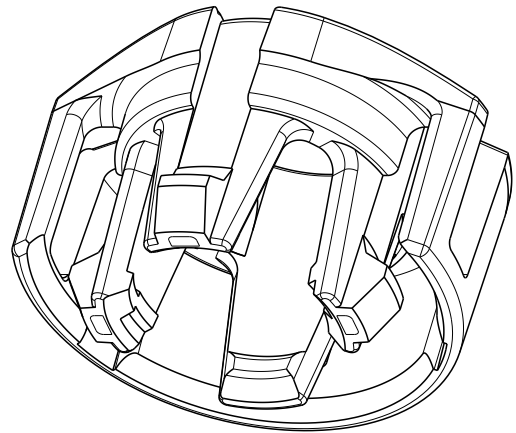
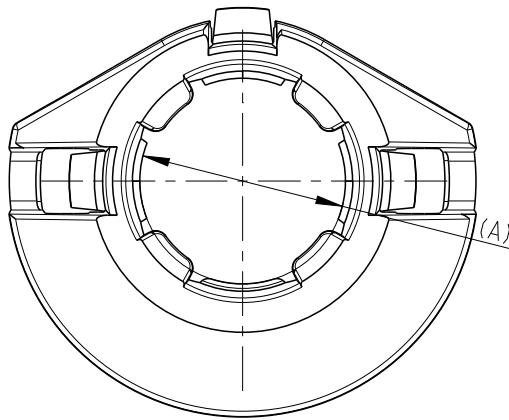


REVISIONS					
P	LTR	DESCRIPTION	DATE	DWN	APVD
	A	INITIAL RELEASE	31MAY2021	Z.C	I.Y
	A1	REVISION (ECR-23-167203)	22FEB2023	H.P	Z.Z



1 MATERIAL: PA66 30%GF
COLOR: SEE CHART

2. FEATURE DENOTED BY REFERENCE DIMENSIONS MUST BE INSPECTION FOR PRESENCE

3. PART MUST BE FREE OF EXCESSIVE FLASH, MIS-MATCH, SINK MARKS. OR OTHER VISUAL IMPERFECTIONS THAT MAY AFFECT PRODUCT FIT OR FUNCTION

4. BULK PACKAGED

AI	5.50	6.30	Ø6.45	NATURAL	FOR 5SQM	1-2371245-2
AI	5.00	5.40	Ø5.75	RED	FOR 3SQM	1-2371245-1
	6.00	6.50	Ø6.80	ORANGE	FOR 6SQM	2371245-3
	5.30	5.80	Ø6.10	GRAY	FOR 4SQM	2371245-2
	4.20	4.70	Ø5.00	BLANK	FOR 2.5SQM	2371245-1
	MIN.	MAX.	DIM. A	COLOR	DESCRIPTION	PART NO.
	WIRE O.D.					

© 2021 TE Connectivity. All Rights Reserved.

DIMENSIONS: mm	DWN Z.CHEN 31MAY2021	MATERIAL	1 -		FINISH	-	
TOLERANCES UNLESS OTHERWISE SPECIFIED:	CHK J.LI 08JUN2021						
0 PLC ±	APVD I.YIN 09JUN2021						
1 PLC ±0.1	PRODUCT SPEC 108-160170	NAME	CABLE CLIP HD400 2P 3P				
2 PLC ±0.01	APPLICATION SPEC 114-160093	SIZE	CAGE CODE	DRAWING NO	RESTRICTED TO		
3 PLC ±0.001	WEIGHT	A 4	00779	©=2371245	-		
4 PLC ±0.0001		CUSTOMER DRAWING				SCALE	4:1
ANGLES ±						SHEET	1 OF 1
						REV	A1