

## Specification Status: Released

### Electrical Rating

**Voltage: 15V MAX**  
**Current: 100A MAX**

Chip Size: 5 X 7 mm

Leads: Ni-plated Stainless steel  
0.15 mm Nominal Thickness

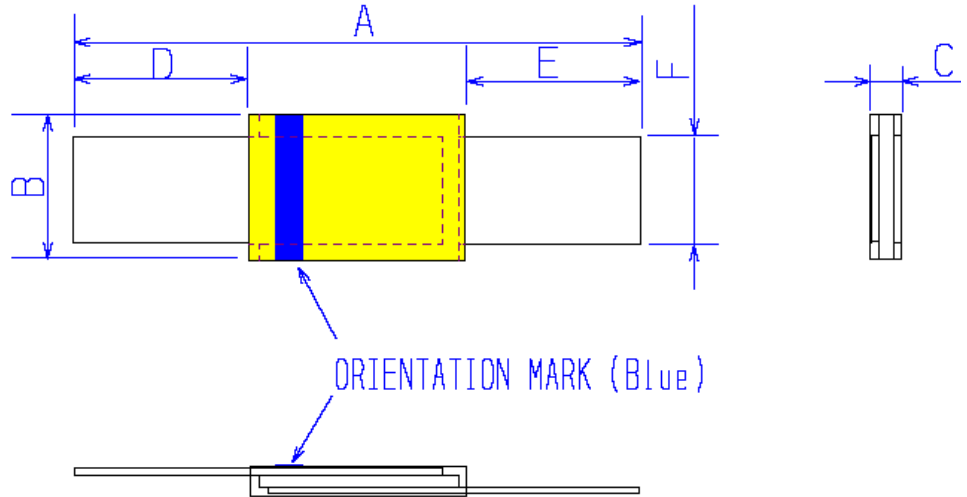
Solder: Lead-free

Tape: Polyester (Yellow)  
8mm nominal width

Marking: (Color: Green)  
Manufacturer's Mark

✕ L07 — Part Identification

□ □ □ □ — Lot Identification



**TABLE I. DIMENSIONS:**

	A		B		C		D		E		F	
	MIN	MAX	MIN	MAX	MIN	MAX	MIN	MAX	MIN	MAX	MIN	MAX
mm:	19.9	22.1	4.9	5.2	0.7	1.2	5.5	7.5	5.5	7.5	3.9	4.1
in*:	(0.783)	(0.870)	(0.192)	(0.205)	(0.027)	(0.048)	(0.216)	(0.296)	(0.216)	(0.296)	(0.153)	(0.162)

\*Rounded off approximation

**TABLE II. PERFORMANCE RATINGS: As measured in Mueller Kelvin Clips model BU-75K.**

I HOLD	CURRENT TRIP LIMITS								TIME TO TRIP	REFERENCE RESISTANCE	ONE-HOUR POST-TRIP RESISTANCE	TRIPPED-STATE POWER DISSIPATION				
	AMPS 20°C HOLD		AMPS AT 0°C		AMPS AT 20°C		AMPS AT 60°C						AMPS AT 80°C		OHMS AT 20°C	
	HOLD	TRIP	HOLD	TRIP	HOLD	TRIP	HOLD	TRIP	HOLD	TRIP	MIN	MAX	TYP	MAX	TYP	MAX
0.7	0.85	1.80	0.70	1.45	0.35	0.75	0.22	0.45	2	5	0.10	0.20	0.23	0.34	0.7	1.0

Agency Recognitions:  
Reference Documents:  
Precedence:  
Effectivity:  
CAUTION:  
Materials Information:

UL, CSA, TUV  
PS300  
This specification takes precedence over documents referenced herein.  
Reference documents shall be the issue in effect on the date of invitation for bid.  
Operation beyond the rated voltage or current may result in rupture, electrical arcing or flame.

**ROHS Compliant**

Directive 2002/95/EC  
Compliant

**ELV Compliant**

Directive 2000/53/EC  
Compliant

**Pb-Free**

