

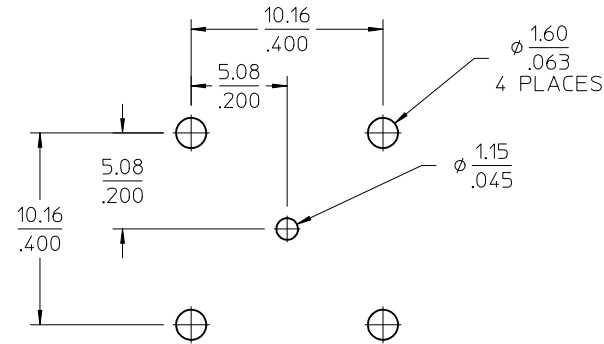
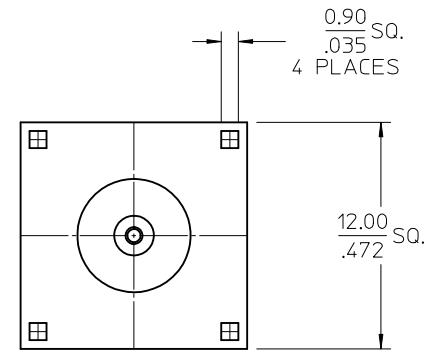
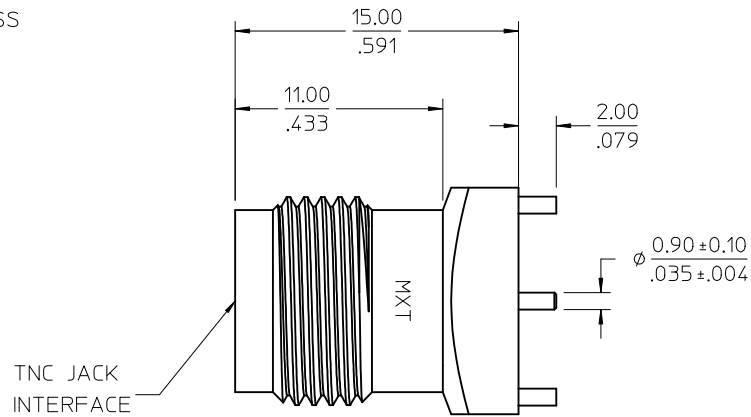
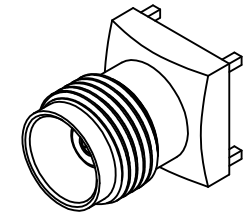
MATERIALS AND FINISHES:

BODY: BRASS  
PLATED NICKEL

INSULATOR: TEFLON

CENTER CONTACT: PHOSPHOR BRONZE  
PLATED GOLD

RETAINING RING: BRASS  
PLATED NICKEL



RECOMMENDED  
PCB LAYOUT

PART # 73100-0232

PS-73598-0038	PRODUCT SPECIFICATION
MIL-STD-348A, FIG. 313.2	TNC JACK INTERFACE
SPECIFICATION	DESCRIPTION

CHG: UPDATED VIEWS MODIFIED ALL DIM. EC NO: URF2012-0690 DRWN: CWE102 2012/05/17 CHKD: CHPPR: MHUANG APPR: MHUANG 2012/05/28	QUALITY SYMBOLS	GENERAL TOLERANCES (UNLESS SPECIFIED)	DIMENSION STYLE	SCALE	DESIGN UNITS	THIRD ANGLE PROJECTION	
	$\nabla = 0$ $\nabla = 0$ $\nabla = 0$	mm      INCH 4 PLACES ± --- ± --- 3 PLACES ± --- ± --- 2 PLACES ± --- ± --- 1 PLACE ± --- ± --- 0 PLACE ± --- ± ---	MM/IN	DRAWN BY DATE CWE102 2012/05/17 CHECKED BY DATE KERRIE 2012/05/17 APPROVED BY DATE MHUANG 2012/05/28	METRIC	TITLE	
		ANGULAR ± 2°		MATERIAL NO.		TNC JACK VERTICAL PCB 50 OHMS BNC-J	
		DRAFT WHERE APPLICABLE MUST REMAIN WITHIN DIMENSIONS		731000232	DOCUMENT NO.	SD-73100-0232	SHEET NO. 1 OF 1
THIS DRAWING CONTAINS INFORMATION THAT IS PROPRIETARY TO MOLEX INCORPORATED AND SHOULD NOT BE USED WITHOUT WRITTEN PERMISSION							