

TTC-6P-2X1-12DC-I-P - Surge protection plug



2907842

<https://www.phoenixcontact.com/us/products/2907842>

Please be informed that the data shown in this PDF document is generated from our online catalog. Please find the complete data in the user documentation. Our general terms of use for downloads are valid.



Surge protection plug with integrated status indicator on the module for two signal wires with a common reference potential. Nominal voltage: 12 V DC

Your advantages

- Space-saving and cost-saving with a narrow overall width of just 6 mm
- Continuous monitoring of protective devices, plus mechanical status indicator with optional remote signaling
- Finding the right product for all possible requirements in MCR applications is easy, thanks to the complete range of products with customized features
- Easy testing and documentation with CHECKMASTER 2 with pluggable protective modules
- The signal is not influenced during maintenance work, thanks to the impedance-neutral insertion and removal of protective plugs

Commercial data

Item number	2907842
Packing unit	1 pc
Minimum order quantity	1 pc
Sales key	CL02
Product key	CL216Z
Catalog page	Page 128 (C-4-2019)
GTIN	4055626634708
Weight per piece (including packing)	16.05 g
Weight per piece (excluding packing)	9.56 g
Customs tariff number	85363010
Country of origin	DE

TTC-6P-2X1-12DC-I-P - Surge protection plug

2907842

<https://www.phoenixcontact.com/us/products/2907842>

Technical data

Product properties

Type	Male
Product type	Replacement plug
Product family	TERMITRAB complete

Insulation characteristics

Overvoltage category	III
Pollution degree	2

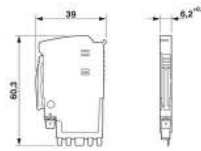
Electrical properties

Nominal voltage U_N	12 V DC
-----------------------	---------

Connection data

Connection method	pluggable
-------------------	-----------

Dimensions

Dimensional drawing	
Width	6.2 mm +0.1 mm
Height	39 mm
Depth	60.3 mm

Material specifications

Flammability rating according to UL 94	V-0
Insulating material	PBT
Housing material	PBT

Protective circuit

Maximum continuous voltage U_C	15 V DC
Rated current	600 mA (56 °C)

Environmental and real-life conditions

Ambient conditions

Degree of protection	IP20
Ambient temperature (operation)	-40 °C ... 85 °C
Ambient temperature (storage/transport)	-40 °C ... 85 °C
Altitude	≤ 4000 m (amsl)
Permissible humidity (operation)	5 % ... 95 %

TTC-6P-2X1-12DC-I-P - Surge protection plug



2907842

<https://www.phoenixcontact.com/us/products/2907842>

Standards and regulations

EN 61643-21

Standards/specifications	EN 61643-21
Note	2001 + A1:2009 + A2:2013
Standards/specifications	IEC 61643-21
Note	2000 + corrigendum 2001 + A1:2008, modified + A2:2012

Mounting

Mounting type	on base element
---------------	-----------------

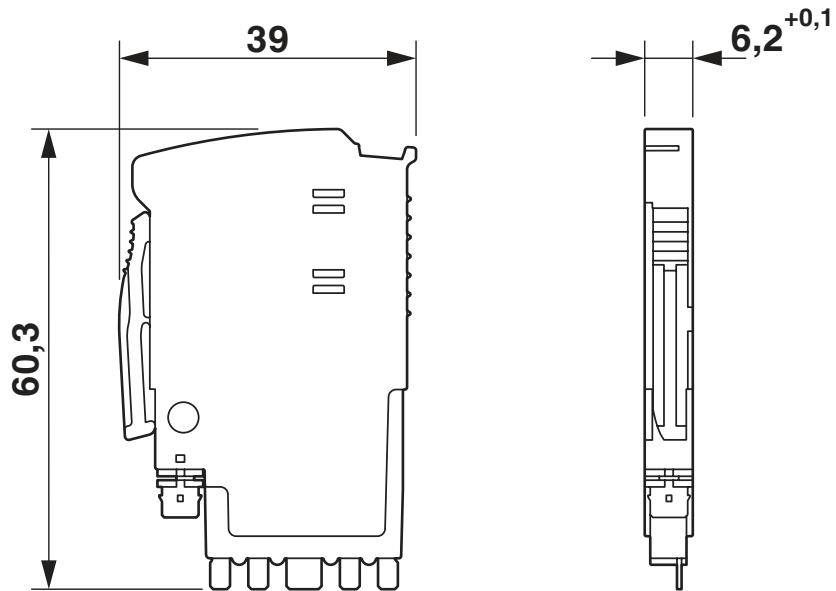
TTC-6P-2X1-12DC-I-P - Surge protection plug

2907842

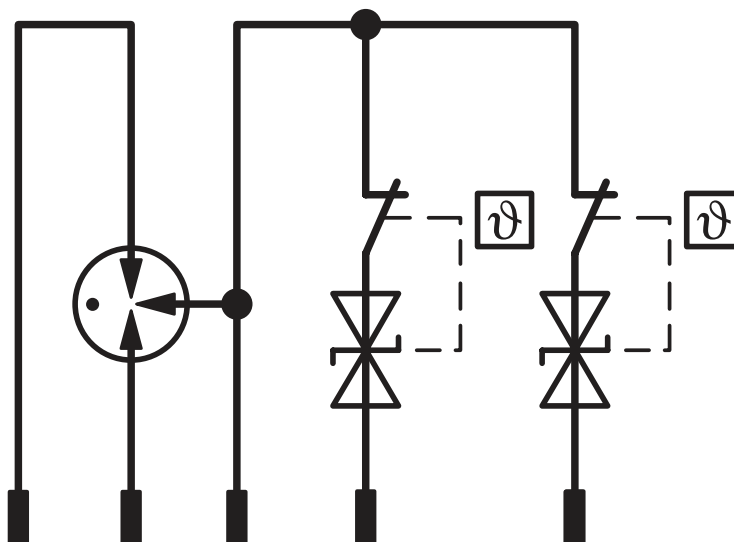
<https://www.phoenixcontact.com/us/products/2907842>

Drawings

Dimensional drawing



Circuit diagram



TTC-6P-2X1-12DC-I-P - Surge protection plug



2907842

<https://www.phoenixcontact.com/us/products/2907842>

Approvals

To download certificates, visit the product detail page: <https://www.phoenixcontact.com/us/products/2907842>



CSA

Approval ID: 70136717



DNV GL

Approval ID: TAE000027G



UL Listed

Approval ID: FILE E 138168



CSAus

Approval ID: 70136717

UAE-RoHS

Approval ID: 22-06-16781

cCSAus

TTC-6P-2X1-12DC-I-P - Surge protection plug



2907842

<https://www.phoenixcontact.com/us/products/2907842>

Classifications

ECLASS

ECLASS-11.0	27130890
ECLASS-13.0	27171501

ETIM

ETIM 8.0	EC002496
----------	----------

UNSPSC

UNSPSC 21.0	39121600
-------------	----------

TTC-6P-2X1-12DC-I-P - Surge protection plug



2907842

<https://www.phoenixcontact.com/us/products/2907842>

Environmental product compliance

REACH SVHC	Lead 7439-92-1
China RoHS	Environmentally Friendly Use Period = 50 years
	For information on hazardous substances, refer to the manufacturer's declaration available under "Downloads"

TTC-6P-2X1-12DC-I-P - Surge protection plug



2907842

<https://www.phoenixcontact.com/us/products/2907842>

Accessories

ZBF 6 CUS - Zack Marker strip, flat

0825027

<https://www.phoenixcontact.com/us/products/0825027>



Zack Marker strip, flat, Strip, can be ordered: Strip, white, labeled according to customer specifications, mounting type: snap into flat marker groove, for terminal block width: 6.2 mm, lettering field size: 5.15 x 6.15 mm, Number of individual labels: 10

ZBF 6:UNBEDRUCKT - Zack Marker strip, flat

0808710

<https://www.phoenixcontact.com/us/products/0808710>



Zack Marker strip, flat, Strip, white, unlabeled, can be labeled with: PLOTMARK, CMS-P1-PLOTTER, mounting type: snapped, for terminal block width: 6.2 mm, lettering field size: 5.15 x 6.15 mm, Number of individual labels: 10

TTC-6P-2X1-12DC-I-P - Surge protection plug

2907842

<https://www.phoenixcontact.com/us/products/2907842>



ZBF 6/WH-100:UNBEDRUCKT - Zack Marker strip, flat

0808736

<https://www.phoenixcontact.com/us/products/0808736>



Zack Marker strip, flat, Strip, white, unlabeled, can be labeled with: PLOTMARK, CMS-P1-PLOTTER, mounting type: snapped, for terminal block width: 6.2 mm, lettering field size: 5.15 x 6.15 mm, Number of individual labels: 1000

ZBF 6,QR:FORTL.ZAHLEN - Zack Marker strip, flat

0808765

<https://www.phoenixcontact.com/us/products/0808765>



Zack Marker strip, flat, Strip, white, labeled, Printed vertically: consecutive numbers 1 ... 10, 11 ... 20, etc. up to 91 ... 100, mounting type: snapped, for terminal block width: 6.2 mm, lettering field size: 5.15 x 6.15 mm, Number of individual labels: 10

TTC-6P-2X1-12DC-I-P - Surge protection plug

2907842

<https://www.phoenixcontact.com/us/products/2907842>



X-PEN 0,35 - Marker pen

0811228

<https://www.phoenixcontact.com/us/products/0811228>



Marker pen without ink cartridge, for manual labeling of markers, labeling extremely wipe-proof, line thickness 0.35 mm

Phoenix Contact 2023 © - all rights reserved

<https://www.phoenixcontact.com>

Phoenix Contact USA
586 Fulling Mill Road
Middletown, PA 17057, United States
(+717) 944-1300
info@phoenixcon.com