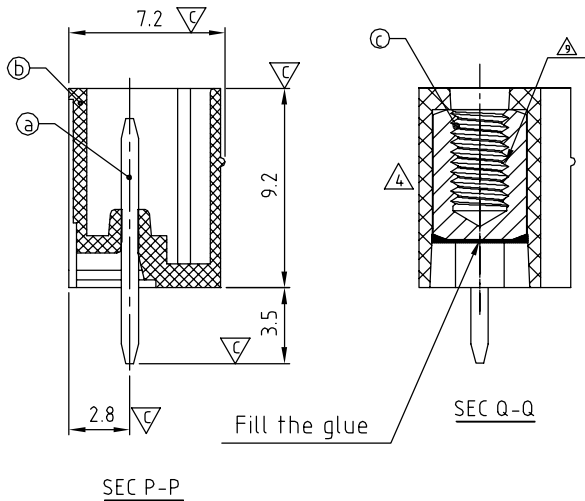
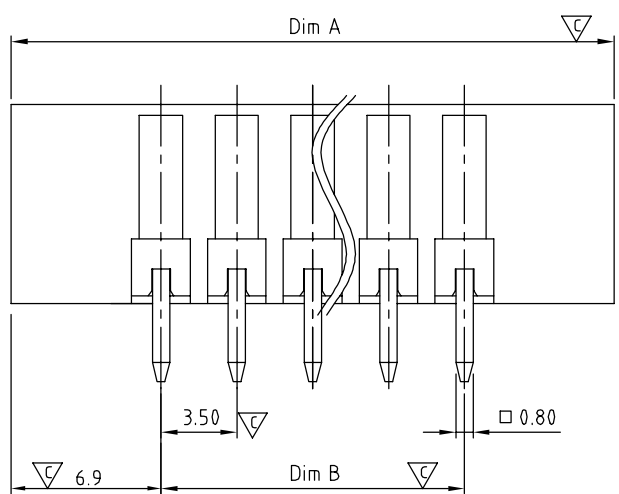


N= Number of contacts

Dim A	$(N-1) \times 3.5 + 13.8$
Dim B	$(N-1) \times 3.5$
Dim C	$(N-1) \times 3.5$
Dim D	$(N-1) \times 3.5 + 8.6$

2p-6p	±0.15
7p-12p	±0.20
13p-16p	±0.25
17p-24p	±0.30



SIGN	DATE	DESCRIPTION	APPROVER
△	04/20'06	added feature	Marvin
△	8/16'06	Added VDE standard	Steady
△	1/11'07	Soldering temperature changed from 245° to 250°	Tony
△	12/27'07	Body flange is changed	Marvin
△	5/27'08	Operating temperature is changed	Marvin
△	2009.08.18	The material is changed	Jacke
△	2009.08.28	The design is changed from the round hole to hexagonal hole	Jacke
△	2010.07.07	Remove the CSA mark	Chen Bo
△	11/18'11	Flange nut is changed	ChenMing
△	2012.05.14	Voltage rating is changed	Chen Bo
△	2012.05.14	The Dimension Dim C & Dim D are added	Chen Bo

THIS IS CAD DRAWING, DO NOT REVISE MANUALLY!!!

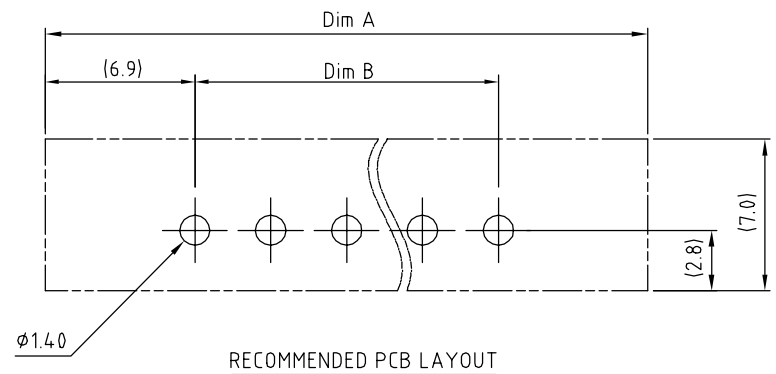
Material:

- Item ① Male contact pin: Copper C1100 Tin plated
- Item ② Terminalhousing): Thermoplastic (UL94 V-0)
- Item ③ With flange nut: Brass M2.5

- △ 2 Electrical: cULus /VDE
- △ 10 ● Voltage rating: 300V/300V
- Current rating: 10A/10.5A
- Withstanding Voltage: 1.6 KV/2.5KV
- △ 5 ● Operating temperature: -40°C to +115°C
- △ 3 ● Soldering temperature: 250°C±10°C/5 Sec
- △ 8 ● Safety Approval:
- Critical dimension: ▽

OQ xx 15 x 0 xxxx G

- No. OF POLES: 02: 2 POLES
- Color: 0 Black (RAL9005), 2 Red (RAL3001/D), 3 Orange (RAL2011/P), 4 Yellow (RAL1018/A), 5 Green (RAL6018/T), 6 Blue (RAL5015/A), 8 Grey (RAL7035/D)
- G RoHS compliant (lead<4%) In copper Alloy
- 0000: "@ " Logo
- 000A: "ANYTEK" Logo
- Any special item by customer request, please contact sales department.



ANYTEK		CUSTOMER COPY	
<small>ALL RIGHTS RESERVED. REPRODUCTION OR ISSUE TO THIRD PARTIES IN ANY FORM WHATSOEVER IS NOT PERMITTED WITHOUT WRITTEN AUTHORITY FROM THE PROPRIETOR. PROPERTY OF ANYTEK TECHNOLOGY CO., LTD</small>			
TITLE	OQ 3.5mm 180° Series with flange		
PART NO.	OQxx15x0xxxxG	DWG NO.	80Q0403
APPROVED	CHECKED	DESIGNED	DRAWN
		Chen Bo 05/14'12	Chen Bo 05/14'12
SHEET: 01/01		UNIT: mm	Tolerance
REV.: N		SCALE: NONE	X. ±0.50
			X.X ±0.30
			X.XX ±0.10
			X° ±1°