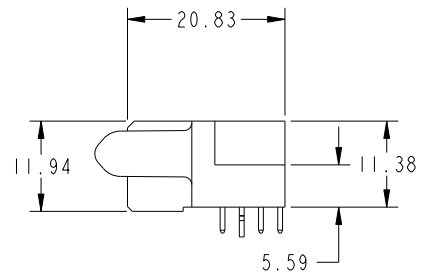
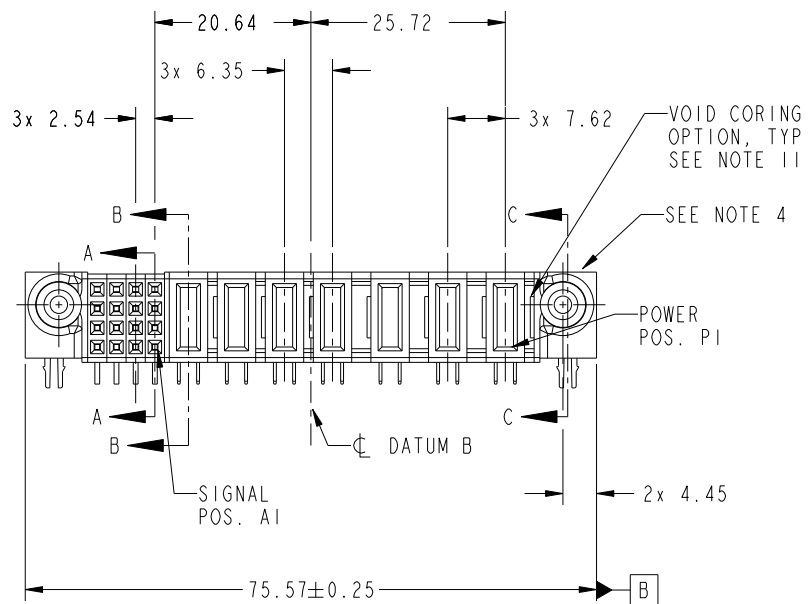


PRODUCT NO.	ROWS	SIGNAL				POWER							E1	
		E2	4	3	2	1	P7	P6	P5	P4	P3	P2		P1
51915-457-- NOTE 3	D C B A													

CODE	DIM "M" MATING LENGTH	CONTACT TYPE
PA	[1.07]	POWER
PC	[2.34]	POWER
H	[N/A]	SIGNAL
G	[N/A]	SIGNAL
F	[N/A]	SIGNAL
E	[N/A]	SIGNAL
HA	[N/A]	HOLD-DOWN



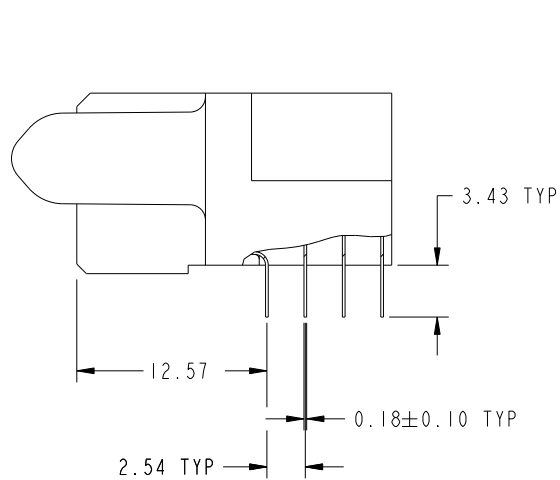
Copyright FCI.

spec ref	SEE NOTES			dr	Ruan MT	2014/08/13	projection 	MM ←→	size	A4	scale	1:1
tolerance std	TOLERANCES UNLESS OTHERWISE SPECIFIED			eng	De-Ming Lu	2014/11/03			ecn no	-		
SEE NOTES				chr	-	-						
surface	linear	0.X	±0.50	appr	Pei-Ming Zheng	2014/11/03	product family	PwrBlade	rel level	Released		
		0.XX	±0.25	FCI	www.fci.com	title	3ACP+4P+16S	R/A STB RECEPTACLE	cat. no.	Product - Customer Drw	sheet 1 of 4	
		0.XXX	±0.10									
	angular	0°	±2°									

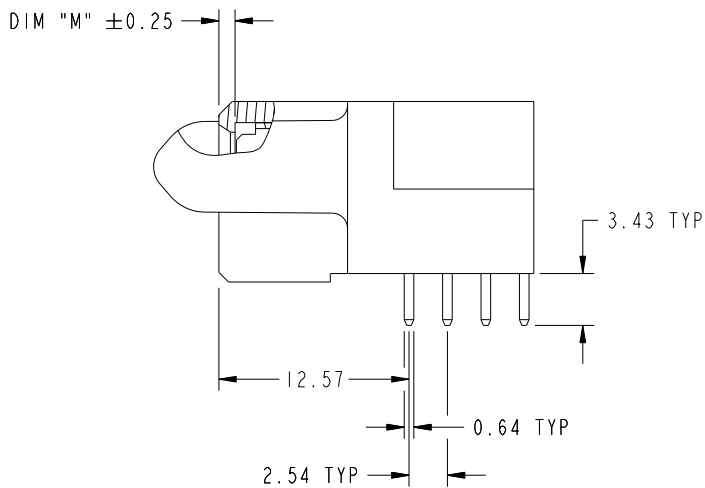
ProjE File - REV C - 2009-06-09

PRODUCT NUMBER

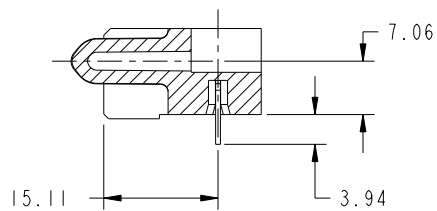
51915-457--
NOTE 3



BROKEN-OUT SECTION A-A
SCALE 2:1



BROKEN-OUT SECTION B-B
SCALE 2:1

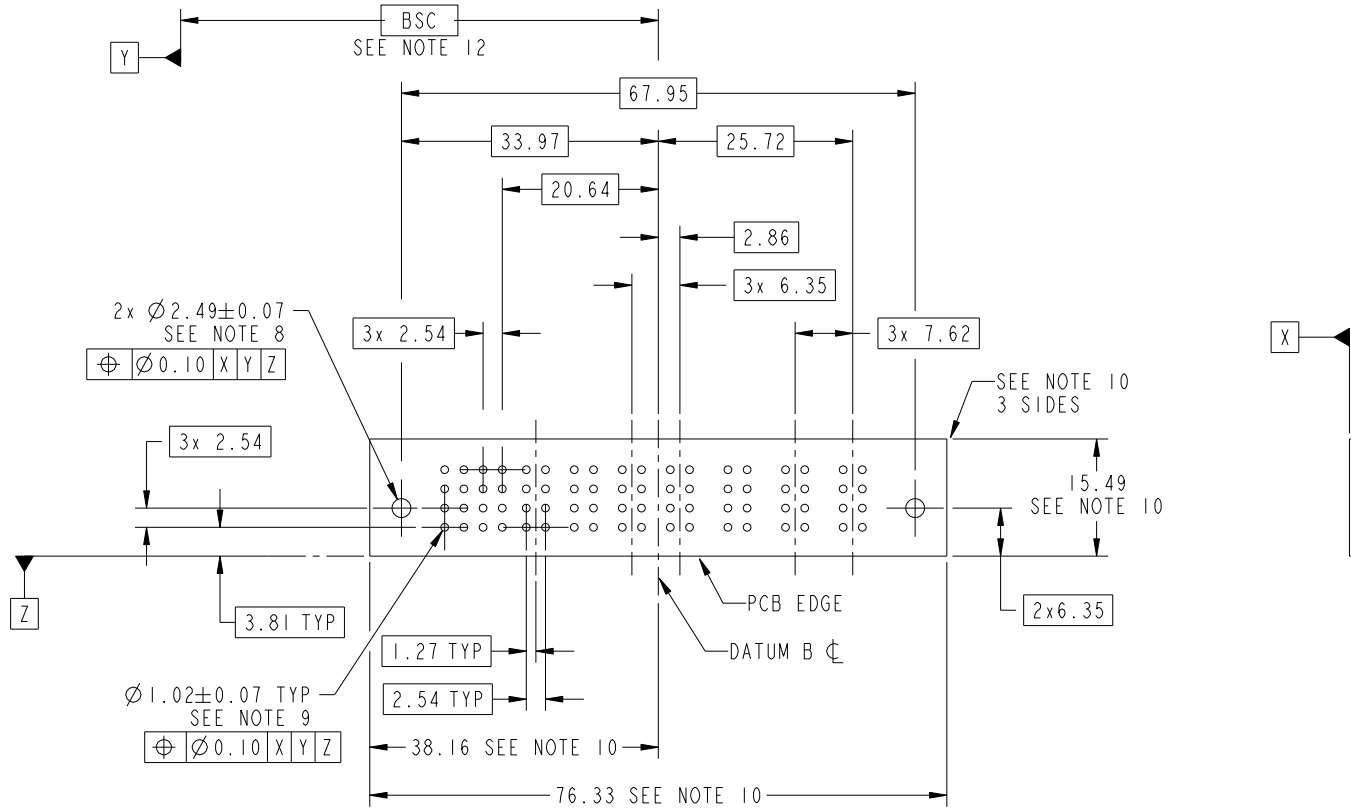


SECTION C-C

dr	Ruan MT	2014/08/13	projection 	MM ←————→	size	A4	scale	1:1	
eng	De-Ming Lu	2014/11/03			ecn no	-			
chr	-	-			rel level	Released			
appr	Pei-Ming Zheng	2014/11/03	product family	PwrBlade					
		title	3ACP+4P+16S R/A STB RECEPTACLE		dwg no	51915-457		rev	A
www.fci.com		cat. no.	Product - Customer Drw			sheet 2 of 4			

PRODUCT NUMBER

51915-457--
NOTE 3



RECOMMENDED PCB LAYOUT

dr	Ruan MT	2014/08/13	projection 	MM 	size	A4	scale	1:1	
eng	De-Ming Lu	2014/11/03			ecn no	-			
chr	-	-							
appr	Pei-Ming Zheng	2014/11/03	product family	PwrBlade	rel level	Released			
	title	3ACP+4P+16S R/A STB RECEPTACLE			dwg no	51915-457		rev	A
www.fci.com	cat. no.	Product - Customer Drw			sheet 3 of 4				



PRODUCT NUMBER

51915-457--
NOTE 3

NOTES:

1. DIMENSIONS AND TOLERANCES ARE IN ACCORDANCE WITH ASME Y14.5M, 1994 UNLESS OTHERWISE SPECIFIED.

CONNECTOR NOTES:

- 2. HOUSING MATERIAL: UL 94 V-0 GLASS FILLED HIGH-TEMP THERMOPLASTIC
POWER CONTACT MATERIAL: COPPER ALLOY
SIGNAL PIN MATERIAL: COPPER ALLOY
- 3. SEE ITEM 5 & 6 IN PRINT 10064183 FOR PLATING SPEC OF 51915-457 AND 51915-457LF RESPECTIVELY.
- 4. MANUFACTURER'S NAME, DATE CODE AND OPTIONAL P/N TO APPEAR ON THIS SURFACE. THE MARK CAN BE OMITTED IF THERE IS NOT ENOUGH SPACE ON THIS SURFACE.
- 5. PRODUCT SPECIFICATION GS-12-149.
APPLICATION SPECIFICATION BUS-20-067.
- 6. PACKAGED IN TRAYS.

PCB NOTES:

- 7. ALL HOLE DIAMETERS ARE FINISHED HOLE SIZE.
- 8. MOUNTING HOLES, WHERE APPLICABLE, ARE UNPLATED.
- 9. $\varnothing 1.151 \pm 0.025$ DRILLED HOLES PLATED WITH
0.008 MIN SnPb OR Sn OVER 0.03
TO 0.08 Cu PLATING TO ACHIEVE
 $\varnothing 1.02 \pm .07$ HOLE.
- 10. CONNECTOR KEEP-OUT ZONE.
- 11. THE VOID CORING IN BETWEEN POWER MODULES, SIGNAL MODULES AND END MODULES ARE OPTIONAL AND THE SHAPE MAY BE DIFFERENT FOR OPTIMIZE THE MOLDING PROCESS. THE VOID CORING WILL NOT EFFECT TO PRODUCT FUNCTION.
- 12. DATUM AND BASIC DIMENIONS ARE ESTABLISHED BY CUSTOMER.

dr	Ruan MT	2014/08/13	projection 	MM 	size	A4	scale	1:1
eng	De-Ming Lu	2014/11/03			ecn no	-		
chr	-	-			product family	PwrBlade	rel level	Released
appr	Pei-Ming Zheng	2014/11/03			title 3ACP+4P+16S R/A STB RECEPTACLE	dwg no 51915-457	rev A	
www.fci.com		cat. no.	Product - Customer Drw			sheet 4 of 4		



Copyright FCI.