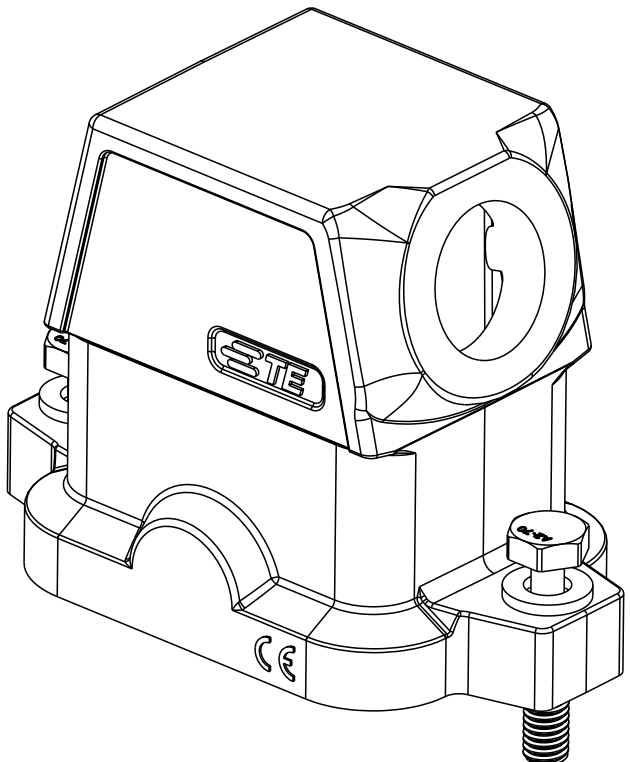
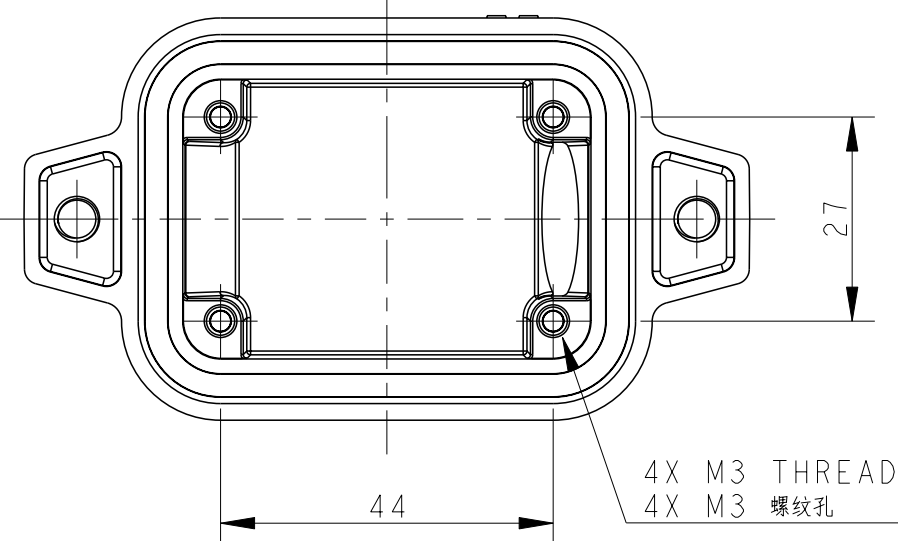
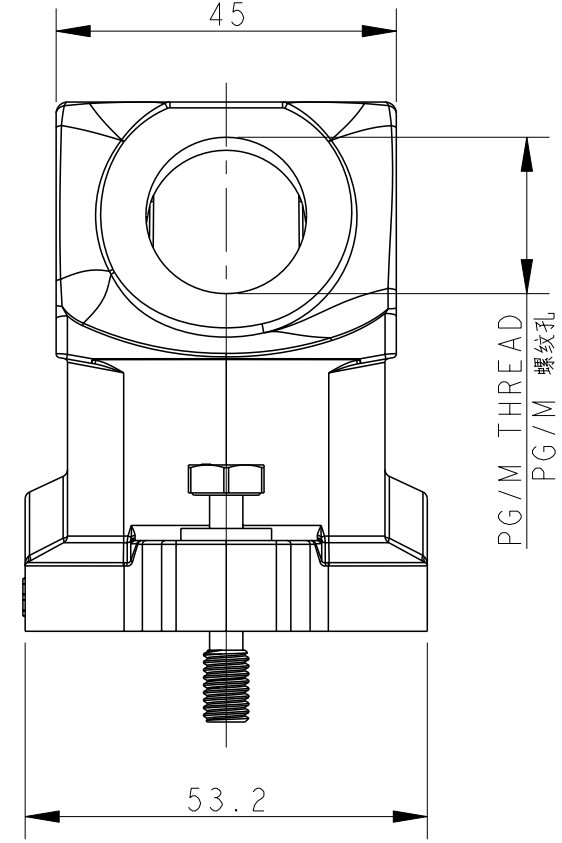
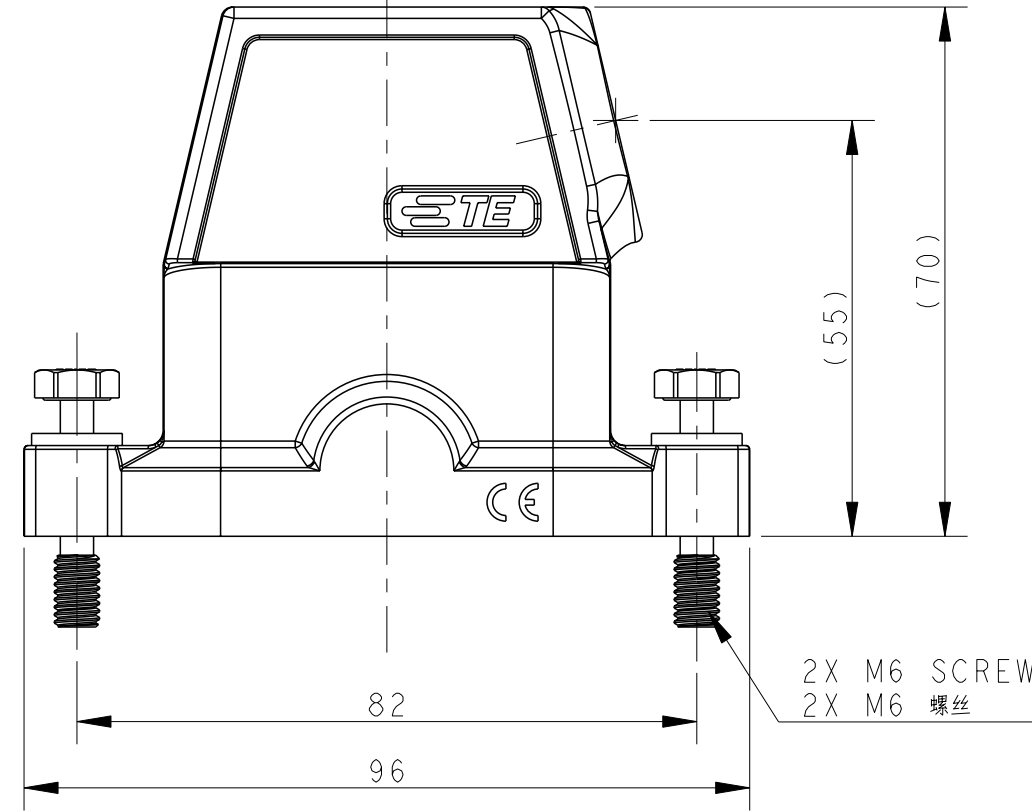


THIS DRAWING IS UNPUBLISHED. RELEASED FOR PUBLICATION 20  
 © COPYRIGHT 20 BY - ALL RIGHTS RESERVED.

REVISIONS				
P	LTR	DESCRIPTION	DATE	APVD
A		INITIAL RELEASE	18OCT2016	DW CW
B		ECR-20-016312	03JUN2021	BS CW



NOTES:  
 1. TECHNICAL CHARACTERISTICS:  
 HOOD MATERIAL: DIE CAST ALUMINIUM ALLOY  
 SURFACE: SEE TABLE  
 DEGREE OF PROTECTION: IP68 (MATED)

注释  
 1. 技术参数:  
 壳体材料: 铝合金  
 表面处理: 见表格  
 防护等级: IP68 (配合)

PART NUMBER 料号	DESCRIPTION 描述	PG/M THREAD PG/M 螺纹
T1912062125-009	H6BPR-TSHC-M25-EMC-C H6BPR中部锁定侧出上壳M25 灰色	M25
T1912062121-009	H6BPR-TSHC-PG21-EMC-C H6BPR中部锁定侧出上壳PG21 灰色	PG21
T1912062120-009	H6BPR-TSHC-M20-EMC-C H6BPR中部锁定侧出上壳M20 灰色	M20
T1912062116-009	H6BPR-TSHC-PG16-EMC-C H6BPR中部锁定侧出上壳PG16 灰色	PG16
T1912061125-009	H6BPR-TSHC-M25-EMC-C H6BPR中部锁定侧出上壳M25 银白色	M25
T1912061121-009	H6BPR-TSHC-PG21-EMC-C H6BPR中部锁定侧出上壳PG21 银白色	PG21
T1912061120-009	H6BPR-TSHC-M20-EMC-C H6BPR中部锁定侧出上壳M20 银白色	M20
T1912061116-009	H6BPR-TSHC-PG16-EMC-C H6BPR中部锁定侧出上壳PG16 银白色	PG16
T1912060125-009	H6BPR-TSHC-M25-EMC-C H6BPR中部锁定侧出上壳M25 黑色	M25
T1912060121-009	H6BPR-TSHC-PG21-EMC-C H6BPR中部锁定侧出上壳PG21 黑色	PG21
T1912060120-009	H6BPR-TSHC-M20-EMC-C H6BPR中部锁定侧出上壳M20 黑色	M20
T1912060116-009	H6BPR-TSHC-PG16-EMC-C H6BPR中部锁定侧出上壳PG16 黑色	PG16

THIS DRAWING IS A CONTROLLED DOCUMENT.		DWN DAVID WANG 18OCT2016	<b>STE</b> TE Connectivity	
		CHK CHRIS WANG 18OCT2016		
		APVD XIANG XU 18OCT2016	NAME H6BPR-TSHC-PG/M-EMC-C	
DIMENSIONS: mm		PRODUCT SPEC 108-137191	SIZE A2	
TOLERANCES UNLESS OTHERWISE SPECIFIED:		APPLICATION SPEC 114-137191	CAGE CODE -	
0 PLC ±-		WEIGHT -	DRAWING NO C-T191206XXXX009	
1 PLC ±-		RESTRICTED TO -		
2 PLC ±-		SCALE 1:1		
3 PLC ±-		SHEET 1 OF 1		
4 PLC ±-		REV B		
ANGLES ±-		Customer Drawing		
FINISH -				

Printed on 7 Jun 2021 15:31 (China Standard Time) from IE236667