

4

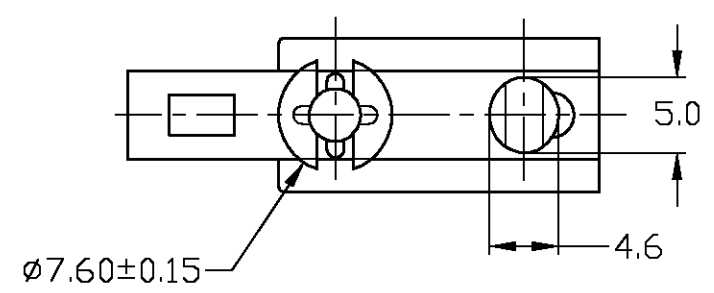
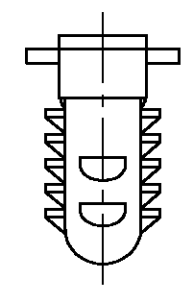
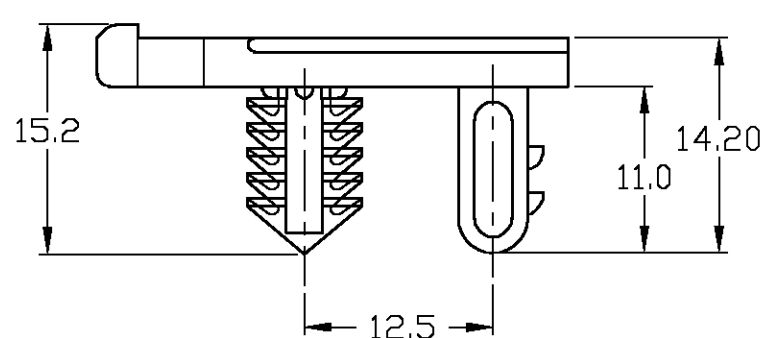
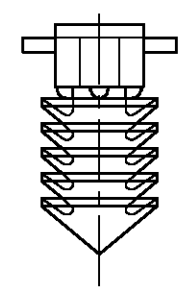
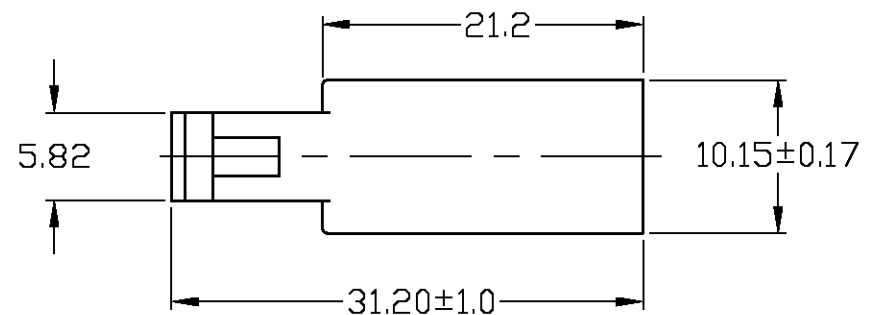
3

2

1

THIS DRAWING IS UNPUBLISHED. RELEASED FOR PUBLICATION
 © COPYRIGHT BY TYCO ELECTRONICS CORPORATION. ALL RIGHTS RESERVED.

LOC	DIST	REVISIONS			
P	LTR	DESCRIPTION	DATE	DWN	APVD
GE	18	A	REVISED PER ECR 05-017939	03FEB2006	DLD DMR



- 1 MATERIAL: ZYTEL 408HS OR APPROVED EQUIVALENT. COLOR: NATURAL
- 2. CLIP TO SNAP INTO 6.5 DIA HOLE IN MATERIAL OF 5.10/.56 THICKNESS.
- 3. FORD PART NUMBER: E9DB-14A163-CA

184288-1
 PART NUMBER

THIS DRAWING IS A CONTROLLED DOCUMENT.		DWN	JR BUSSARD	13NOV2002	 Tyco Electronics Corporation Harrisburg, PA 17105-3608
DIMENSIONS: mm		CHK	KL COBLE	13NOV2002	
		APVD	KL COBLE	13NOV2002	
TOLERANCES UNLESS OTHERWISE SPECIFIED:		PRODUCT SPEC		NAME	
0 PLC ± -		-		RETAINER, ANTI-ROTATIONAL	
1 PLC ± 0.30		APPLICATION SPEC		-	
2 PLC ± 0.10		-		SIZE	A3
3 PLC ± -		WEIGHT		CAGE CODE	00779
4 PLC ± -		-		DRAWING NO	C=184288
ANGLES ± -		-		RESTRICTED TO	-
FINISH		-		SCALE	2:1
MATERIAL		-		SHEET	1 of 1
1		CUSTOMER DRAWING		REV	A