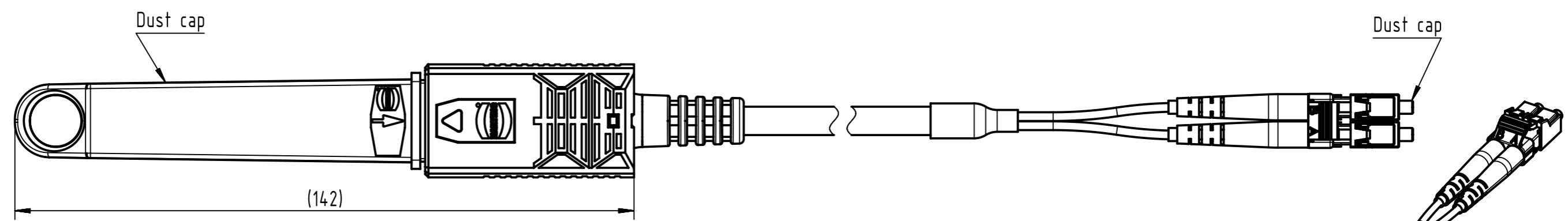
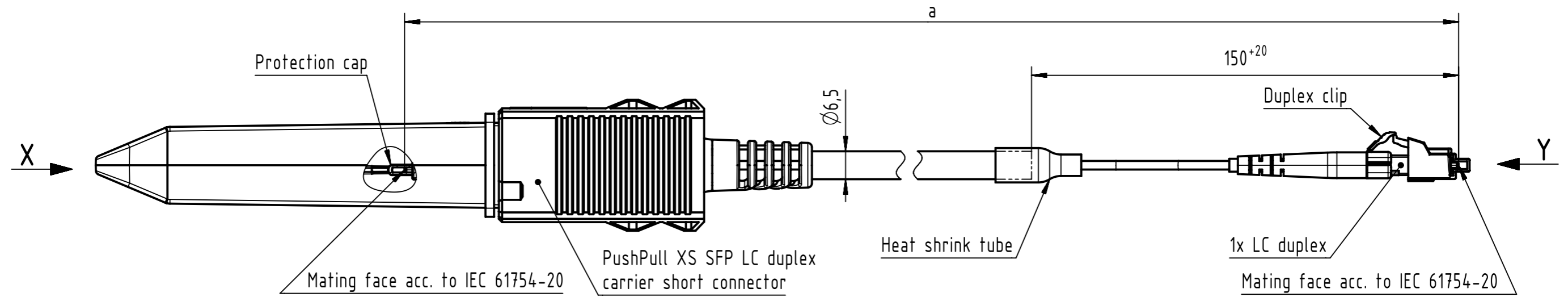


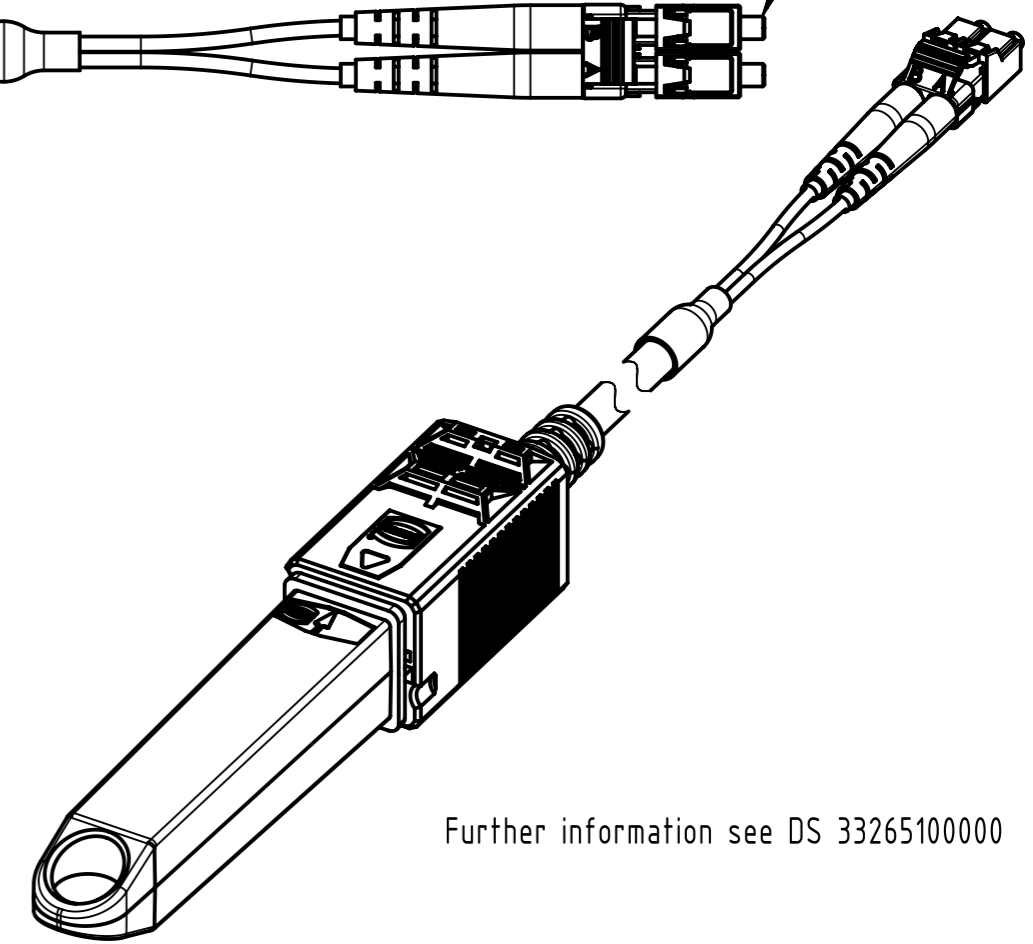
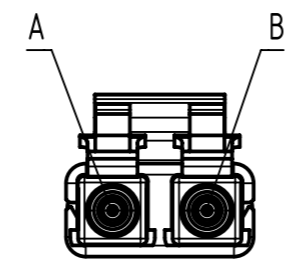
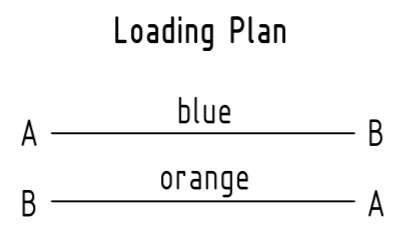
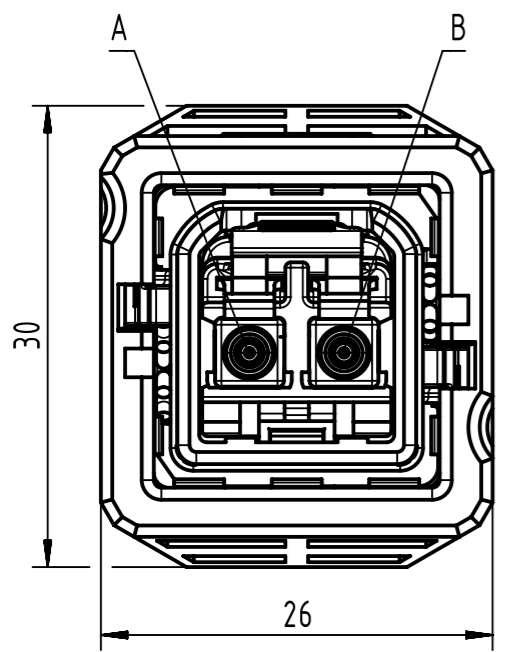
Connector Location A

Connector Location B




X
male
(without dust cap and protection cap)

Y
male
(without dust cap)



Further information see DS 33265100000

	All rights reserved	Created by 402676 Gross	Inspected by COSTEA Costea	Standardisation MUNTEANV Muntean	Date 2020-03-02	State Final Release
	Department HCS - RO	Title PP XS LCdx Sh - LCdx, SM Assy			Doc-Key / ECM-Nr. 100572207/UGD/030/E 500000167703	
HARTING Customised Solutions D-32339 Espelkamp		Type TB	Number 332623XXXX0017		Rev. E	Page 1/2

1	2	3	4	5	6	7	8	
A								
B								
	28	33262311000017	FO Cable, 2-channel, SM, 9/125µm, PUR, black	100	±1%			
	27	33262310900017		90				
	26	33262310800017		80				
	25	33262310700017		70				
	24	33262310600017		60				
	23	33262310500017		50				
C	22	33262310450017		45				
	21	33262310400017		40				
	20	33262310350017		35				
	19	33262310300017		30				
	18	33262310250017		25				
	17	33262310200017		20				
	16	33262310150017		15				
D	15	33262310140017		14				
	14	33262310130017		13				
	13	33262310120017		12				
	12	33262310110017		11				
	11	33262310100017		10				
	10	33262310090017		9				
	9	33262310080017		8				
E	8	33262310070017		7				
	7	33262310060017		6				
	6	33262310050017		5				
	5	33262310040017		4				
	4	33262310030017		3				
	3	33262310020017		2				
	2	33262310010017		1				
	1	33262330500017		0.5		±15		
F								
	Cont. no.	Part no.	Type of cable	Dim. a[m]	 All rights reserved Department HCS - RO HARTING Customised Solutions D-32339 Espelkamp			Tech. Character. Free size tol. According to production drawing Created by 402676 Gross Inspected by COSTEA Costea Standardisation MUNTEANV Muntean Date 2020-03-02 State Final Release Title PP XS LCdx Sh - LCdx, SM Assy Doc-Key / ECM-Nr. 100572207/UGD/030/E 500000167703 Rev. E Page 2/2
	1	2	3	4	5	6	7	8