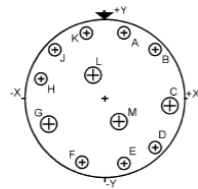


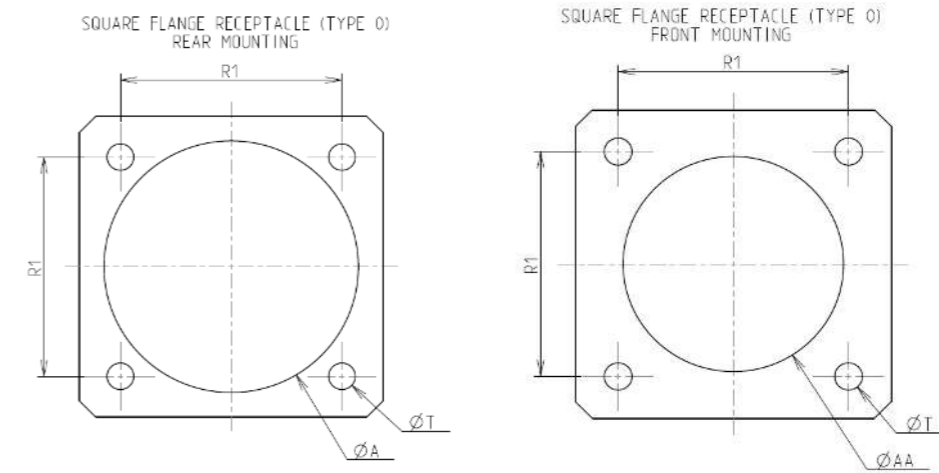
Contacts Layout



| Contact position ID | Location | | Contact position ID | Location | |
|---------------------|-------------|-------------|---------------------|-------------|-------------|
| | X-axis (mm) | Y-axis (mm) | | X-axis (mm) | Y-axis (mm) |
| A | +065 (1.65) | +234 (5.94) | G | -207 (5.26) | -095 (2.41) |
| B | +178 (4.52) | +178 (4.52) | H | -234 (5.94) | +065 (1.65) |
| C | +230 (5.84) | -023 (0.58) | J | -178 (4.52) | +178 (4.52) |
| D | +178 (4.52) | -178 (4.52) | K | -065 (1.65) | +234 (5.94) |
| E | +065 (1.65) | -234 (5.94) | L | -047 (1.19) | +081 (2.06) |
| F | -089 (2.26) | -235 (5.97) | M | +047 (1.19) | -081 (2.06) |

| Shell size | Arrangement no. | Number of contacts | Size contacts | Service rating | Contact location | Supersedes |
|------------|-----------------|--------------------|---------------|----------------|--------------------------|------------|
| 15 | -97 | 4 8 | 16 20 | I | C, G, L, M All others | MS20052-97 |

Panel Cutout



| Dim | Nominal |
|-----|------------|
| ØA | 26.59 min |
| ØAA | 23.01 min |
| R1 | 24.61 |
| ØT | 3.25 ±0.13 |

SOURIAU shall not be liable for any non-conformity or damage due to a use of the Products which does not comply with the Specifications issued by either of the Parties or by a third party (professional recommendation, technical notice.)

| Country | Jurisdiction & Control List |
|---------|-----------------------------|
| FR | Not Listed |

PN: 8D015K97AE

| | | | |
|----------------|---|----------------------------|---|
| A | 12-10-2016 | First Release | |
| ISS | DATE | Latest modification - by | MOD N° |
| Designed By: | | Date: | CUSTOMER DRAWING |
| TITLE | Stainless Steel Receptacle 8D series | | |
| SCALE | | General linear Tolerances: | NPRDS / PROJECT |
| NA | | ±-- | 859 |
| SOURIAU | WWW.SOURIAU.COM | | This document is the property of SOURIAU it must not be reproduced or communicated without permission |
| FORMAT | SOURIAU DRG N° 8D015K97AE-C | | SHEET 2/2 |