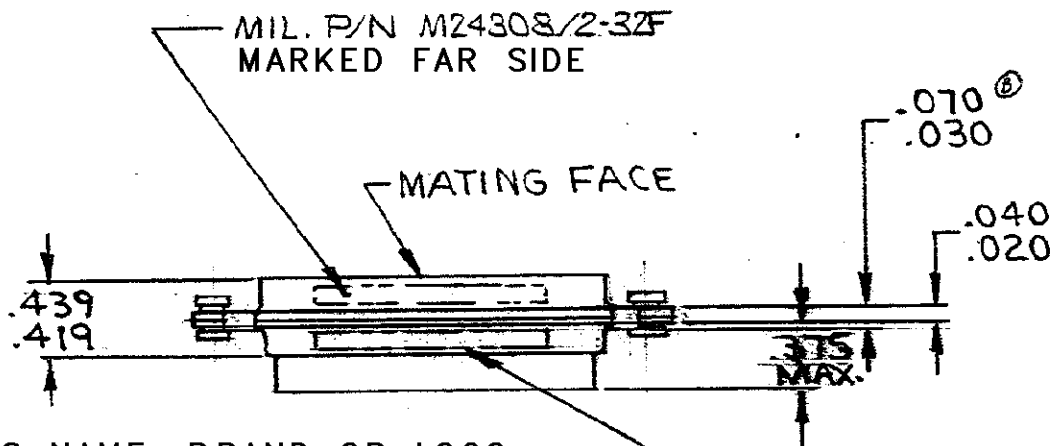
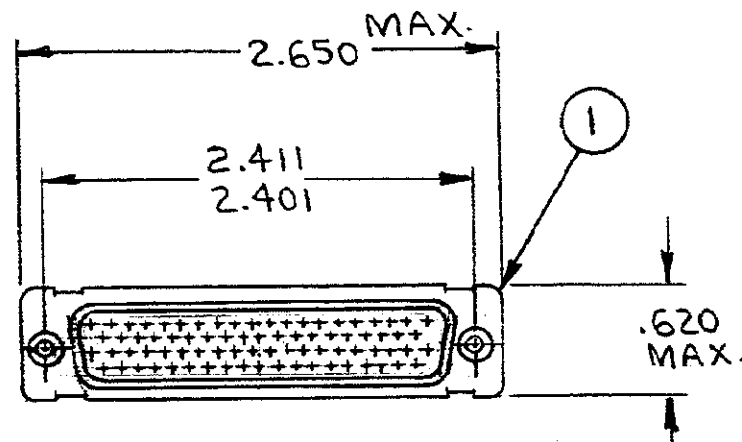


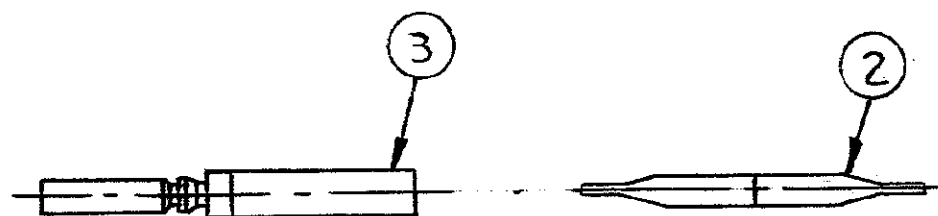
© 1970 BY AMP INCORPORATED. ALL RIGHTS RESERVED. AMP PRODUCTS COVERED BY PATENTS AND/OR PATENTS PENDING.

Not to be reproduced nor published without the permission of AMP Incorporated

⚠ APPROPRIATE AMP P/N (KIT) IS MARKED ON PACKAGE



MFG'S NAME, BRAND OR LOGO
MFG'S PART NO AND DATE CODE
MARKED FAR SIDE



REVISIONS				
ZONE	LTR	DESCRIPTION	DATE	APPROVED
	A	REV. & REDRAWN, RELEASED WAS 5066-169 PER ECN A-962	12-29-70	L.M./JS
	A	NOTES ADDED, ECN B-011	2/4/71	JS/JS
	B	REV. PER ECN B-948	5/11/73	L.M./JS
	B1	REV. PER ECN E-342	5/19/74	L.M./JS
	C	REV. PER ECN G-047	2/3/79	JS/JS
	D	REV PER ECN DF-0021; DF-0160 & R2670	NR 11-3-88	EAM
	E	ECO-08-023688	PY 11-08	BW

SUPSD BY 204544-29 91067-1

X	-	-	MILITARY P/N M24308/2-43F MARKED ON PACKAGE	
-	X	-	MILITARY P/N M24308/2-32F MARKED ON PACKAGE	
86	86	-	B 204351-1 CONTACT, SOCKET, SIZE 22 D	3
1	-	1	B 91067-1 INSERTION & EXTRACTION TOOL	2
1	1	1	A 204532-1 RECEPTACLE ASSY, SIZE #5	1
3	2	-	DWG NUMBER	NAME

204544 204544 204544	UNLESS OTHERWISE SPECIFIED DIMENSIONS ARE IN INCHES TOLERANCES ON: DECIMALS ± .001 ANGLES ± .1°		CONTRACT NO.		AMP AMP INCORPORATED HARRISBURG, PENNSYLVANIA	
	MATERIAL		DR. <i>L. Mornington</i> 12-29-70	NAME		
	+/-		APFD. <i>B. Baw</i> 1-19-71	KIT "HDD" SERIES, RECEPTACLE, SIZE #5		
			REL. <i>R. Holleyday</i> 1-19-71	SIZE	CODE IDENT NO.	NUMBER
OTHER APPD		DESIGN APPD	B	00779	204544	E
		SCALE	+/-		SHEET	10 F1

CUSTOMER DRAWING