

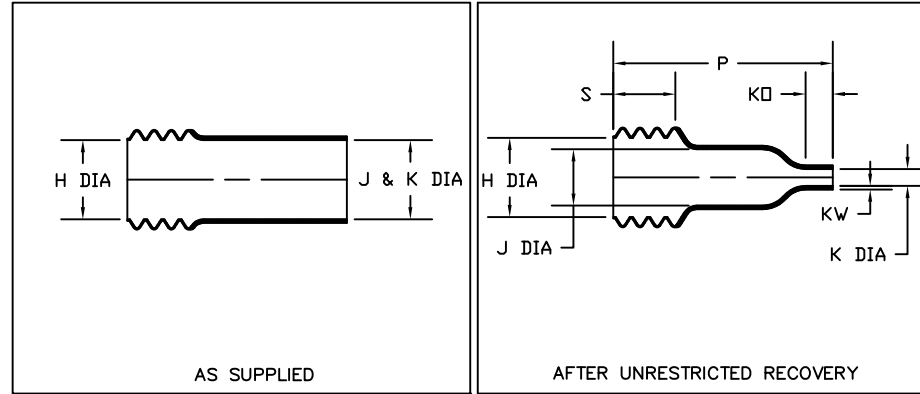
NOTES

- All dimensions are in $\frac{\text{inches}}{\text{[millimeters]}}$
- Dimensions appearing in table are as follows:
 - a - As Supplied
 - b - After Unrestricted Recovery
- Coating is optional. As supplied dimensions appearing in table are for uncoated parts. When coating is added, entry diameters will be reduced by .06 max.

DIMENSIONING AND TOLERANCING PER ASME Y14.5M (ISO STANDARDS)

REVISIONS

LTR	DESCRIPTION	DATE
B	RELEASE PER ECO-12-010857	06/11/2012



ORDERING INFORMATION

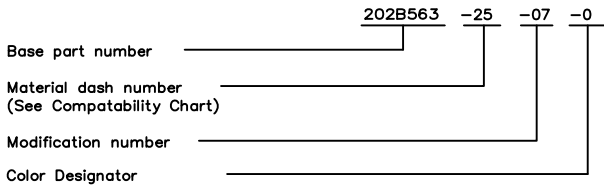


TABLE OF DIMENSIONS

PART NUMBER	H		J		K		P	S	KO	KW
	Min a	±5% b	Min a	Max b	Min a	Max b	±5% b	Ref b	Ref b	±20% b
202B563-X-07	1.69 [42.9]	1.74 [44.2]	1.69 [42.9]	1.33 [33.8]	1.69 [42.9]	.39 [9.9]	4.00 [101.6]	1.34 [34.0]	.45 [11.4]	.08 [2.03]

Raychem Molded Parts
CUSTOMER DRAWING

If this document is printed it becomes uncontrolled. Check for the latest revision

COMPATABILITY CHART

MATERIAL DASH NO.	MATERIAL DESCRIPTION	RT SPEC	COATING SLASH NO.	COATING S NO.	COATING DESCRIPTION
-25	Elastomer, Fluid Resistant	RT-1325			

THIS DRAWING AND THE INFORMATION SET FORTH HEREON ARE THE PROPERTY OF TYCO ELECTRONICS CORPORATION, AND ARE TO BE HELD IN TRUST AND CONFIDENCE. PUBLICATION, DUPLICATION, DISCLOSURE OR USE FOR ANY PURPOSE NOT EXPRESSLY AUTHORIZED IN WRITING BY TYCO ELECTRONICS CORPORATION IS PROHIBITED.

UNLESS OTHERWISE SPECIFIED DIMENSIONS ARE METRIC AND INCHES ARE IN BRACKETS. DECIMAL TOLERANCES XXX ± 0.13 (.005) XX ± 0.25 (.01) X ± 0.50 (.10) ANGLE TOLERANCE .X ± 1 DEG.	DRAWN M Mazariegos 6/05/12	APPROVED D.Hurrell 6/08/12	 TE Connectivity
	RPN		
	CAD FILE: 202B563-X-07_CD		
TYCO ELECTRONICS RESERVES THE RIGHT TO AMEND THIS DRAWING AT ANY TIME. USERS SHOULD EVALUATE THE SUITABILITY OF THE PRODUCT FOR THEIR APPLICATION. © 2011-2012 Tyco Electronics Corporation. All rights reserved.	THIRD ANGLE PROJECTION 	SIZE B	CODE IDENT. NO. 06090
		DWG. NO. 202B563-X-07	SHEET 1 OF 1

DO NOT SCALE THIS DRAWING