

63397-1 ✓ ACTIVE

## MAG-MATE

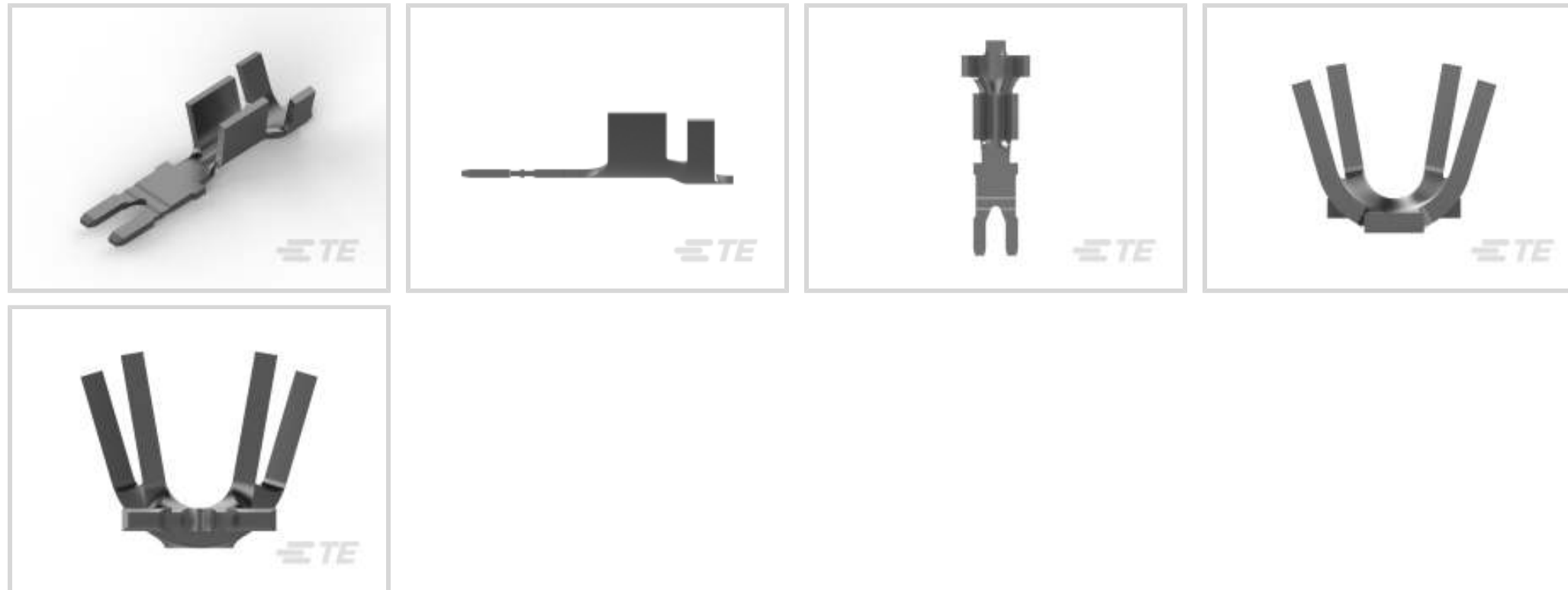
TE Internal #: 63397-1

Magnet Wire Terminals, Poke-In, Lead Wire Size 18 – 14 AWG,  
Lead Wire Size .8 – 2 mm<sup>2</sup>, Insulation Displacement (IDC) / Crimp,  
MAG-MATE

[View on TE.com >](#)



Terminals & Splices > Magnet Wire Terminals



Magnet Wire Terminal Type: **Poke-In**

Compatible Insulation Diameter (Max): **3.56 mm [ .14 in ]**

Compatible Insulation Diameter Range: **2.29 – 3.56 mm [ .09 – .14 in ]**

Lead Wire Size: **.8 – 2 mm<sup>2</sup>**

### Features

#### Product Type Features

Compatible With Discrete Wire Type

Lead Wire

#### Contact Features

Magnet Wire Terminal Type

Poke-In

Terminal Plating Material

Tin

Terminal Orientation

Straight

#### Termination Features

Termination Method to Wire & Cable

Crimp, Insulation Displacement (IDC)

Crimp Area Length

3.68 mm [.145 in]

#### Mechanical Attachment

Wire Insulation Support

With

#### Dimensions

Terminal Height

7.11 mm [.28 in]

Compatible Insulation Diameter (Max)

3.56 mm [.14 in]

Compatible Insulation Diameter Range

2.29 – 3.56 mm [.09 – .14 in]



Lead Wire Size	.8 – 2 mm <sup>2</sup>
Stock Thickness (Magnet Wire Side)	.51 mm[.02 in]
Product Length	19.69 mm[.775 in]

### Usage Conditions

Insulation Option	Uninsulated
-------------------	-------------

### Operation/Application

Compatible With Wire Base Material	Copper
------------------------------------	--------

### Packaging Features

Packaging Quantity	6500
Packaging Method	Reel, Reel/Carton

### Other

Terminals & Splices Comment	Accepts stranded, fused stranded or solid lead wire., Part available upon special request.
-----------------------------	--------------------------------------------------------------------------------------------

## Product Compliance

[For compliance documentation, visit the product page on TE.com>](#)

EU RoHS Directive 2011/65/EU	Compliant
EU ELV Directive 2000/53/EC	Compliant
China RoHS 2 Directive MIIT Order No 32, 2016	No Restricted Materials Above Threshold
EU REACH Regulation (EC) No. 1907/2006	Current ECHA Candidate List: JUNE 2023 (235) Candidate List Declared Against: JUNE 2023 (235) Does not contain REACH SVHC
Halogen Content	Low Halogen - Br, Cl, F, I < 900 ppm per homogenous material. Also BFR/CFR/PVC Free
Solder Process Capability	Not applicable for solder process capability

#### Product Compliance Disclaimer

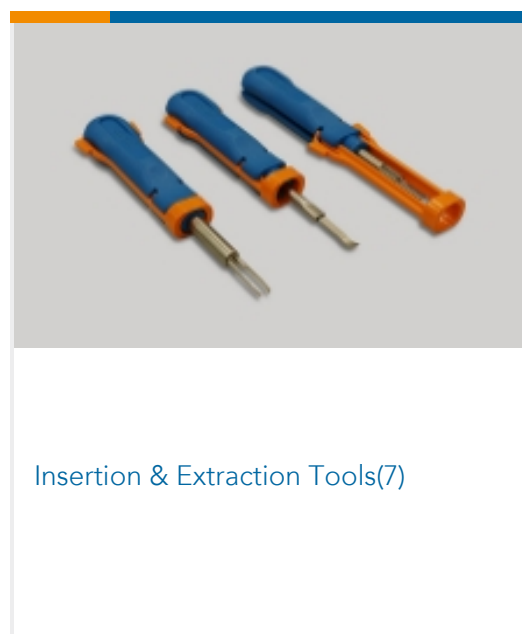
This information is provided based on reasonable inquiry of our suppliers and represents our current actual knowledge based on the information they provided. This information is subject to change. The part numbers that TE has identified as EU RoHS compliant have a maximum concentration of 0.1% by weight in homogenous materials for lead, hexavalent chromium, mercury, PBB, PBDE, DBP, BBP, DEHP, DIBP, and 0.01% for cadmium, or qualify for an exemption to these limits as defined in the Annexes of Directive 2011/65/EU (RoHS2). Finished electrical and electronic equipment products will be CE marked as required by Directive 2011/65/EU. Components may not be CE marked. Additionally, the part numbers that TE has identified as EU ELV compliant have a maximum concentration of 0.1% by weight in homogenous materials for lead, hexavalent chromium, and mercury, and 0.01% for cadmium, or qualify for an exemption to these limits as defined in the Annexes of Directive 2000/53/EC (ELV). Regarding the REACH Regulation, the information TE provides

on SVHC in articles for this part number is based on the latest European Chemicals Agency (ECHA) 'Guidance on requirements for substances in articles' posted at this URL: <https://echa.europa.eu/guidance-documents/guidance-on-reach>

## Compatible Parts



## Also in the Series | MAG-MATE



## Customers Also Bought



TE Part #1-2176071-4  
3521 470K 1% 2W



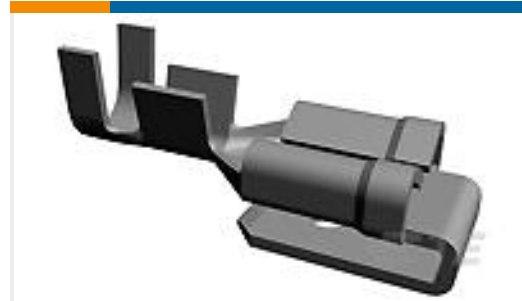
TE Part #5-1971875-3  
PTL 3X3 CAP PANEL MT HITEMP KEY  
A LGR



TE Part #1116062-2  
MJ, 10MM, 8P, BEZEL PNL TABS, SN



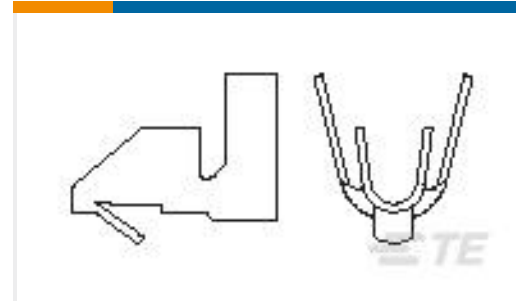
TE Part #61368-1  
250 FASTON REC 24-20 AWG TPBR



TE Part #62026-1  
187 FASTON REC 20-16 AWG TPBR



TE Part #63316-2  
187 FASTON FLAG REC 18-14 AWG  
TPBR



TE Part #3-770565-2  
MINI AMP-IN 22-18 AWG LF



TE Part #1-1437565-7  
FSM1LPA=TACT SWITCH 6X6 MIL SM



TE Part #3-1415899-5  
RZ02-1C4-D012

## Documents

### Product Drawings

[MAG-MATE POKE-IN TAB 0198 TPBR](#)

English

### CAD Files

[3D PDF](#)

3D

Customer View Model

[ENG\\_CVM\\_CVM\\_63397-1\\_M.2d\\_dxf.zip](#)

English

Customer View Model

[ENG\\_CVM\\_CVM\\_63397-1\\_M.3d\\_igs.zip](#)

English

Customer View Model

[ENG\\_CVM\\_CVM\\_63397-1\\_M.3d\\_stp.zip](#)

English

By downloading the CAD file I accept and agree to the [Terms and Conditions](#) of use.

### Datasheets & Catalog Pages



## Magnet Wire Terminals & Splices

English

---

### Product Specifications

#### Application Specification

English

---

### Product Environmental Compliance

#### Product Compliance

English

#### Product Compliance

English

---

### Agency Approvals

#### VDE Certificate

English