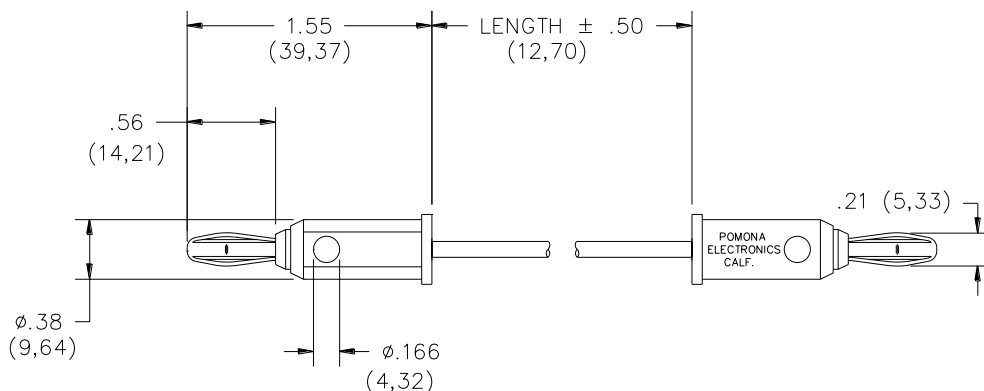


Model 1440 Horizontal Stacking Banana Plug Each End



Features

- Cross Stacking Banana Plugs
- Mates to Model # 1581, 2854 or any standard Banana Jack
- Ideal for providing jumpers or chassis boxes

Materials

Conn: Banana Plug

Material: Spring, Beryllium Copper Berylco 25, per QQ-C-533, Cond. H.T.

Plug Body: Brass, per QQ-B-626, Alloy 360, ½ Hard

Finish: Nickel Plated, per QQ-N-290 Class 2 (.0002/.0003)

Insulation: Polypropylene molded to plug body and wire

Wire: 18 AWG, stranding 65 x 36 t.c., PVC insulated



Ratings (Entire Assembly)

Operating Voltage: Hand-held testing 30 VAC/60 VDC Max.

Hands free testing in controlled voltage environments: 3000 Vrms Max.

Current: 15 Amperes Cont. Contact Res.: Less than .001 Ohms per Banana Plug

Operating Temperature: +55° C (+131° F)

Ordering Information

Model: 1440-XX-*

XX = Cable Lengths, Standard Lengths: 12" (305), 18" (457), 24" (610), 36" (914), 48" (1219) and 60" (1524)

* = Color Code: -0 Black, -2 Red

Ordering Example: 1440-60-2 Indicates 60" in length, color is Red

Additional lengths and colors can be quoted upon request

USA: Sales: 800-490-2361
Technical Support: technicalsupport@pomonatest.com
Europe: 31-(0) 40 2675 150 **International:** 425-446-5500
Where to Buy: www.pomonaelectronics.com

All dimensions are in inches. Tolerances (except noted): .xx = ±.02" (.51 mm), .xxx = ±.005" (.127 mm). All specifications are to the latest revisions. Specifications are subject to change without notice. Registered trademarks are the property of their respective companies.