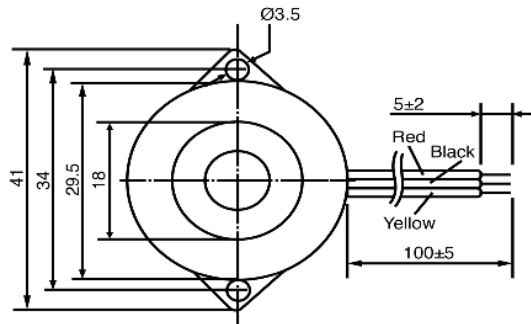
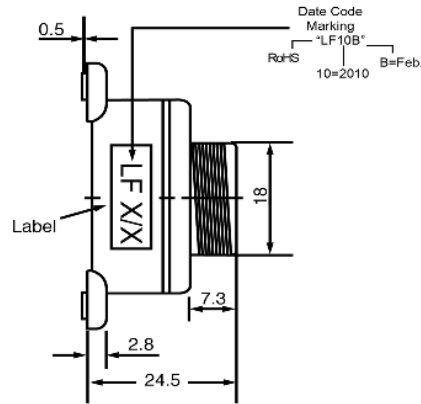


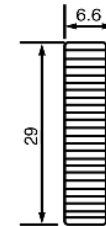
TOP VIEW






SIDE VIEW



NUT



Specifications			Notes	Revision History											
Description	Value	Unit		Version	Description		Date	Approved							
Technology	Piezo		1) All dimensions are in mm unless otherwise noted 2) All parts meet RoHS	1	Released from Engineering		10/21/2013	J.S							
Resonant Frequency	3,200	(Hz)													
Rated Voltage	24	(V)													
SPL @ 10cm	105	(dBA)													
Tone	Dual														
Mount Type	Flange														
Voltage Range	3 ~ 28	(V)													
Max Rated Current	30	(mA)													
Housing Material	ABS														
Operating Temperature	-40 ~ +85	°C													
Storage Temperature	-40 ~ +85	°C													
Weight	15	(g)													
															
											Drawn by	Date	Checked by	Date	Approved by
			A.B.			10/21/2013		C.E.		10/21/2013		J.S		10/21/2013	

Additional considerations can be found at www.dbunlimitedco.com/technical-articles.