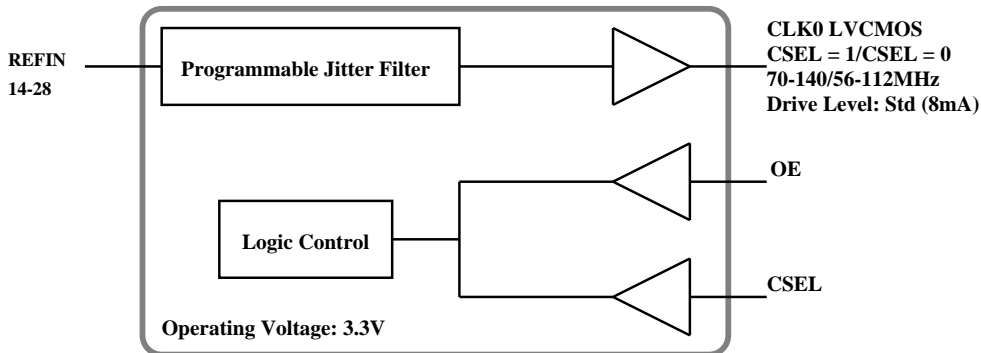


## Layout Configuration

### Block Diagram

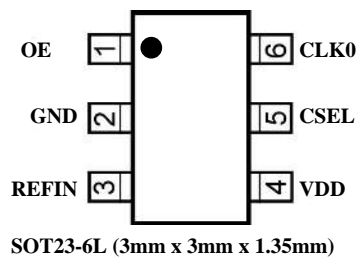


### Ordering Information

Ordering Part Number	Marking	Industrial Temperature Range	Shipping	Package
PL902150USY TR	K2150	-40°C to +85°C	Tape and Reel	SOT23-6L

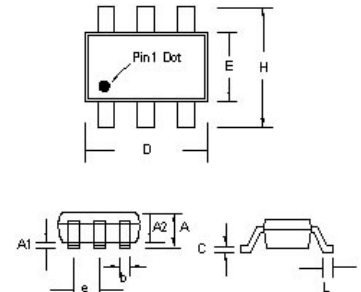
Devices are Green and RoHS compliant. Sample material may have only a partial top mark.

### Pin Configuration and Package Drawing



#### SOT23-6L

Symbol	Dimension in MM	
	Min.	Max.
A	1.05	1.35
A1	0.05	0.15
A2	1.00	1.20
b	0.30	0.50
c	0.08	0.20
D	2.80	3.00
E	1.50	1.70
H	2.60	3.0
L	0.35	0.55
e	0.95 BSC	



### Pin Description

Pin Number	Pin Name	Pin Type	Output Type	Pin Function
1	OE	I	LVC MOS	Output enable control input with pull-up
2	GND	GND	-	Power supply ground
3	REF_IN	I, (SE)	LVC MOS	Reference clock input
4	VDD	PWR	-	Power supply 3.3V
5	CSEL	I	LVC MOS	Configuration select control input with pull-up
6	CLK0	O	LVC MOS	CLK0 output

Please refer to page 10 of [PL902xxx datasheet](#) for usage of this device.