


The MPC9824 is a PLL based clock generator specifically designed for Freescale Microprocessor and Microcontroller applications including the PowerPC and PowerQUICC. This device generates the microprocessor input clock and other microprocessor system and bus clocks at any one of eight output frequencies. These frequencies include 33, 50, 66, 100, 125, 133.33, 166.66 and 200 MHz. The device offers six low skew clock outputs plus the three reference outputs. The clock input reference is 25 MHz and may be derived from an external source or by the addition of a 25 MHz crystal to the on-chip crystal oscillator. The extended temperature range of the MPC9824 supports telecommunication and networking requirements.

### Features


- 6 LVCMOS outputs for processor and other system circuitry
- 3 Buffered 25 MHz reference clock outputs
- Crystal oscillator or external reference input
- 25 MHz Input reference frequency
- Selectable output frequencies = 33.33, 50, 66.66, 100, 125, 133.33, 166.66, or 200 MHz
- Low cycle-to-cycle and period jitter
- Package = 32 lead LQFP
- 3.3 V supply
- Supports computing, networking, telecommunications applications
- Ambient temperature range -40°C to +85°C
- **For functional replacement use 8T49N285A**

**MPC9824**

**MICROPROCESSOR  
CLOCK GENERATOR**



~~**FA SUFFIX  
32-LEAD LQFP PACKAGE  
CASE 873A-04**~~



**AC SUFFIX  
32-LEAD LQFP PACKAGE  
Pb-FREE PACKAGE  
CASE 873A-04**

### Functional Description

The MPC9824 uses a PLL with a 25 MHz input reference frequency to generate a single bank of 6 configurable LVCMOS output clocks. The output frequency of this bank is configurable by three FSEL pins. The 25 MHz reference may be either an external frequency source or a 25 MHz crystal. The 25 MHz crystal is directly connected to the XTAL\_IN and XTAL\_OUT pins with no additional components required. An external reference may be applied to the XTAL\_IN pin with the XTAL\_OUT pin left floating. The input reference, whether provided by a crystal or an external input is also directly buffered to a second bank of 3 LVCMOS outputs. These outputs may be used as the clock source for processor I/O applications such as an Ethernet PHY.

The MPC9824 is packaged in a 32 lead LQFP package.

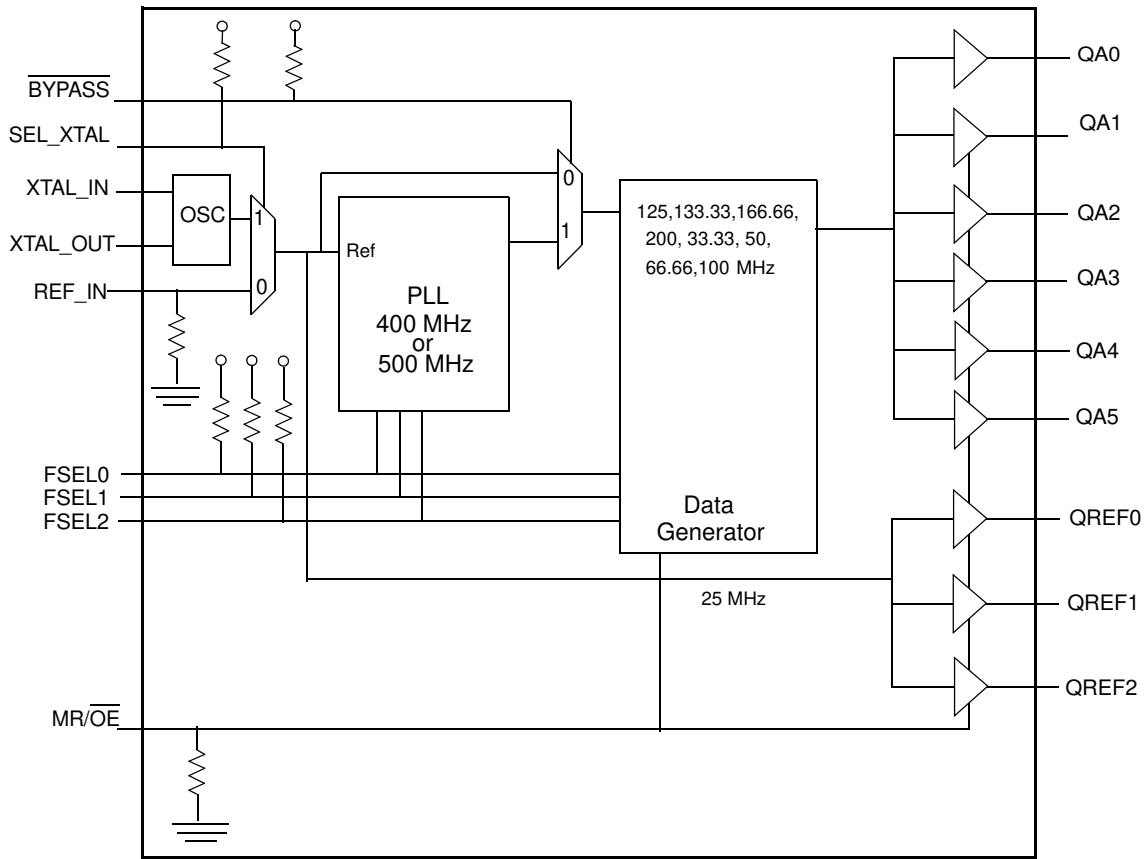


Figure 1. MPC9824 Logic Diagram

Table 1. Pin configuration

| Pin                            | I/O    | Type    | Function                                                    |
|--------------------------------|--------|---------|-------------------------------------------------------------|
| QA0, QA1, QA2<br>QA3, QA4, QA5 | Output | LVC MOS | Clock Outputs                                               |
| QREF0, QREF1,<br>QREF2         | Output | LVC MOS | Reference Output (25 MHz)                                   |
| XTAL_IN                        | Input  | LVC MOS | Crystal Oscillator Input Pin                                |
| XTAL_OUT                       | Output | LVC MOS | Crystal Oscillator Output Pin                               |
| REF_IN                         | Input  | LVC MOS | External Reference Input (internal pull-down)               |
| SEL_XTAL                       | Input  | LVC MOS | Selects between XTAL or External Source (internal pull-up)  |
| FSEL0<br>FSEL1<br>FSEL2        | Input  | LVC MOS | Configures Bank A Clock Output Frequency (internal pull-up) |
| $\overline{\text{BYPASS}}$     | Input  | LVC MOS | Test Mode to Bypass PLL (active low, internal pull-up)      |
| $\overline{\text{MR/OE}}$      | Input  | LVC MOS | Master Reset (internal pull-down)                           |
| $V_{\text{DDA}}$               |        |         | Analog Supply, An external filter is recommended            |
| $V_{\text{DD}}$                | —      | —       | 3.3 V Supply                                                |
| GND                            | —      | —       | Ground                                                      |

Table 2. FSEL Function Table

| FSEL0 | FSEL1 | FSEL2 | VCO Frequency | Output Frequency |
|-------|-------|-------|---------------|------------------|
| 0     | 0     | 0     | 400           | 33.33 MHz        |
| 0     | 0     | 1     | 400           | 66.66 MHz        |
| 0     | 1     | 0     | 400           | 50 MHz           |
| 0     | 1     | 1     | 400           | 100 MHz          |
| 1     | 0     | 0     | 500           | 125 MHz          |
| 1     | 0     | 1     | 500           | 166.66 MHz       |
| 1     | 1     | 0     | 400           | 133.33 MHz       |
| 1     | 1     | 1     | 400           | 200 MHz          |

Table 3. Function Table

| Control                    | 0                  | 1                |
|----------------------------|--------------------|------------------|
| SEL_XTAL                   | External Reference | Crystal Input    |
| $\overline{\text{BYPASS}}$ | PLL Bypassed       | Normal Operation |
| $\overline{\text{MR/OE}}$  | Normal             | Reset            |

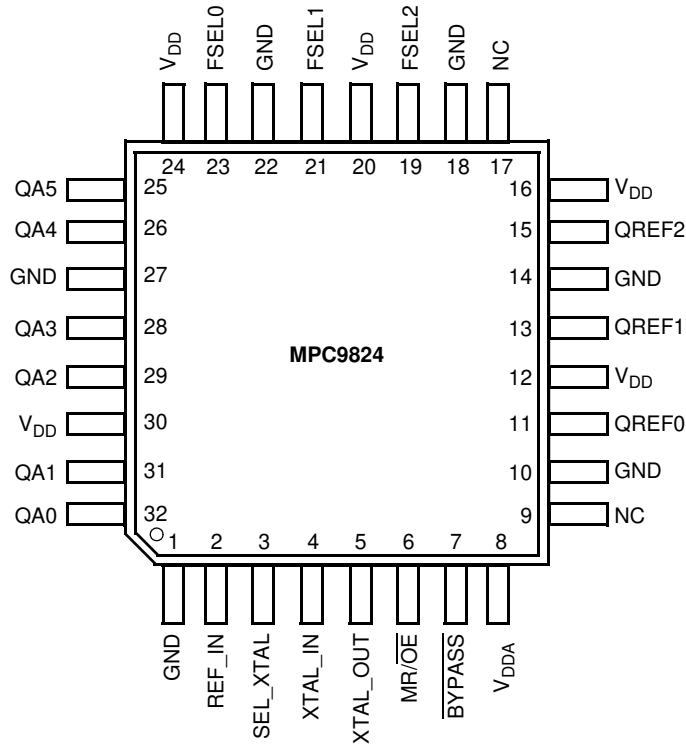


Figure 2. MPC9824 32-Lead LQFP Package Pinout (Top View)

**MPC9824 OPERATION**

**Crystal Oscillator**

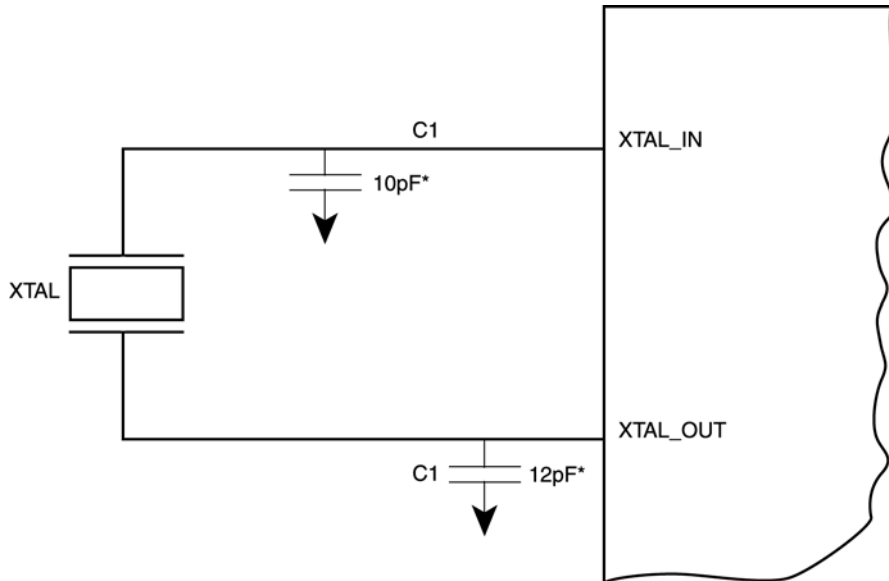
The MPC9824 features a fully integrated Pierce oscillator to minimize system implementation costs. The MPC9824 may be operated with a 25 MHz crystal without other components. For operation without external components, the crystal selection should be of a 25 MHz parallel resonant type with a load specification of  $CL = 10\text{ pF}$ . See Table 4 for complete crystal specifications.

If more precise frequency control is desired, the addition of capacitors from each of the XTAL\_IN and XTAL\_OUT pins to ground may be used to trim the frequency as shown in Figure 3. In this case the recommended crystal should have a  $CL = 18\text{ pF}$ .

In either case the crystal should be located as close to the MPC9824 XTAL\_IN and XTAL\_OUT pins as possible to minimize any board level parasitic capacitance.

**Table 4. Crystal Specifications**

| Parameter                          | Value              | Value (with trim caps) |
|------------------------------------|--------------------|------------------------|
| Crystal Cut                        | Fundamental AT Cut | Fundamental AT Cut     |
| Resonance                          | Parallel Resonance | Parallel Resonance     |
| Shunt Capacitance ( $C_0$ )        | 5–7 pF             | 5–7 pF                 |
| Load Capacitance ( $C_L$ )         | 18 pF              | 18 pF                  |
| Equivalent Series Resistance (ESR) | 20–50 $\Omega$     | 20–50 $\Omega$         |



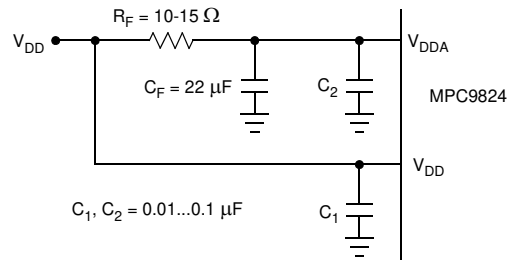
**Figure 3 Crystal with Trim Caps**

\*NOTE: These are recommended values and are subject to change due to specific crystal parameter and board layout. Refer to ICS Application Notes for further information on the crystal selection.

**Power-Supply Bypassing**

The MPC9824 should have all  $V_{DD}$  pins bypassed with  $0.01\text{ }\mu\text{F}$  capacitors and a minimum of one  $1.0\text{ }\mu\text{F}$  capacitor for the overall package. All capacitors should be located as close to the package as possible.

An external RC filter from  $V_{DD}$  to  $V_{DDA}$  is recommended as shown in Figure 4.



**Figure 4. Power Supply Filter**

**Table 5. Absolute Maximum Ratings<sup>(1)</sup>**

| Symbol           | Characteristics     | Min  | Max | Unit | Condition |
|------------------|---------------------|------|-----|------|-----------|
| V <sub>DD</sub>  | Supply Voltage      | -0.3 | 3.8 | V    |           |
| I <sub>IN</sub>  | DC Input Current    |      | ±20 | mA   |           |
| I <sub>OUT</sub> | DC Output Current   |      | ±75 | mA   |           |
| T <sub>S</sub>   | Storage Temperature | -65  | 125 | °C   |           |

1. Absolute maximum continuous ratings are those maximum values beyond which damage to the device may occur. Exposure to these conditions or conditions beyond those indicated may adversely affect device reliability. Functional operation at absolute-maximum-rated conditions is not implied.

**Table 6. General Specifications**

| Symbol                            | Characteristics                   | Min  | Typ                 | Max | Unit | Condition  |
|-----------------------------------|-----------------------------------|------|---------------------|-----|------|------------|
| V <sub>TT</sub>                   | Output Termination Voltage        |      | V <sub>DD</sub> ÷ 2 |     | V    |            |
| MM                                | ESD Protection (Machine model)    | 200  |                     |     | V    |            |
| HBM                               | ESD Protection (Human body model) | 2000 |                     |     | V    |            |
| LU                                | Latch-Up Immunity                 | 200  |                     |     | mA   |            |
| C <sub>IN</sub>                   | Input Capacitance                 |      | 4                   |     | pF   | Inputs     |
| T <sub>C</sub>                    | Ambient Temperature               | -40  |                     | 85  | °C   |            |
| C <sub>PD</sub>                   | Power Dissipation Capacitance     |      | 10                  |     | pF   | Per output |
| R <sub>PU</sub> , R <sub>PD</sub> | Pull-up/Pull-down Resistance      |      |                     | 75  | KΩ   |            |

**Table 7. DC Characteristics** (V<sub>DD</sub> = 3.3 V ± 5%, T<sub>A</sub> = -40°C to +85°C)

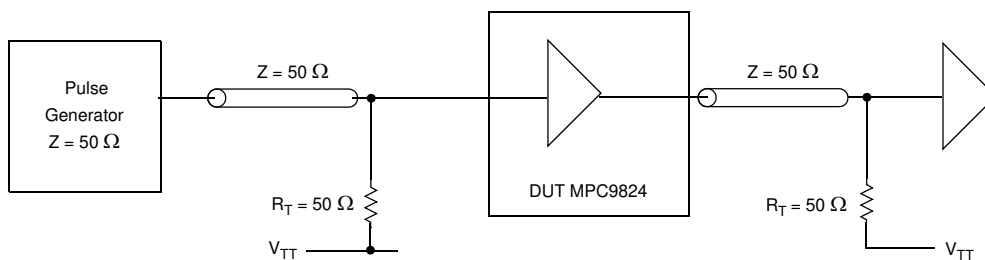
| Symbol           | Characteristics                  | Min | Typ | Max                   | Unit | Condition                                |
|------------------|----------------------------------|-----|-----|-----------------------|------|------------------------------------------|
| V <sub>IH</sub>  | Input High Voltage (xtal_in)     | 2.4 |     | V <sub>DD</sub> + 0.3 | V    | Input threshold = V <sub>DD</sub> /2     |
| V <sub>IH</sub>  | Input High Voltage               | 2.0 |     | V <sub>DD</sub> + 0.3 | V    |                                          |
| V <sub>IL</sub>  | Input Low Voltage                |     |     | 0.8                   | V    | LVC MOS                                  |
| I <sub>IN</sub>  | Input Current <sup>(1)</sup>     |     |     | ±150                  | μA   | V <sub>IN</sub> = V <sub>DD</sub> or GND |
| V <sub>OH</sub>  | Output High Voltage              | 2.4 |     |                       | V    | I <sub>OH</sub> = -12 mA                 |
| V <sub>OL</sub>  | Output Low Voltage               |     |     | 0.4                   | V    | I <sub>OL</sub> = 12 mA                  |
| Z <sub>OUT</sub> | Output Impedance                 |     | 14  |                       | Ω    |                                          |
| I <sub>DD</sub>  | Maximum Quiescent Supply Current |     |     | 3.5                   | mA   | V <sub>DD</sub> pins, output not loaded  |
| I <sub>DDA</sub> | Maximum Quiescent Supply Current |     |     | 6.5                   | mA   | V <sub>DDA</sub> pins, output not loaded |

1. Inputs have pull-down or pull-down resistors affecting the input current.

**Table 8. AC Characteristics** ( $V_{DD} = 3.3\text{ V} \pm 5\%$ ,  $T_A = -40^\circ\text{C}$  to  $+85^\circ\text{C}$ ) <sup>(1)</sup>

| Symbol                                | Characteristics                                                                                                                                                                                                                                                                            | Min | Typ                                                                 | Max      | Unit       | Condition   |
|---------------------------------------|--------------------------------------------------------------------------------------------------------------------------------------------------------------------------------------------------------------------------------------------------------------------------------------------|-----|---------------------------------------------------------------------|----------|------------|-------------|
| Input and Output Timing Specification |                                                                                                                                                                                                                                                                                            |     |                                                                     |          |            |             |
| $f_{ref}$                             | Input Reference Frequency (25 MHz input)<br>XTAL Input                                                                                                                                                                                                                                     |     | 25<br>25                                                            |          | MHz<br>MHz |             |
| $f_{VCO}$                             | VCO Frequency Range<br>FSEL0, FSEL1, FSEL2 = 000,001,<br>010,011,110,111<br>FSEL0, FSEL1, FSEL2 = 100,101                                                                                                                                                                                  |     | 400<br>500                                                          |          | MHz        |             |
| $f_{MCX}$                             | Output Frequency (QAx)<br>FSEL0, FSEL1, FSEL2 = 000<br>FSEL0, FSEL1, FSEL2 = 001<br>FSEL0, FSEL1, FSEL2 = 010<br>FSEL0, FSEL1, FSEL2 = 011<br>FSEL0, FSEL1, FSEL2 = 100<br>FSEL0, FSEL1, FSEL2 = 101<br>FSEL0, FSEL1, FSEL2 = 110<br>FSEL0, FSEL1, FSEL2 = 111<br>Output Frequency (QREFx) |     | 33.33<br>66.66<br>50<br>100<br>125<br>166.66<br>133.33<br>200<br>25 |          | MHz        | PLL locked  |
| DC                                    | Output Duty Cycle                                                                                                                                                                                                                                                                          | 45  | 50                                                                  | 55       | %          |             |
| $f_{out}$                             | Output Frequency Accuracy<br>Crystal <sup>(2)</sup><br>External Reference                                                                                                                                                                                                                  | 0   |                                                                     | 100<br>0 | ppm<br>ppm |             |
| PLL Specifications                    |                                                                                                                                                                                                                                                                                            |     |                                                                     |          |            |             |
| BW                                    | PLL Closed Loop Bandwidth <sup>(3)</sup>                                                                                                                                                                                                                                                   |     | 500                                                                 |          | kHz        |             |
| $t_{LOCK}$                            | Maximum PLL Lock Time                                                                                                                                                                                                                                                                      |     |                                                                     | 10       | ms         |             |
| Skew and Jitter Specifications        |                                                                                                                                                                                                                                                                                            |     |                                                                     |          |            |             |
| $t_{sk(O)}$                           | Output-to-Output Skew                                                                                                                                                                                                                                                                      |     |                                                                     | 100      | ps         | within bank |
| $t_{JIT(CC)}$                         | Cycle-to-Cycle Jitter                                                                                                                                                                                                                                                                      |     |                                                                     | 100      | ps         | QA output   |
| $t_{JIT(PER)}$                        | Period Jitter                                                                                                                                                                                                                                                                              |     |                                                                     | 75       | ps         | QA output   |
| $t_{JIT(\emptyset)}$                  | I/O Phase Jitter, RMS                                                                                                                                                                                                                                                                      |     |                                                                     | 30       | ps         |             |
| $t_r, t_f$                            | Output Rise/Fall Time                                                                                                                                                                                                                                                                      |     |                                                                     | 750      | ps         | 20% to 80%  |
| $t_{JIT}$                             | Phase Noise Jitter, RMS; 25MHz,<br>Integration Range: 1.875MHz - 20MHz                                                                                                                                                                                                                     |     |                                                                     | 2.5      | ps         | QREF pin    |

1. AC characteristics apply for parallel output termination of  $50\Omega$  to  $V_{TT}$ .
2. Based upon recommended crystal specifications and tune-in capacitors as outlined in operation section..
3. dB point of PLL transfer characteristics.



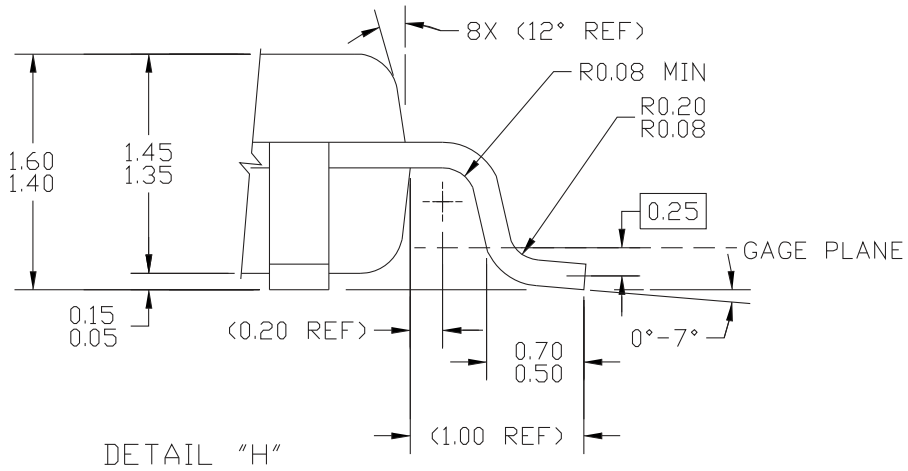
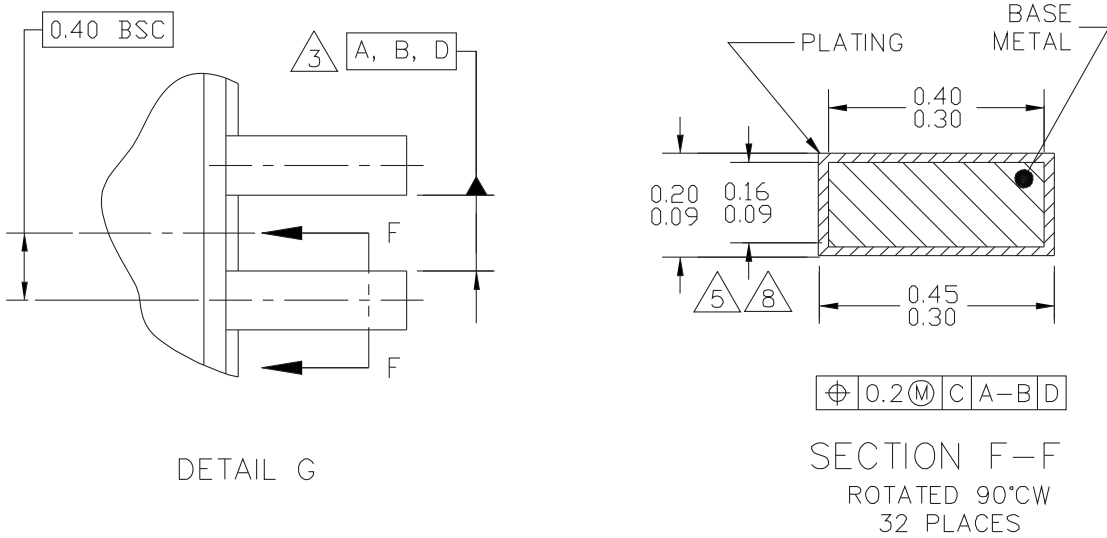
**Figure 5. MPC9824 AC Test Reference (LVCMOS Outputs)**

RELIABILITY INFORMATION

Table 9.  $\theta_{JA}$  vs. Air Flow Table for 32 Lead LQFP

| $\theta_{JA}$ BY VELOCITY (LINEAR FEET PER MINUTE)                                                                  |          |          |          |
|---------------------------------------------------------------------------------------------------------------------|----------|----------|----------|
|                                                                                                                     | 67.8°C/W | 55.9°C/W | 50.1°C/W |
|                                                                                                                     | 47.9°C/W | 42.1°C/W | 39.4°C/W |
|                                                                                                                     | 0        | 200      | 500      |
| Single-Layer PCB, JEDEC Standard Test Boards                                                                        |          |          |          |
| Multi-Layer PCB, JEDEC Standard Test Boards                                                                         |          |          |          |
| <b>NOTE: Most modern PCB designs use multi-layered boards. The data in the second row pertains to most designs.</b> |          |          |          |

PACKAGE DIMENSIONS



|                                                                                 |                            |                            |  |
|---------------------------------------------------------------------------------|----------------------------|----------------------------|--|
| © FREESCALE SEMICONDUCTOR, INC.<br>ALL RIGHTS RESERVED.                         | MECHANICAL OUTLINE         | PRINT VERSION NOT TO SCALE |  |
| TITLE:<br>LOW PROFILE QUAD FLAT PACK (LQFP)<br>32 LEAD, 0.8 PITCH (7 X 7 X 1.4) | DOCUMENT NO: 98ASH70029A   | REV: C                     |  |
|                                                                                 | CASE NUMBER: 873A-04       | 01 APR 2005                |  |
|                                                                                 | STANDARD: JEDEC MS-026 BBA |                            |  |

**CASE 873A-04  
ISSUE C  
32-LEAD LQFP PACKAGE**



**PACKAGE DIMENSIONS**

NOTES:

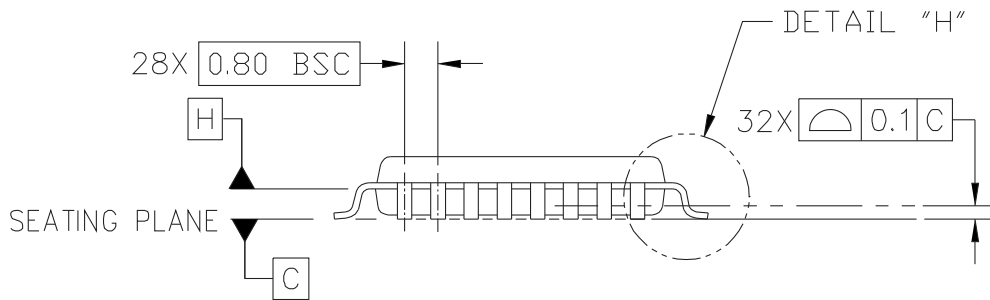
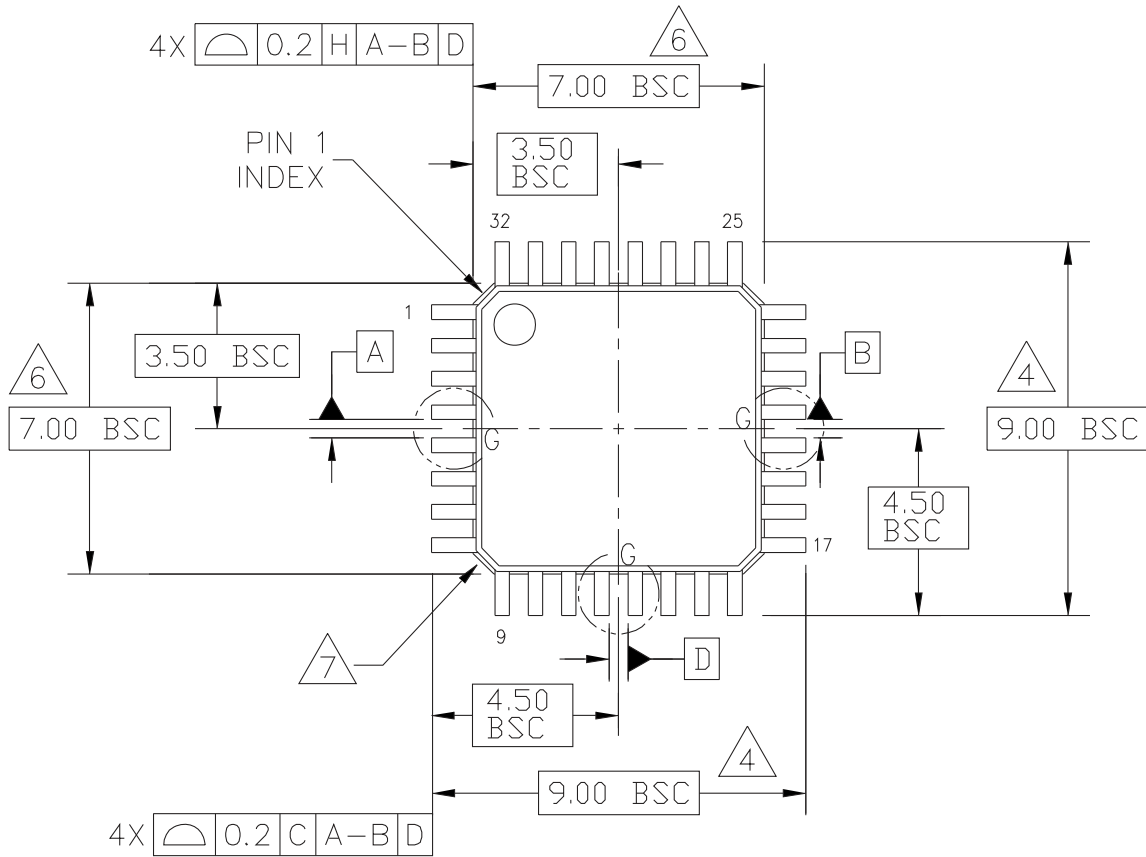
1. DIMENSIONS ARE IN MILLIMETERS.
2. INTERPRET DIMENSIONS AND TOLERANCES PER ASME Y14.5-1994.
3. DATUMS A, B, AND D TO BE DETERMINED AT DATUM PLANE H.
4. DIMENSIONS TO BE DETERMINED AT SEATING PLANE DATUM C.
5. DIMENSION DOES NOT INCLUDE DAMBAR PROTRUSION. ALLOWABLE DAMBAR PROTRUSION SHALL NOT CAUSE THE LEAD WIDTH TO EXCEED THE MAXIMUM DIMENSION BY MORE THAN 0.08 MM. DAMBAR CANNOT BE LOCATED ON THE LOWER RADIUS OR THE FOOT. MINIMUM SPACE BETWEEN PROTRUSION AND ADJACENT LEAD OR PROTRUSION: 0.07 MM.
6. DIMENSIONS DO NOT INCLUDE MOLD PROTRUSION. ALLOWABLE PROTRUSION IS 0.25 MM PER SIDE. DIMENSIONS ARE MAXIMUM PLASTIC BODY SIZE DIMENSIONS INCLUDING MOLD MISMATCH.
7. EXACT SHAPE OF EACH CORNER IS OPTIONAL.
8. THESE DIMENSIONS APPLY TO THE FLAT SECTION OF THE LEAD BETWEEN 0.1 MM AND 0.25 MM FROM THE LEAD TIP.

|                                                                                 |                            |                            |  |
|---------------------------------------------------------------------------------|----------------------------|----------------------------|--|
| © FREESCALE SEMICONDUCTOR, INC.<br>ALL RIGHTS RESERVED.                         | MECHANICAL OUTLINE         | PRINT VERSION NOT TO SCALE |  |
| TITLE:<br>LOW PROFILE QUAD FLAT PACK (LQFP)<br>32 LEAD, 0.8 PITCH (7 X 7 X 1.4) | DOCUMENT NO: 98ASH70029A   | REV: C                     |  |
|                                                                                 | CASE NUMBER: 873A-04       | 01 APR 2005                |  |
|                                                                                 | STANDARD: JEDEC MS-026 BBA |                            |  |

PAGE 3 OF 3

**CASE 873A-04  
ISSUE C  
32-LEAD LQFP PACKAGE**

PACKAGE DIMENSIONS



|                                                                                 |                            |                            |  |
|---------------------------------------------------------------------------------|----------------------------|----------------------------|--|
| © FREESCALE SEMICONDUCTOR, INC.<br>ALL RIGHTS RESERVED.                         | MECHANICAL OUTLINE         | PRINT VERSION NOT TO SCALE |  |
| TITLE:<br>LOW PROFILE QUAD FLAT PACK (LQFP)<br>32 LEAD, 0.8 PITCH (7 X 7 X 1.4) | DOCUMENT NO: 98ASH70029A   | REV: C                     |  |
|                                                                                 | CASE NUMBER: 873A-04       | 01 APR 2005                |  |
|                                                                                 | STANDARD: JEDEC MS-026 BBA |                            |  |

**CASE 873A-04  
ISSUE C  
32-LEAD LQFP PACKAGE**

## Revision History Sheet

| Rev | Table | Page | Description of Change                                                                    | Date      |
|-----|-------|------|------------------------------------------------------------------------------------------|-----------|
| 2   |       | 1    | NRND – Not Recommend for New Designs                                                     | 2/15/2013 |
| 2   |       | 1    | Removed NRND.                                                                            | 5/5/15    |
| 2   |       | 1    | Product Discontinuation Notice - Last time buy expires September 7, 2016.<br>PDN N-16-02 | 3/16/16   |



## IMPORTANT NOTICE AND DISCLAIMER

RENESAS ELECTRONICS CORPORATION AND ITS SUBSIDIARIES (“RENESAS”) PROVIDES TECHNICAL SPECIFICATIONS AND RELIABILITY DATA (INCLUDING DATASHEETS), DESIGN RESOURCES (INCLUDING REFERENCE DESIGNS), APPLICATION OR OTHER DESIGN ADVICE, WEB TOOLS, SAFETY INFORMATION, AND OTHER RESOURCES “AS IS” AND WITH ALL FAULTS, AND DISCLAIMS ALL WARRANTIES, EXPRESS OR IMPLIED, INCLUDING, WITHOUT LIMITATION, ANY IMPLIED WARRANTIES OF MERCHANTABILITY, FITNESS FOR A PARTICULAR PURPOSE, OR NON-INFRINGEMENT OF THIRD PARTY INTELLECTUAL PROPERTY RIGHTS.

These resources are intended for developers skilled in the art designing with Renesas products. You are solely responsible for (1) selecting the appropriate products for your application, (2) designing, validating, and testing your application, and (3) ensuring your application meets applicable standards, and any other safety, security, or other requirements. These resources are subject to change without notice. Renesas grants you permission to use these resources only for development of an application that uses Renesas products. Other reproduction or use of these resources is strictly prohibited. No license is granted to any other Renesas intellectual property or to any third party intellectual property. Renesas disclaims responsibility for, and you will fully indemnify Renesas and its representatives against, any claims, damages, costs, losses, or liabilities arising out of your use of these resources. Renesas' products are provided only subject to Renesas' Terms and Conditions of Sale or other applicable terms agreed to in writing. No use of any Renesas resources expands or otherwise alters any applicable warranties or warranty disclaimers for these products.

(Disclaimer Rev.1.0 Mar 2020)

### Corporate Headquarters

TOYOSU FORESIA, 3-2-24 Toyosu,  
Koto-ku, Tokyo 135-0061, Japan  
[www.renesas.com](http://www.renesas.com)

### Contact Information

For further information on a product, technology, the most up-to-date version of a document, or your nearest sales office, please visit:  
[www.renesas.com/contact/](http://www.renesas.com/contact/)

### Trademarks

Renesas and the Renesas logo are trademarks of Renesas Electronics Corporation. All trademarks and registered trademarks are the property of their respective owners.