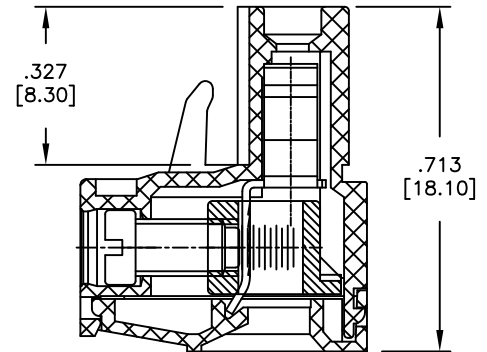
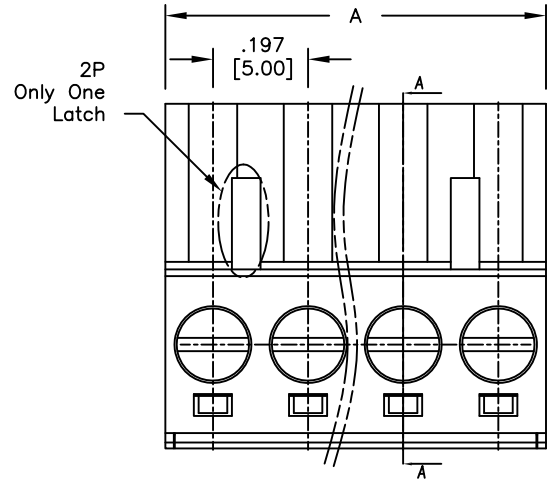


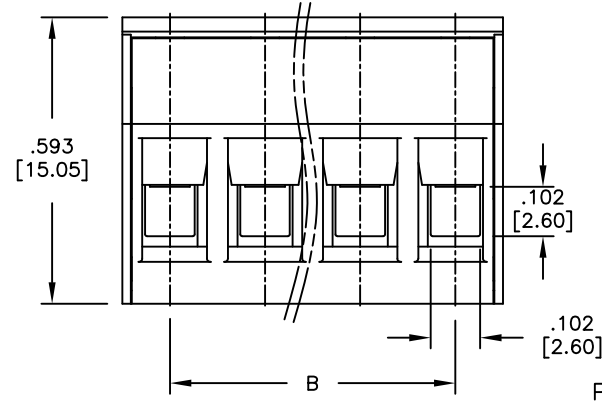
APPROVED: _____

DATE: _____ TITLE: _____

Rev	AWO #	Description	Date	Appr
-		RELEASED	8/2/13	
A		UPDATE DRAWING	7/9/18	AY/KC



SECTION A-A



SPECIFICATIONS:
 Material:
 Insulator: PA66, rated UL 94V-0
 Insulator color: Green
 Cage: Brass, Nickel plated
 Screw: Steel, M3.0/Zinc plated
 Clamp: Phosphor Bronze, Nickel plated
 Electrical:
 Voltage rated: 300V
 Current rated: 15A
 Contact resistance: 20 mΩ
 Insulation resistance: 500 MΩ @ 500 VDC
 Withstanding voltage: 2000V AC/1 Min
 Mechanical:
 Solid wire: 28-14AWG 1.5mm²
 Torque (Lb-In): 0.5Nm (4.5lb-in)
 Strip length: 7-8mm
 Temperature Rating:
 -40°C to +105°C
 Environmental:
 Lead free, RoHS compliant.



Poles: 2 thru 24
 A = .197 [5.00] x No. of Poles
 B = .197 [5.00] x No. of (Poles - 1)

UNLESS OTHERWISE SPECIFIED ALL DIMENSIONS ARE INCHES [MM] TOLERANCES: EXCEPT AS NOTED			
INCHES		HOLES	
.X ± .10	∅.X ± .10		
.XX ± .020	∅.XX ± .015		
.XXX ± .015	∅.XXX ± .010		
APPROVALS		DATE	
DRAWN	AY	8/2/13	
CHECKED	NP	8/2/13	
APPROVED			

ADAM TECH
INTERCONNECTS
 909 Rahway Avenue,
 Union, NJ 07083
 Phone: 908-687-5000
 Fax: 908-687-5710

TITLE .197 [5.00] TERMINAL BLOCK, SLOTTED SCREW			
SIZE X	PART NO. EBHA-XX-C	REV. A	
REF: S00067C	SCALE: NTS	SHEET 1 OF 1	

6

5

4

3

2

1

D

D

C

C

B

B

A

A

6

5

4

3

2

1