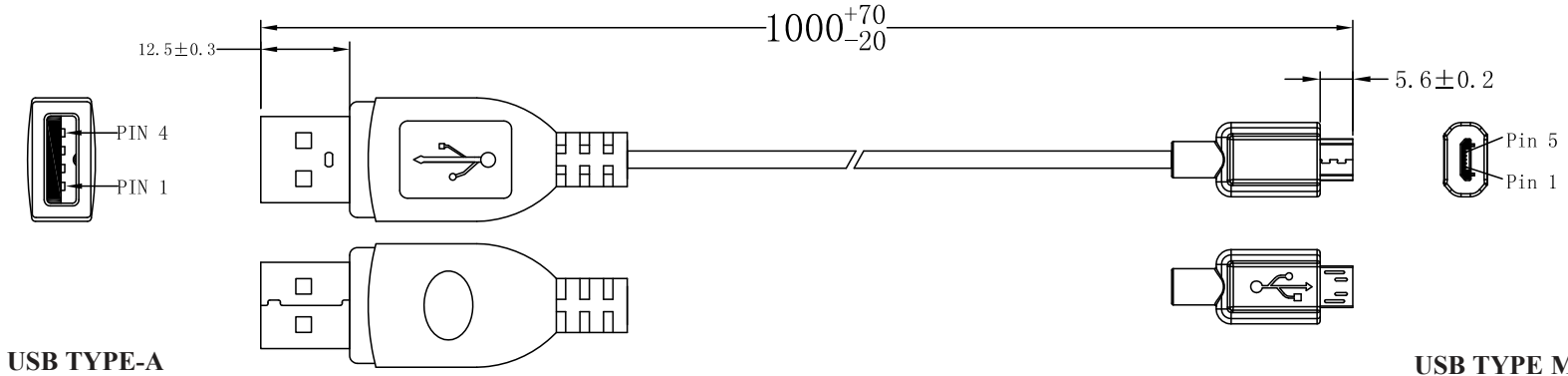


PROPRIETARY INFORMATION:
 PROPRIETARY OF GLOBTEK, INC. ANY REPRODUCTION, DISCLOSURE OR
 USE OF THIS DRAWING, IN WHOLE OR IN PART, IS HEREBY
 PROHIBITED EXCEPT AS SPECIFIED IN WRITING BY GLOBTEK, INC.

REVISION			
REV	DESCRIPTION	DATE	APPROVED
A	INITIAL RELEASE, RFS. 26093, BS	10/19/15	HM
B	ADD COIL DRAWING, RFS. 26108, BS	10/30/15	HM

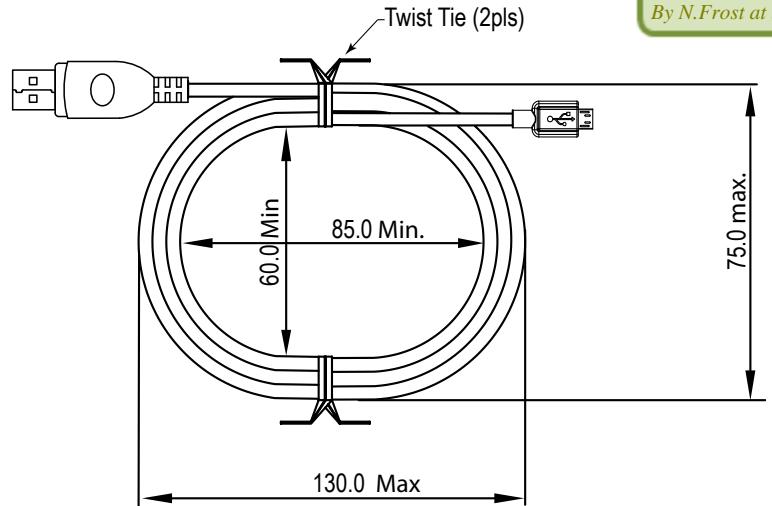


USB TYPE-A


USB TYPE MICRO-B

RELEASED
 By N.Frost at 3:00 pm, Oct 30, 2015

USB TYPE A	MICRO USB-B
1 — RED	1 #22*1C
2 — WHITE	2 } #28*1P
3 — GREEN	3 }
4 — BLACK	4 NO CONNECT
5 — DRAIN + BRAID	5 #22*1C
SHELL	SHELL



TITLE	DESCRIPTION
HEAT SHRINK TUBE	O.D. 0.8, COLOR: BLACK
CONNECTOR SHELL	NICKEL PLATED STEEL
CONNECTOR SHELL	NICKEL PLATED STEEL
CABLE	UL2725 BLACK 28 AWG TWISTED PAIR + 2X 22 AWG, SHIELDED
USB TYPE A PLUG	CONTACT GOLD PLATED 30u"
USB MICRO B PLUG	CONTACT GOLD PLATED 30u"
TEST	MEASURE PIN 5 TO SHELL <2 OHM

DASH NO.	PART NO	REV.	DESCRIPTION	NOTES
TABULATION BLOCK				
		TOLERANCES: DECIMALS ANGULAR .xx +/- 0.1 +/- 1° .xxx +/- .005		 GlobTek, Inc. 186 Veterans Dr. Northvale, NJ 07647 Tel. 201-784-1000 Fax 201.784.0111 www.globtek.com
		MILLIMETERS ANGULAR .xx +/- 0.3 +/- 1° .xxx +/- .013		
INIT.BY: BS	DATE: 10/19/15	DWG TITLE: DETACHABLE USB CORD USB TYPE-A TO USB TYPE MICRO-B		REV. B
DRAWN: NF	DATE: 10/19/15	FSCN No.: G, CC	SIZE A	
APRVD: HM	DATE: 10/19/15	SCALE: NONE	PART NO: USBA1M0MICROB-CHG(R)	SHEET 1/1

Foot Note:
 Globtek Inc. will not be liable for the safety and performance of these power product if unauthorized access and repair occurs. End user should consult the applicable UL, CSA or EN Standards for proper installation instruction.

Limitation of Use:
 Globtek product are not authorized for use as mission critical components in life support, hazardous environment, nuclear or aircraft applications without prior written approval from the CEO of Globtek Inc.

Contents of this document are subject to change without prior notice