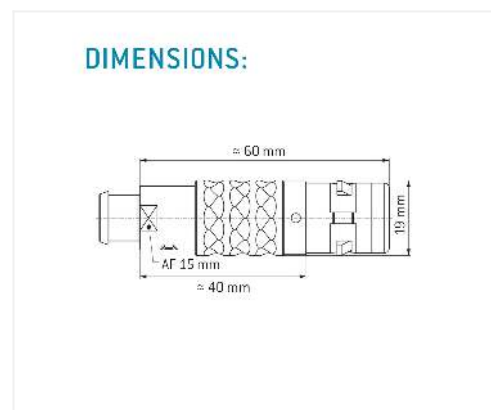
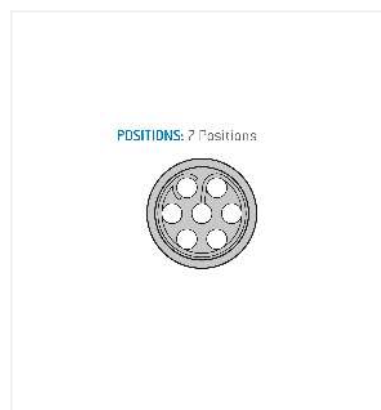


### General information

Part number	S23K0C-P07MSN0-750S
Termination	solder
Size	3
Locking principle	push
Coding	0_key
Cable Diameter	cable_mini_75
Cable outlet	bend_relief



### Contact insert description

Number of contacts	7
Contact type	pins
Contact diameter	16mm
Insulator material	peek
Wire cross section	18_awg
Termination	solder
Termination diameter	14mm

reverse\_gender\_on\_request

### Technical information

Max. creepage and air clearance distance	15_mm	13_mm
Nominal current single contact	16_a	iec_60512_5_2
Nominal current insert	10,4 A	vde_0298_4
Test voltage	18_kv_ac	sae_13441

safety\_text

## Mechanical and environmental data

Degree of protection*	ip68
Operating temperature	40_120_c
Mating cycles	5000

mated

## Material and surface treatments

Housing	m_chrome
Contact	cu_alloy_gold

safety\_text\_2  
ul\_text  
illustrative\_text