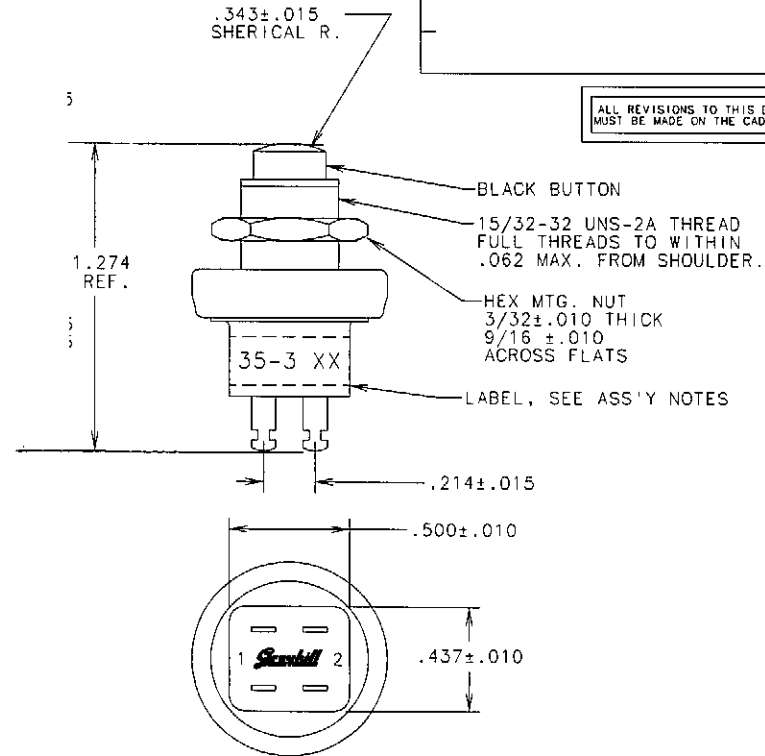


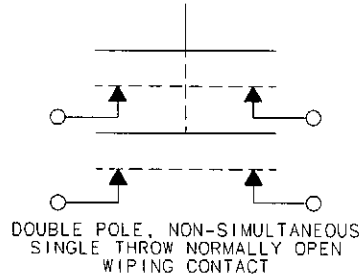
ENG210C

E
36



GRAYHILL STANDARD 35-3.

CIRCUIT DIAGRAM



UNLESS OTHERWISE SPECIFIED TOLERANCES
AND DIMENSIONS ARE IN INCHES
LINEAR ± / DIAMETERS ± /
ANGULAR ± /
LIMITS APPLY BEFORE FINISHING
DO NOT SCALE THIS PRINT

CRITICAL CHARACTERISTIC FLAGS
PER GRAYHILL SPEC. SOP2338

- △ -- CRITICAL CHARACTERISTIC FLAG
- -- Cpk REQUIRED
- ⊠ -- S.P.C. FLAG (CONTROL CHART
REQ'D ON FEATURE SPECIFIED)

APPROVED DATE	WLF 11-15-56
CHECKED DATE	WLF 11-15-56
DRAWN DATE	TJO 11-15-56
FINISH	NOTED
MATERIAL	NOTED

Grayhill GRAYHILL, INC.
561 HILLGROVE AVE. PHONE (708)
LA GRANGE, IL 60525 354-1040

PUSHBUTTON SWITCH

CAGE NO. 81073	B SIZE	DWG. NO.	ISSUE N
SCALE 2:1	UNIT WEIGHT	SHEET 1 OF 1	

CADAM DRAWING 35YY2003,N,01,1,1