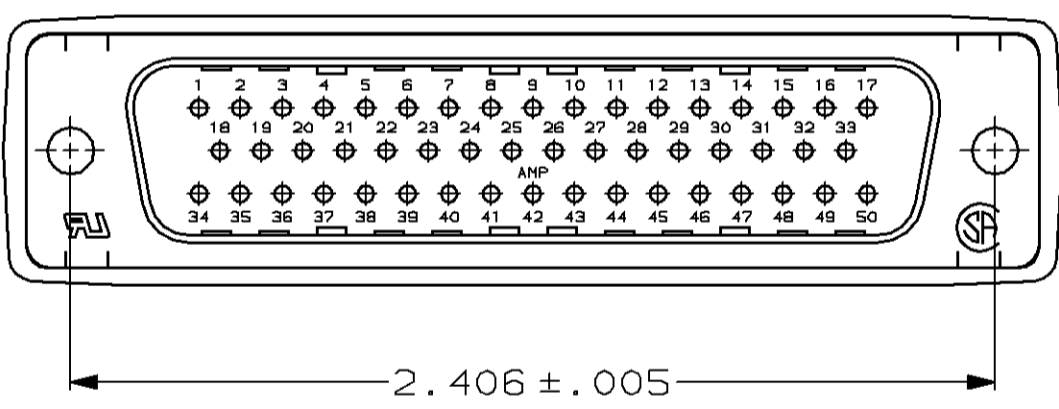
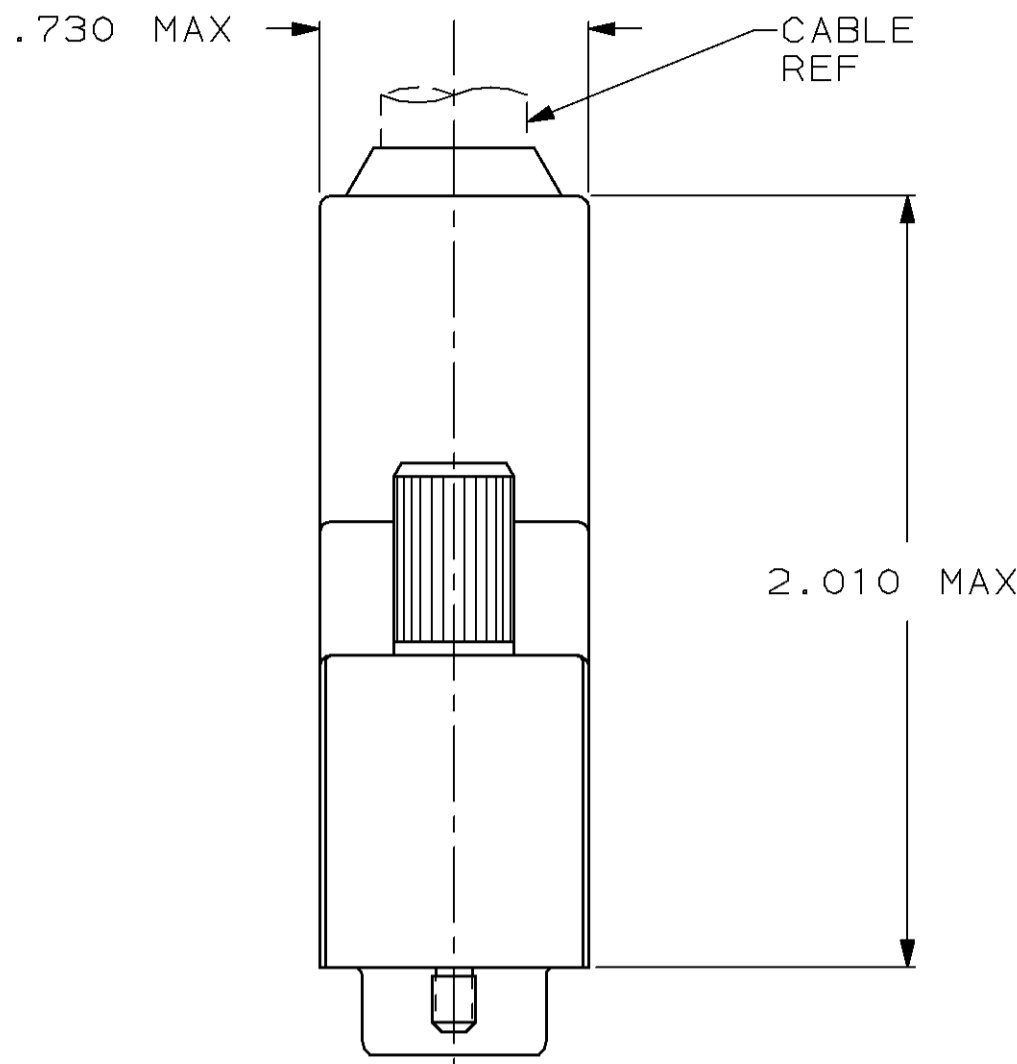
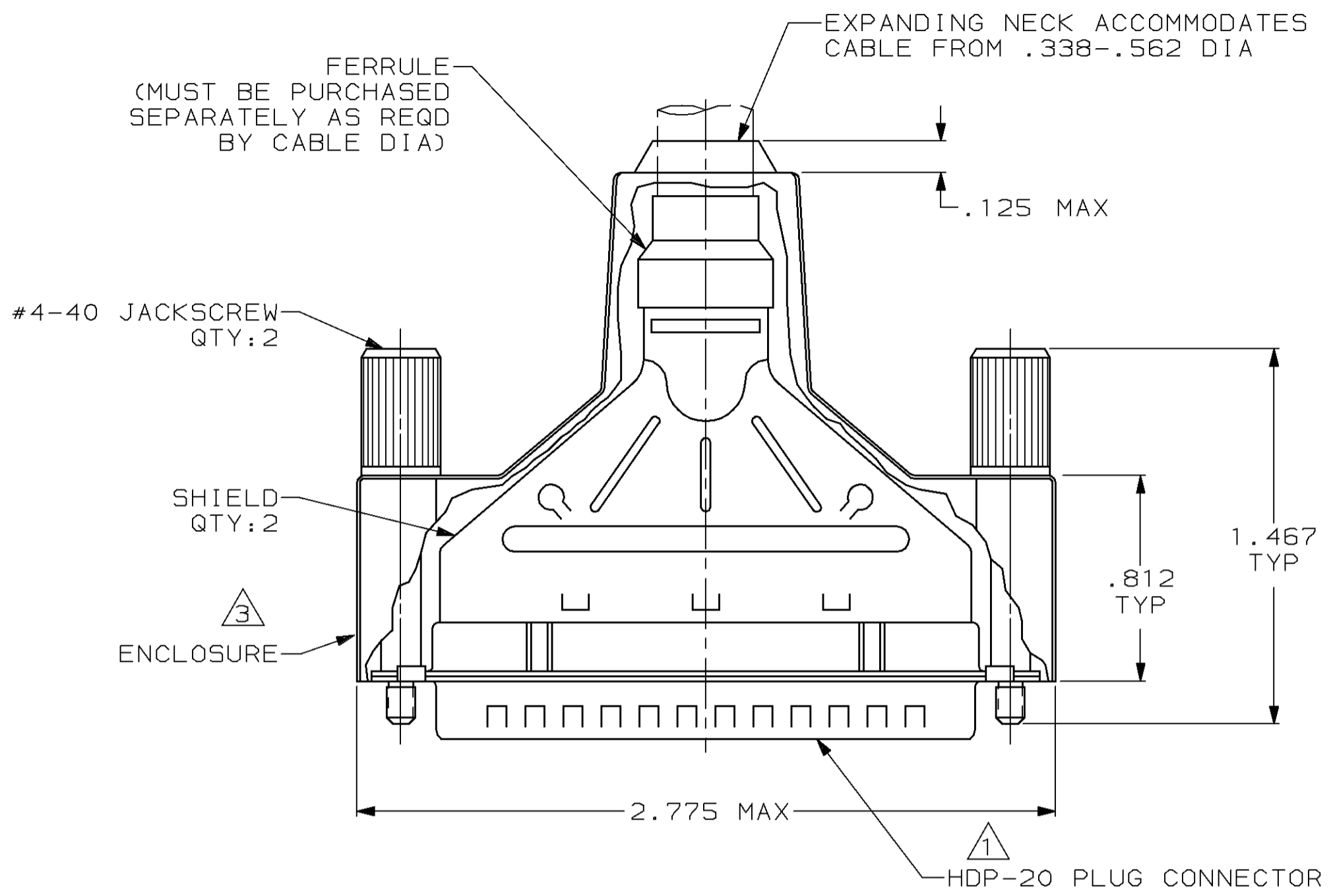


THIS DRAWING IS UNPUBLISHED. RELEASED FOR PUBLICATION ,19 .  
 © COPYRIGHT 19 BY AMP INCORPORATED. ALL INTERNATIONAL RIGHTS RESERVED.

LOC	DIST	P	F	REVISIONS			DATE	APPD
				ZONE	LTR	DESCRIPTION		
BD	48			G		REVISED PER ECN BD6133	04/02/92	TMS
				H		OBS -2 PER EC 0020-1514-93	04/15/94	LF



- ① PLUG ACCEPTS SIZE 20 DF PIN CONTACTS. CONTACTS MUST BE PURCHASED SEPARATELY.
- 2. ALL PARTS SHIPPED UNASSEMBLED.
- ③ FLAME RETARDANT 94V-0 RATED, STYRENE POLYOLEFIN OR PVC, BLACK.
- ④ FLAME RETARDANT 94V-0 RATED GLASS FILLED, NYLON OR POLYESTER, BLACK.
- ⑤ STEEL PER ASTM A109.
- ⑥ TIN PLATING PER MIL-T-10727.
- ⑦ ZINC PLATING PER ASTM B633, TYPE II, CLASS SCI, BLACK CHROMATE.
- ⑧ COMPONENTS INDIVIDUALLY BULK PACKED.
- ⑨ INDIVIDUAL KIT PACKAGING OF COMPONENTS.

OBsolete	⑨	W/LOGO	747960-3
OBsolete	⑧	W/OUT LOGO	747960-2
	⑧	W/LOGO	747960-1
PACKAGING	REMARKS	PART NUMBER	

DO NOT SCALE PRINT. UNLESS SPECIFIED DIMENSIONS IN INCHES TOLERANCES ON : 2 PLC DEC ± - 3 PLC DEC ± .020 ANGLES ± -	DR 6-5-90 J GALLUCCI B6 CHK 8-31-90 J. McCLINTON APPD 9-4-90 BOB TAYLOR APPD 9-4-90 J. ASSINI PRODUCT SPEC -	AMP INCORPORATED Harrisburg, Pa. 17105 NAME BULK KIT, PLUG, AMPLIMITE™, SHIELDING ENCLOSURE, 50 POSN, SIZE 5, HDP-20	
MATERIAL INSERT: ④ SHELLS & SHIELDS: ⑤ JACKSCREWS: ZINC ALLOY	APPLICATION SPEC - WEIGHT -		
FINISH SHELLS & SHIELDS: ⑥ JACKSCREWS: ⑦		DRAWING NO 747960	SHEET 1 OF 1