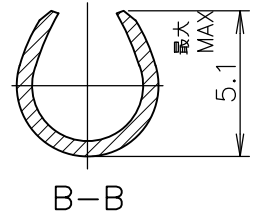
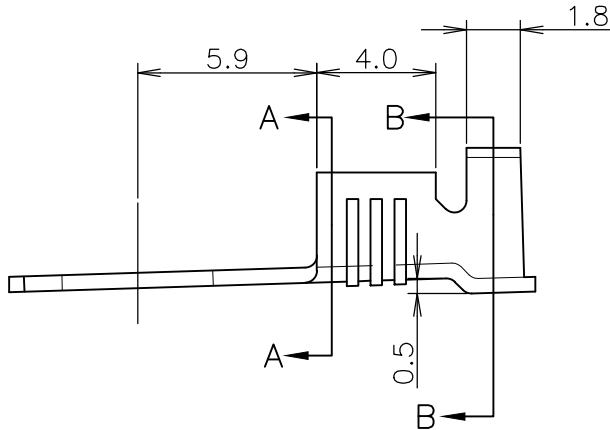
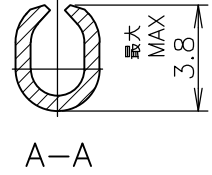
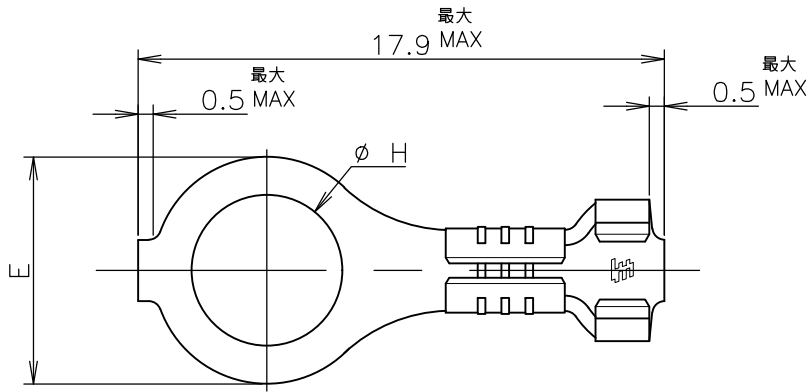


REVISIONS


P	LTR	DESCRIPTION	DATE	DWN	APVD
	C2	REVISED PER ECR-19-017984	27NOV2019	PC	MK

- -; AS SHOWN



OBSOLETE	3.68	6.5	TIN PL 錫めっき	BRASS 黄銅 0.5t	1-170011-6	1-170053-6
	3.68	▲	—H—	▲	1-170011-5	1-170053-5
OBSOLETE	4.19		TIN PL 錫めっき		1-170011-4	1-170053-4
	4.19	6.5	—H—		1-170011-3	1-170053-3
OBSOLETE	5.2	7.52	TIN PL 錫めっき		1-170011-2	1-170053-2
	5.2	▲	—H—		1-170011-1	1-170053-1
OBSOLETE	4.34		TIN PL 錫めっき		170011-8	170053-8
	4.34		—H—		170011-7	170053-7
	3.2		TIN PL 錫めっき		170011-6	170053-6
	4.19		TIN PL 錫めっき		170011-4	170053-4
OBSOLETE	4.19		—H—		170011-3	170053-3
	5.0		TIN PL 錫めっき		170011-2	170053-2
OBSOLETE	5.0	7.52	—H—	BRASS 黄銅 0.5t	170011-1	170053-1
	H±0.1	E±0.15	FINISH 仕上	MATERIAL 材料	P/N 連鎖状端子型番	LOOSE PIECE NO. ばら状端子型番
DIMENSIONS						

CLASS 分類	RING TONGUE 丸型	TYPE 型式	WIRE RANGE 包合電線断面積 AWG #18-#14 0.75~2.27 mm ²	INSULATION DIA 被覆外径 .120~.170 IN 3.05~4.32 mm ϕ
----------	----------------	---------	--	--

DIMENSIONS: 単位: 耗 mm	DWN T.TSUZAKI 19NOV2010	MATERIAL 材料 表参照 SEE TABLE	FINISH 仕上 表参照 SEE TABLE
	CHK T.MASUDA 26NOV2010		
TOLERANCES UNLESS OTHERWISE SPECIFIED: 一般公差	APVD T.MASUDA 26NOV2010	 TE Connectivity	
	PRODUCT SPEC 製品規格		
Ø PLC ± 1 PLC ± 2 PLC ± 0.4 3 PLC ± 4 PLC ± ANGLES ± 1°	APPLICATION SPEC 取付適用規格	SIZE A4	CAGE CODE 00779
WEIGHT 0.000000		DRAWING NO 番号 C-170053	RESTRICTED TO -
CUSTOMER DRAWING		SCALE 尺度 4:1	SHEET 1 OF 1 REV C2

RELEASED FOR PUBLICATION - , 1975.

ALL RIGHTS RESERVED.

© COPYRIGHT 1975 TE Connectivity Ltd.

THIS DRAWING IS UNPUBLISHED.